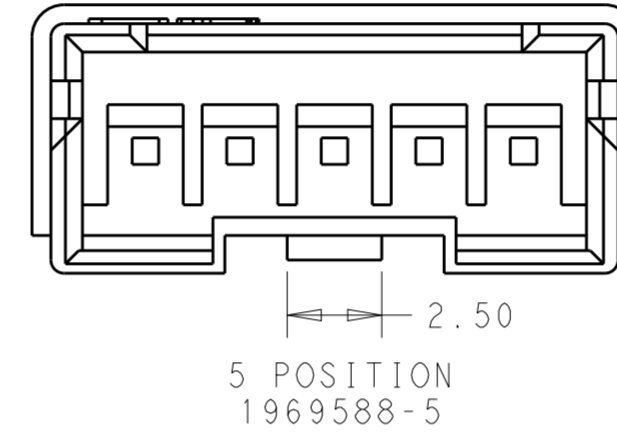
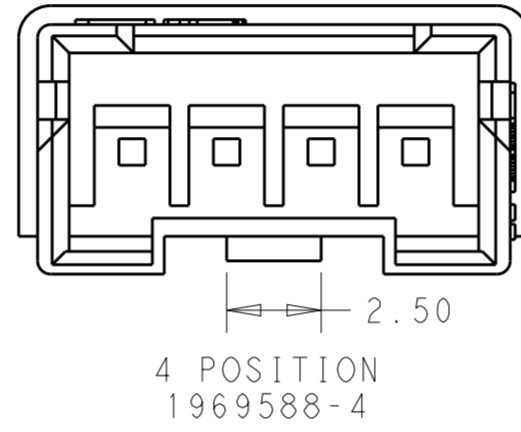
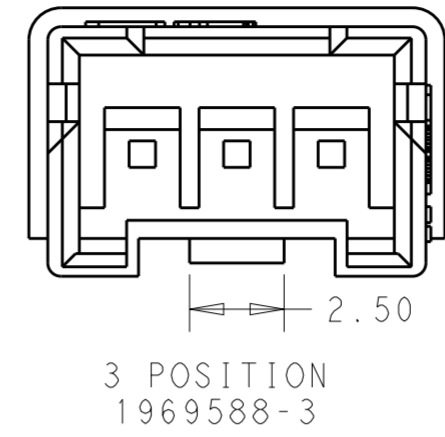
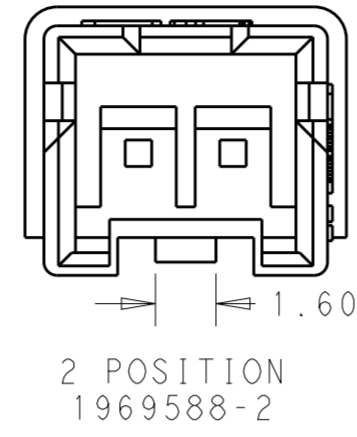
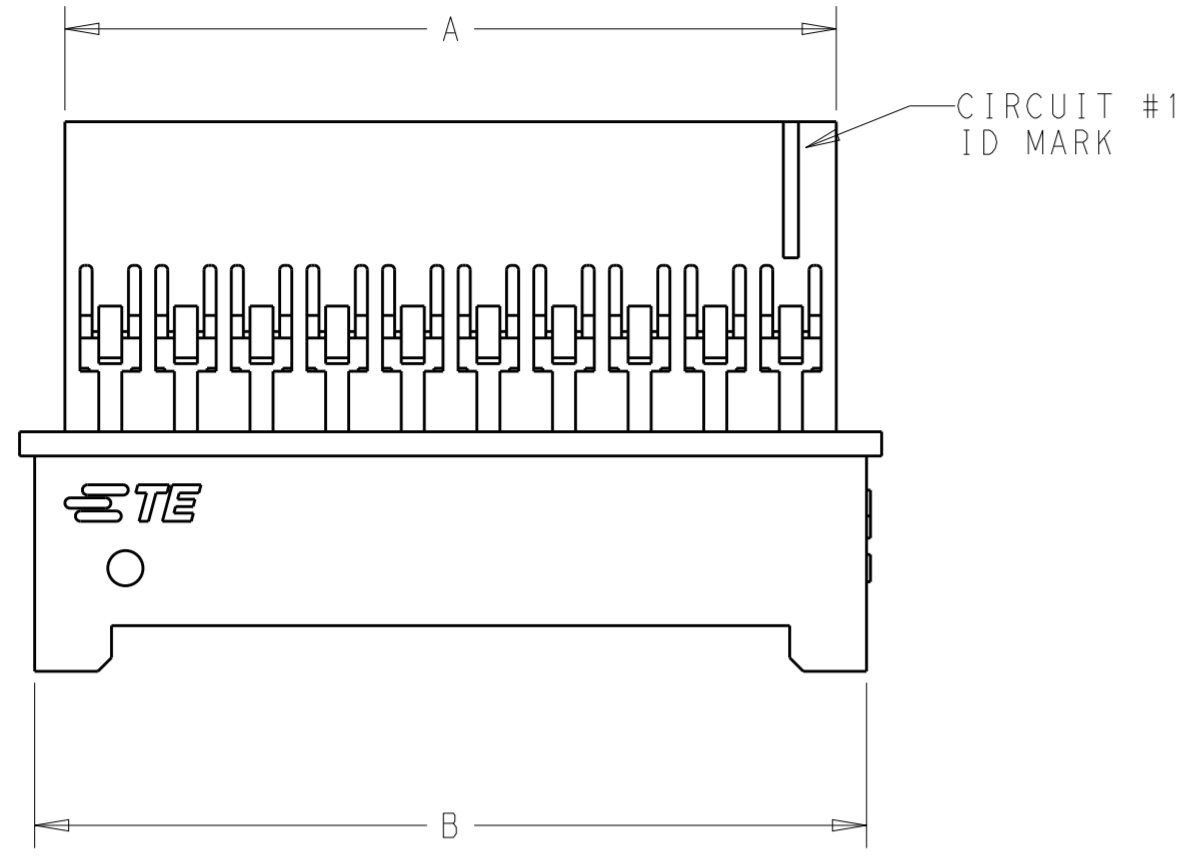
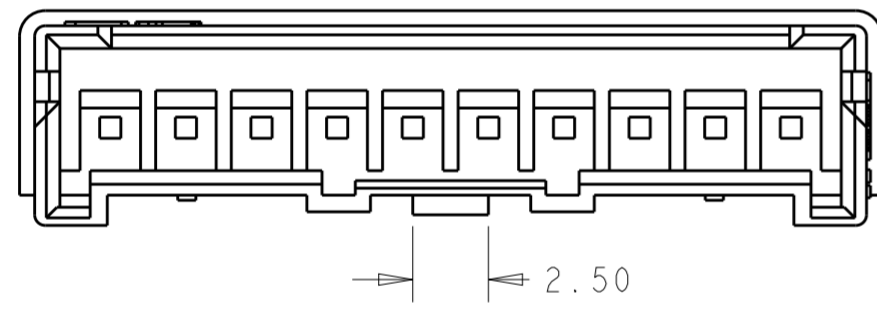


THIS DRAWING IS UNPUBLISHED. RELEASED FOR PUBLICATION
 © COPYRIGHT 20 BY - ALL RIGHTS RESERVED.

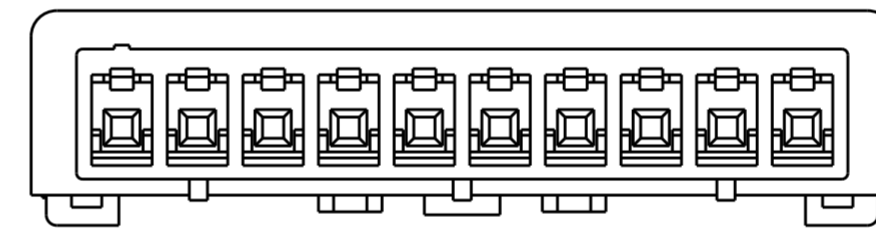
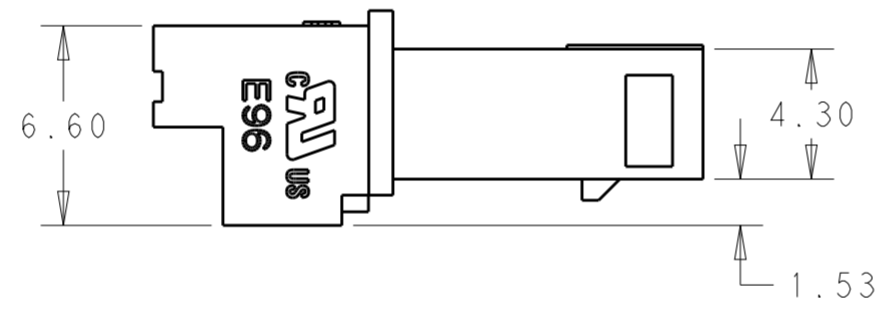
LOC		DIST		REVISIONS			
P	LTR	DESCRIPTION	DATE	DWN	APVD		
B2		REVISED PER ECR-17-007671	05JUN2017	O.C	D.Z		



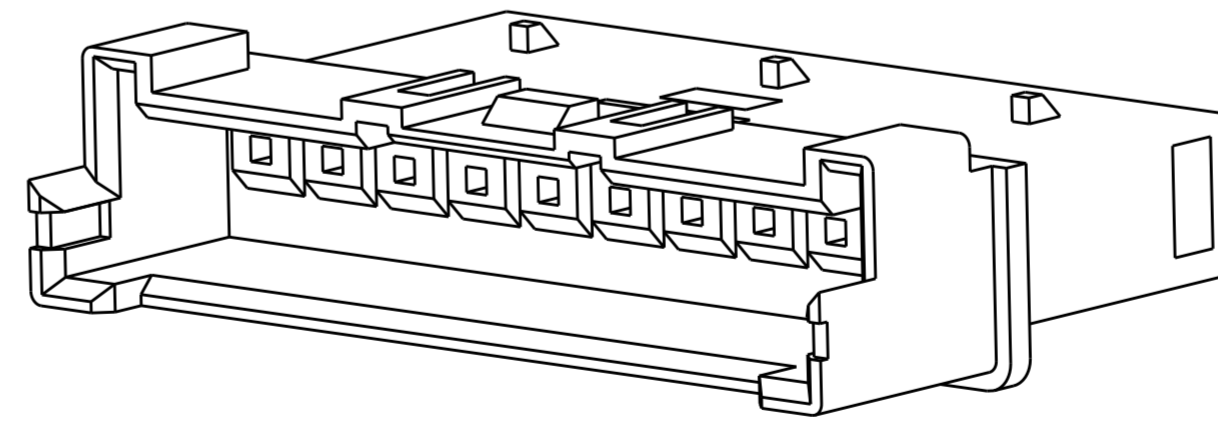
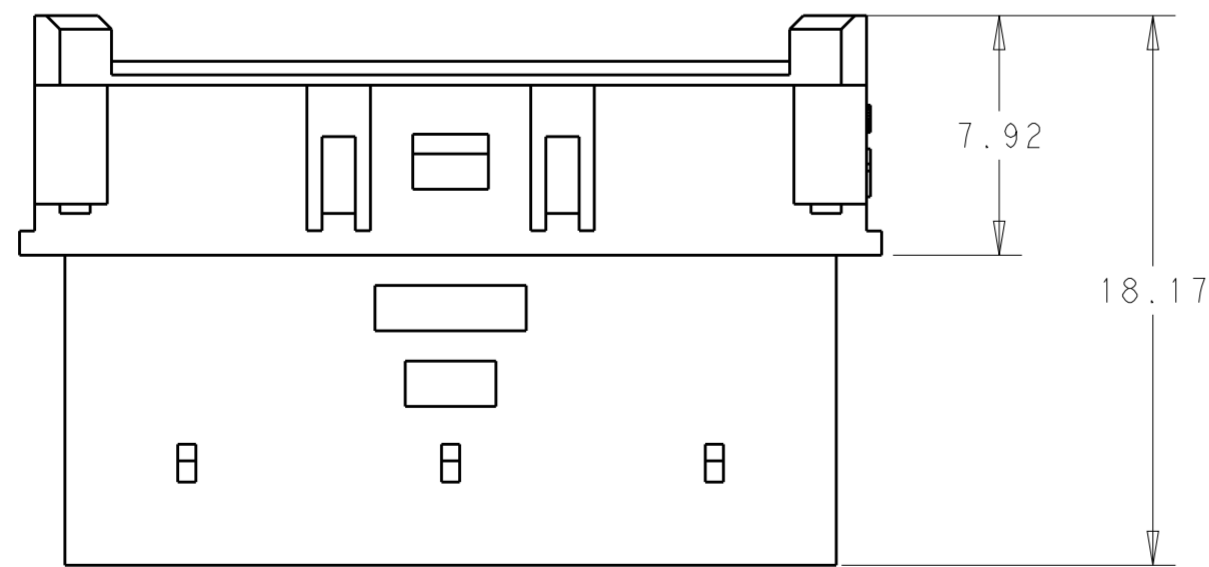
1. MATERIAL: NYLON UL94V-0, COLOR: NATURAL
2. ACCEPTS TE PIN CONTACTS P/N'S 2238007-()
3. HOUSING ACCEPTS OPTIONAL TPA P/N'S 1969443-()
4. MATES WITH TE PLUG HOUSINGS P/N'S 1969442-()



6 - 15 POSITION
1969588-6 TO 1-1969588-5



POS	DIM. B	DIM. A	PART NO.
15	40.00	38.00	1-1969588-5
14	37.50	35.50	1-1969588-4
13	35.00	33.00	1-1969588-3
12	32.50	30.50	1-1969588-2
11	30.00	28.00	1-1969588-1
10	27.50	25.50	1-1969588-0
9	25.00	23.00	1969588-9
8	22.50	20.50	1969588-8
7	20.00	18.00	1969588-7
6	17.50	15.50	1969588-6
5	15.00	13.00	1969588-5
4	12.50	10.50	1969588-4
3	10.00	8.00	1969588-3
2	7.50	5.50	1969588-2



SCALE 5:1

THIS DRAWING IS A CONTROLLED DOCUMENT.		DWN A. NOEL	030C2012
DIMENSIONS: mm		CHK -	APVD -
TOLERANCES UNLESS OTHERWISE SPECIFIED: 0 PLC ± 1 PLC ± 2 PLC ±0.20 3 PLC ± 4 PLC ± ANGLES ± FINISH		PRODUCT SPEC 108-2418	APPLICATION SPEC 114-13315
MATERIAL SEE NOTES		WEIGHT -	CUSTOMER DRAWING
TE Connectivity		ECONOMY POWER 2.5, HOUSING WIRE TO WIRE	
SIZE A2	CAGE CODE 00779	DRAWING NO. C-1969588	RESTRICTED TO -
SCALE 3:1		SHEET 1 OF 1	REV B2