

THIS DRAWING IS UNPUBLISHED.

RELEASED FOR PUBLICATION

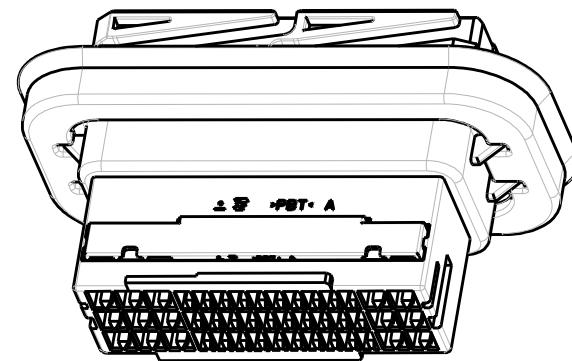
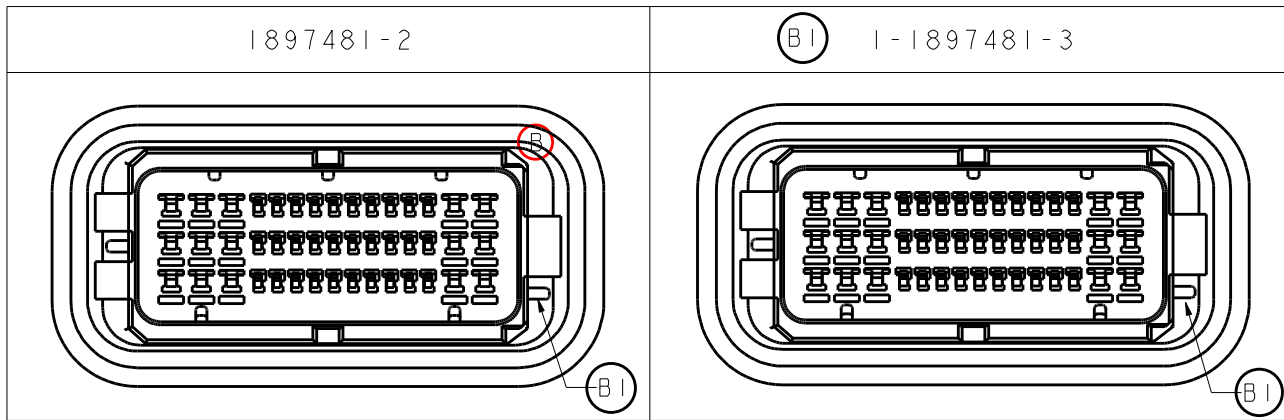
20

© COPYRIGHT 20 BY -

ALL RIGHTS RESERVED.

REVISIONS

P	LTR	DESCRIPTION	DATE	DWN	APVD
	B1	REVISED(ECR-13-019612)	29. JUL. '13	GC	HG



ISO VIEW

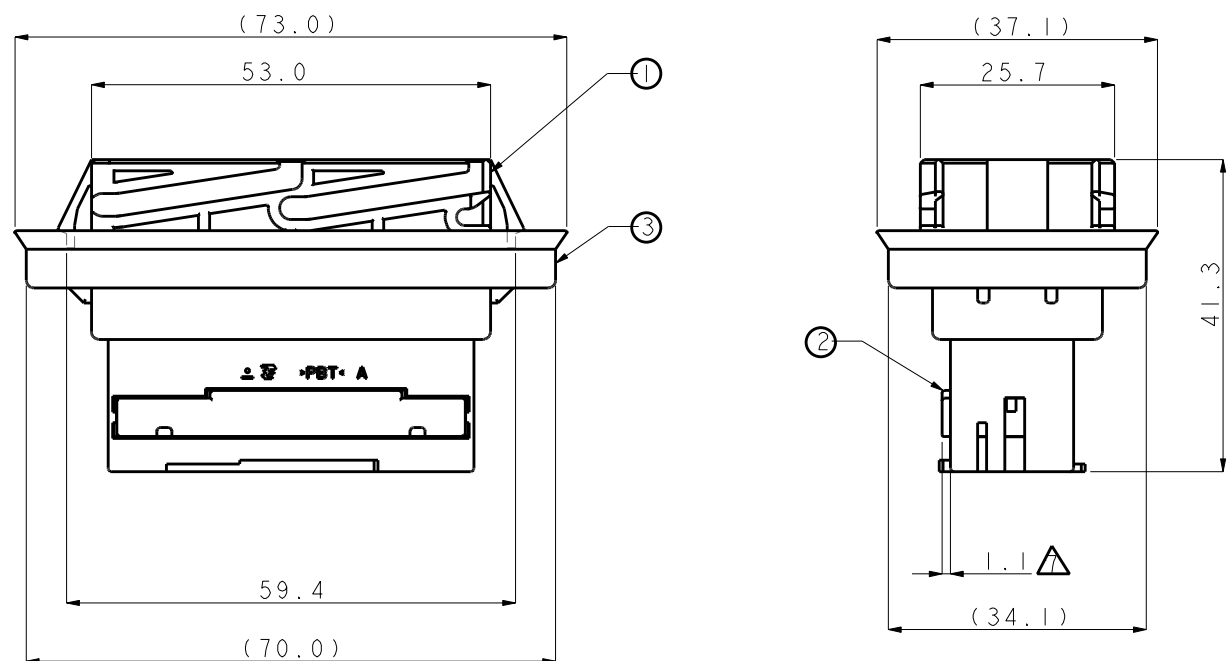


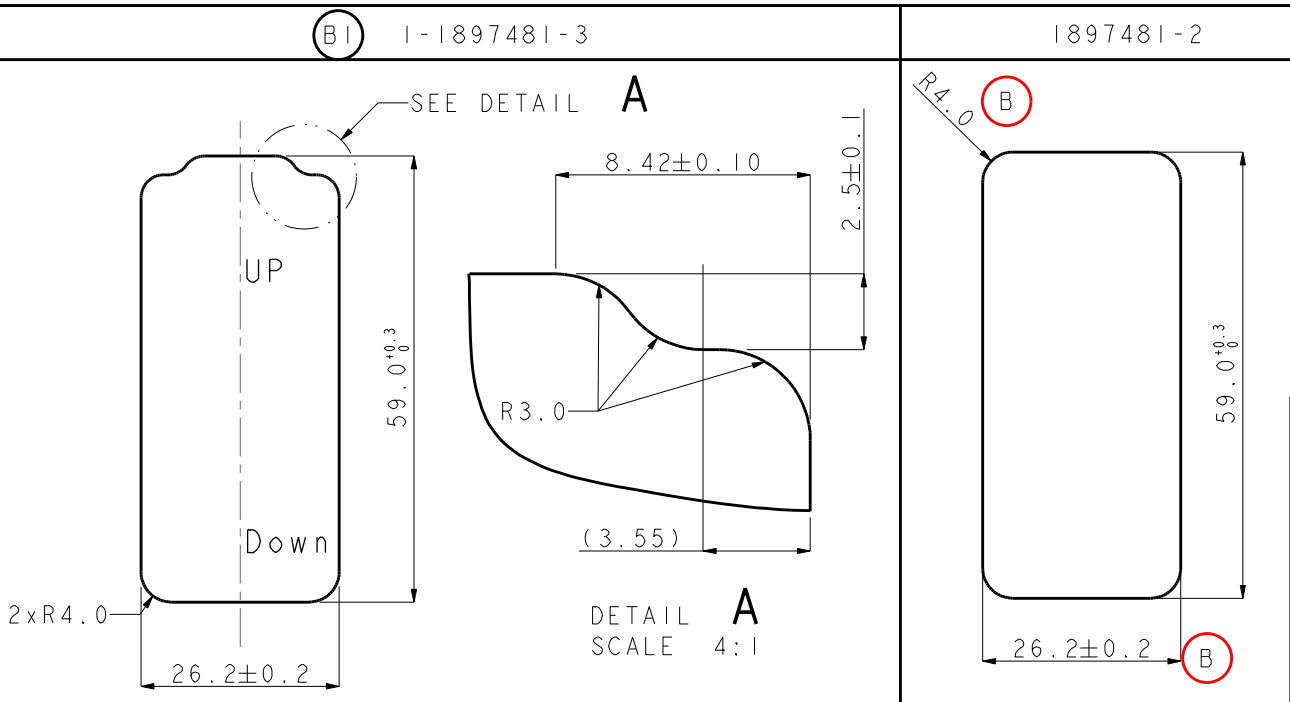
TABLE 1. APPLICABLE TAB CONTACT.

TAB	PART NO.	WIRE RANGE		WIRE TYPE
		AWG	mm ²	
040	353537-1	22-20	0.3-0.5	AVSS
090	368088-1	22-20	0.3-0.5	
	368087-1	18-16	0.85-1.25	
	368086-1	14	2.0	

NOTE ;

1. GENERAL TOLERANCE : $\pm 0.3, \pm 3.0^\circ$
 2. APPLICABLE PANEL SIZE : SEE FIG. 1
 3. APPLICABLE PANEL THICKNESS : 0.7 mm
 4. APPLICABLE TAB CONTACT : SEE TABLE 1.
 5. THE MATING PLUG ASS'Y P/N : 1897486
 6. THE MATING COVER P/N : 1897485
- ▲ DBL SUPPLY CONDITION : 1ST LOCKING.

NO.	PART NO.	DESCRIPTION	MATERIAL	COLOR	Q'TY
3	1897484-2	PANEL SEAL	EPDM	BLACK	1
2	1897483-1	CAP DBL	PBT	WHITE	1
B1	1-1897482-3	CAP HSG	PBT	GRAY	1
1	1897482-2	CAP HSG	PBT	BLACK	1



B1 Fig. 1 APPLICABLE PANEL SIZE

THIS DRAWING IS A CONTROLLED DOCUMENT.

DIMENSIONS:	TOLERANCES UNLESS OTHERWISE SPECIFIED:
mm	
	0 PLC ±0.5
	1 PLC ±0.13
	2 PLC ±0.13
	3 PLC ±0.013
	4 PLC ±0.0001
	ANGLES ±
MATERIAL	FINISH
-	-

DWN GC KWON 11JAN2010

CHK KT LIM

APVD JK SONG

PRODUCT SPEC

APPLICATION SPEC

WEIGHT



CAP HSG ASS'Y FOR HYB(040/090) DOOR 45P

SIZE	CAGE CODE	DRAWING NO	RESTRICTED TO
A300779	C=1897481		-

CUSTOMER DRAWING SCALE 1:1 SHEET 1 OF 1 REV B1

D
C
B
A