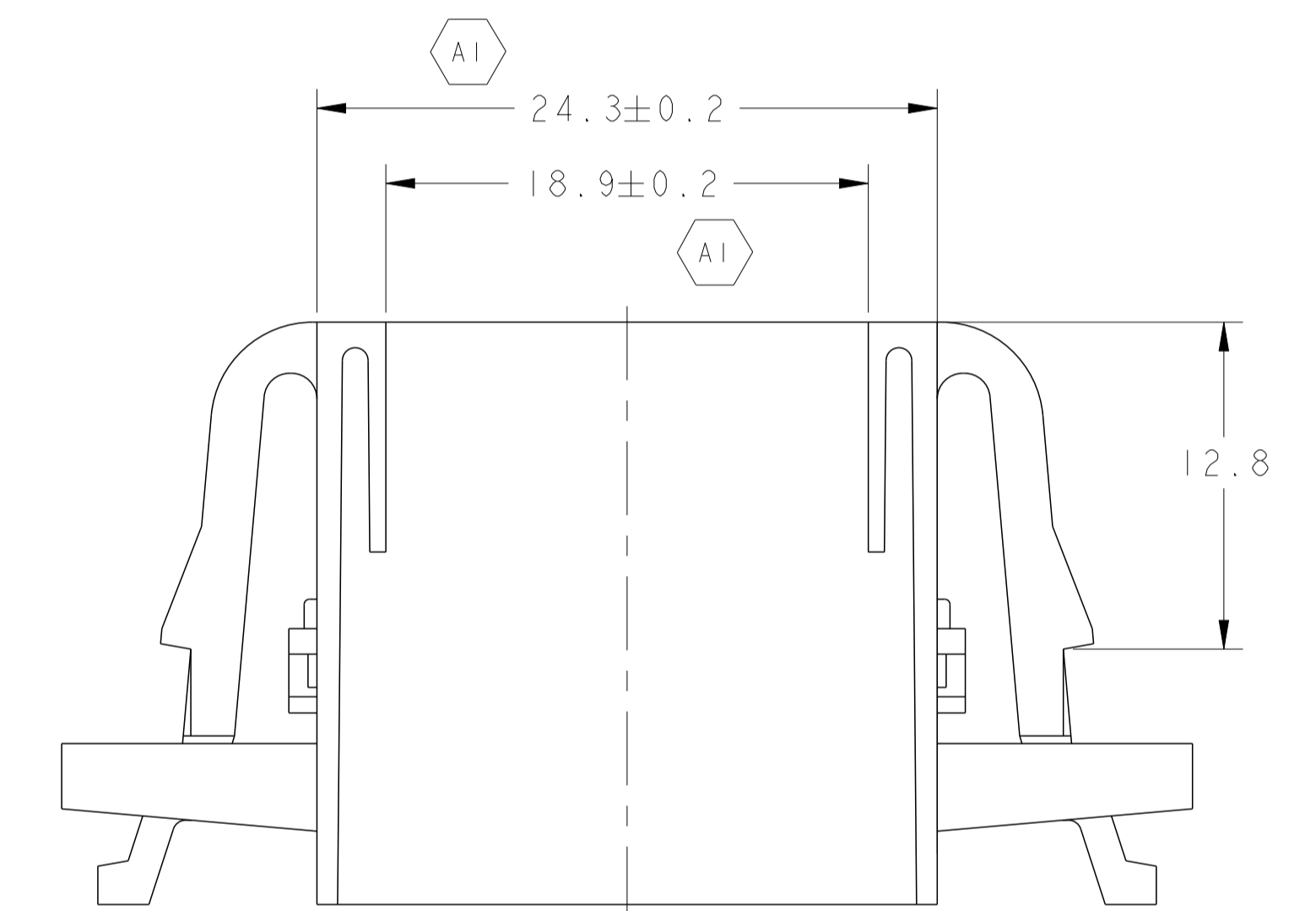
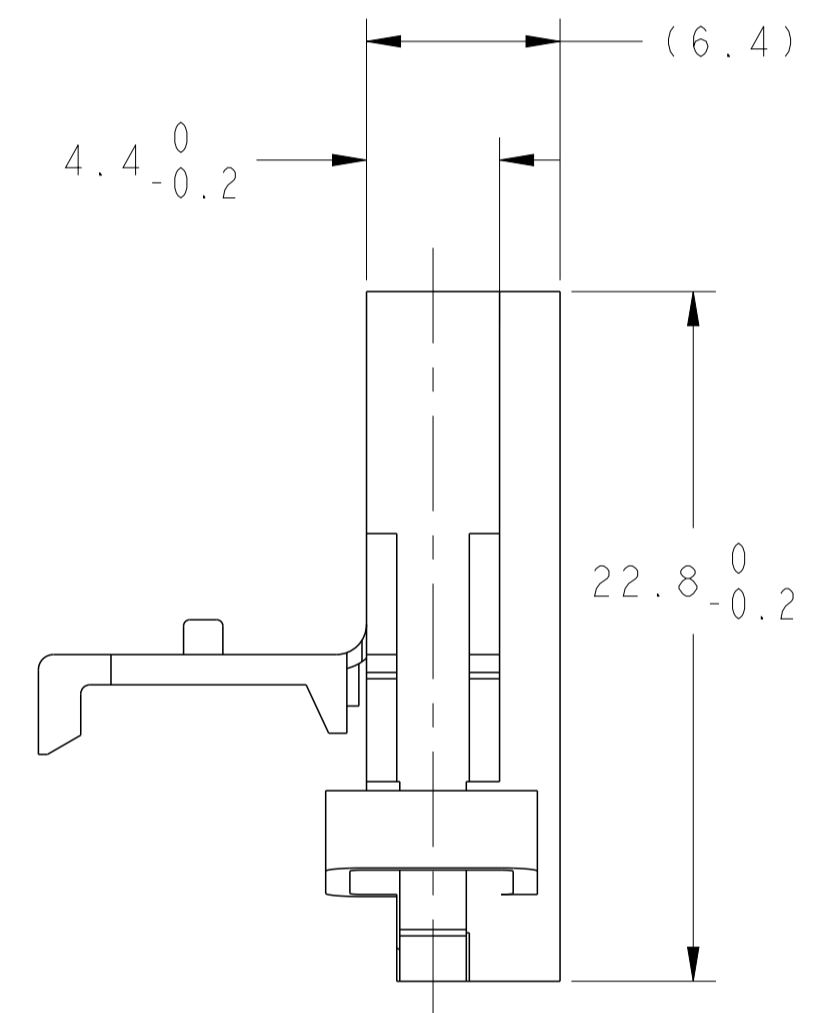
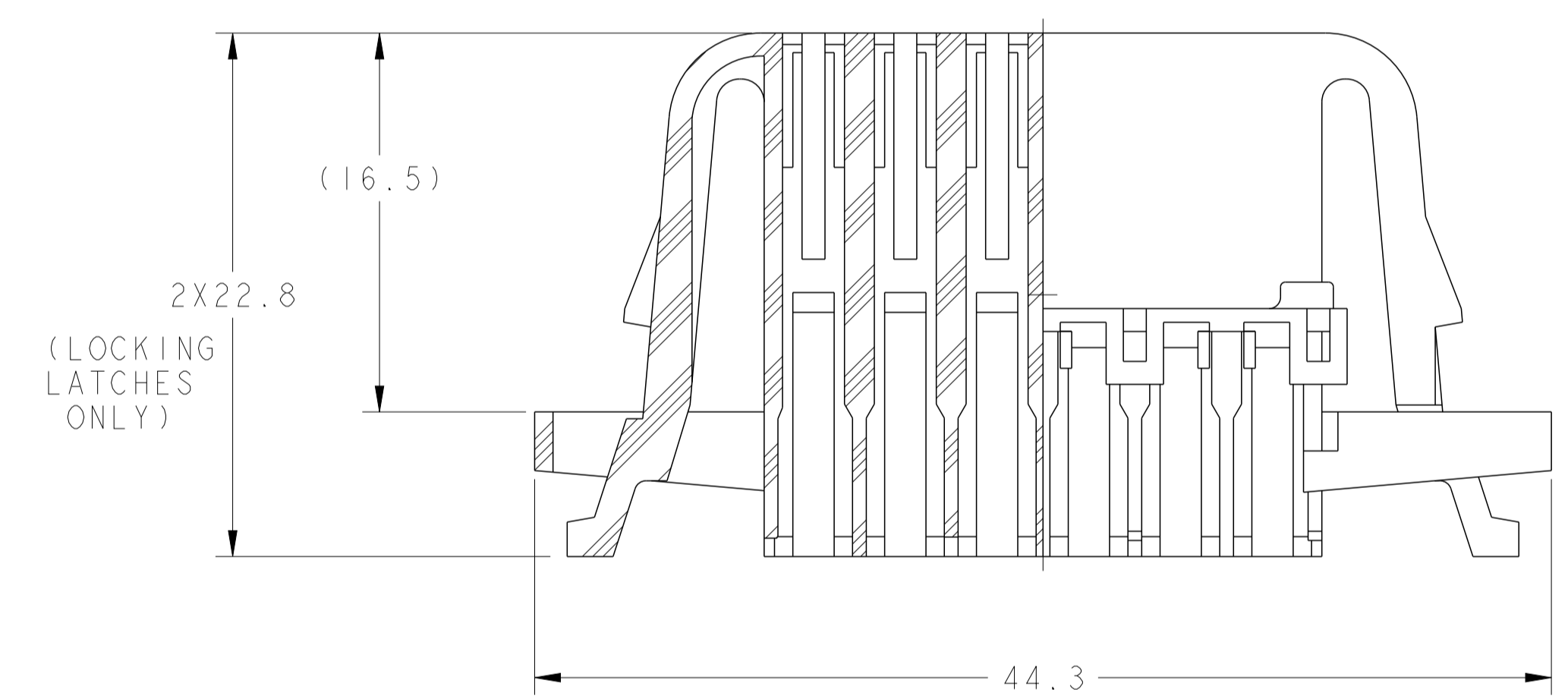
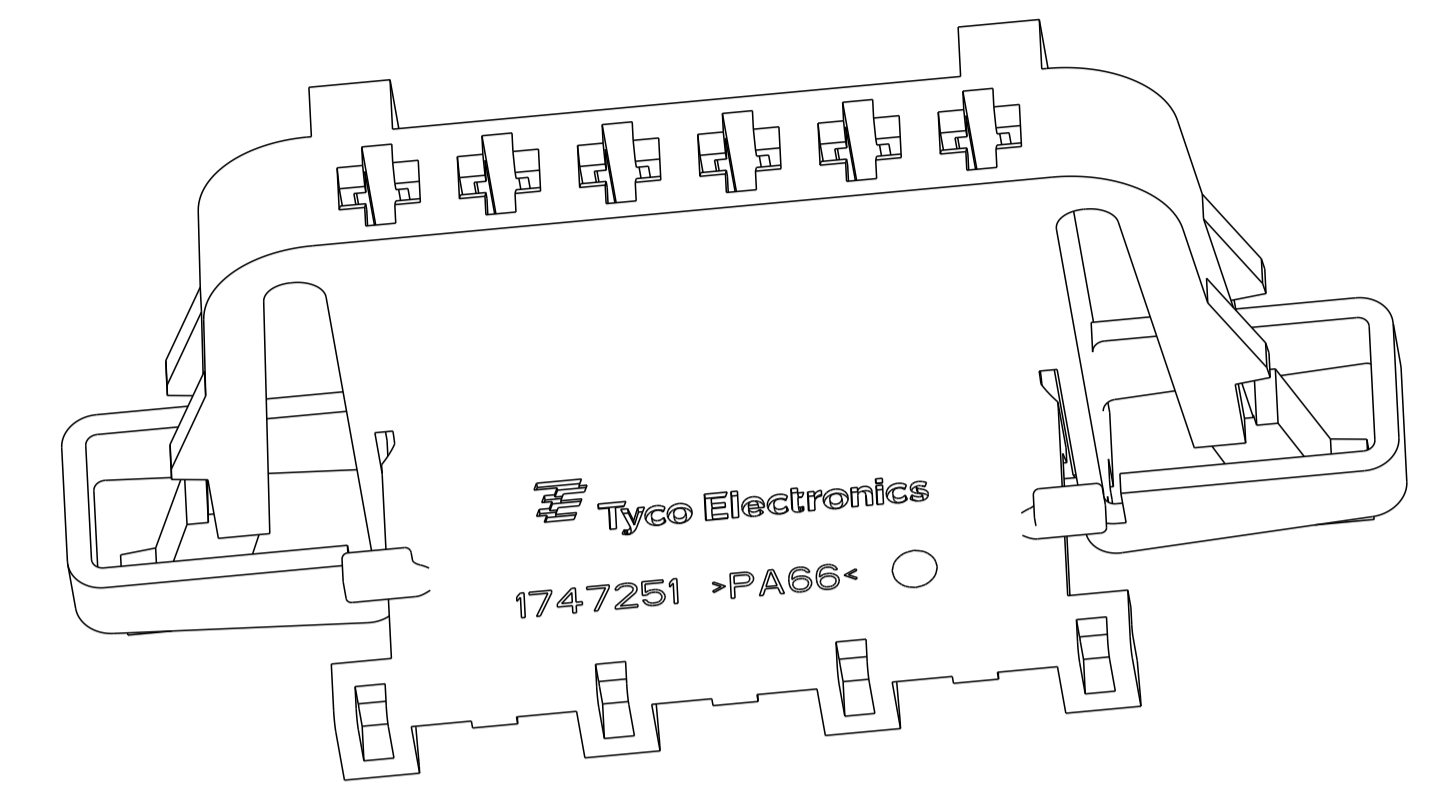
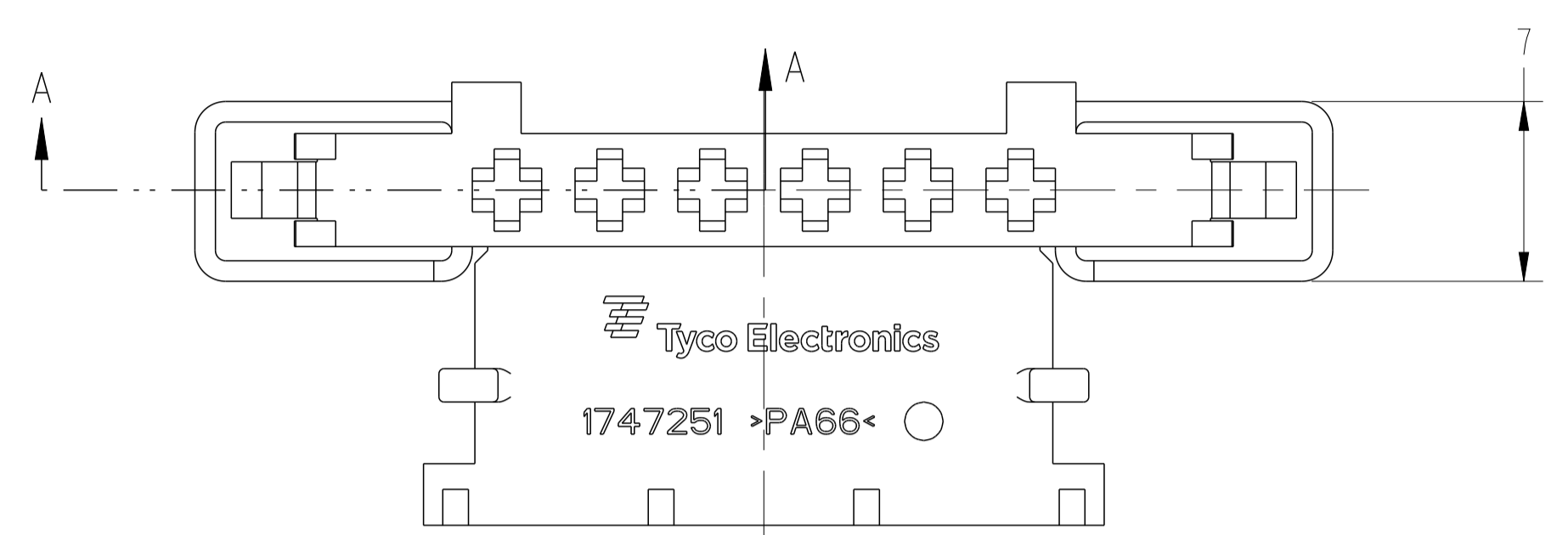
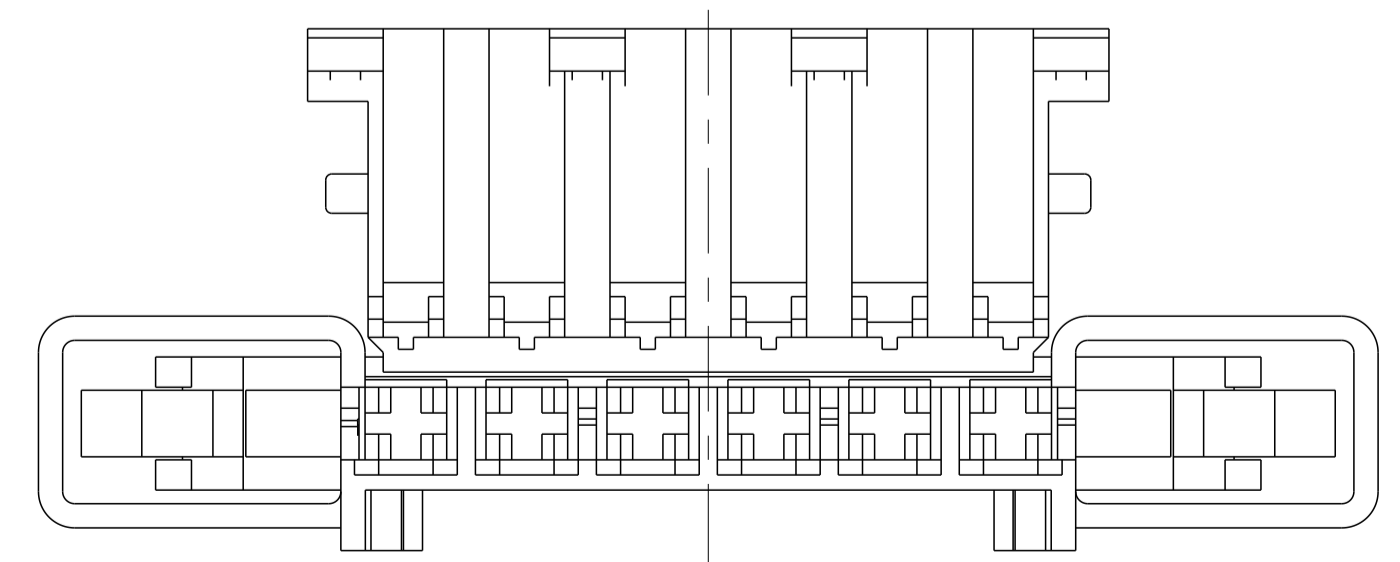


LOC	DIST	REVISIONS			
P	LTH	DESCRIPTION	DATE	DWN	APVD
A		RELEASED	17JUN10	J.C	K.O
A1		ECR-19-003031	21FEB2019	J.L	I.Y



SECTION A-A



- NOTE:  
 1. MATES WITH TERMINAL TE P/N 964263-2  
 2. BULK PACKAGE  
 3. REFER TO TE DRAWING 114-32218 FOR MATING INTERFACE DETAILS



<small>THIS DRAWING IS UNPUBLISHED. RELEASED FOR PUBLICATION 20. COPYRIGHT 20 BY TYCO ELECTRONICS CORPORATION. ALL INTERNATIONAL RIGHTS RESERVED.</small>		DWN J. CHEN 17JUN2010 CHK A. GUANCO 17JUN2010 APVD K. QDA 17JUN2010	Tyco Electronics Shanghai, China
DIMENSIONS: mm 	TOLERANCES UNLESS OTHERWISE SPECIFIED: 0 PLC ± 1 PLC ±0.2 2 PLC ± 3 PLC ± 4 PLC ± ANGLES ±1° FINISH -	NAME PRODUCT SPEC 108-101141 APPLICATION SPEC	MT 6POSN PLUG HSG
MATERIAL PA66	WEIGHT 4.1g	SIZE CAGE CODE DRAWING NO A100779C=1747251	RESTRICTED
CUSTOMER DRAWING		SCALE 4:1	SHEET 1 OF 1 REV A1