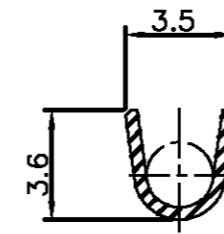
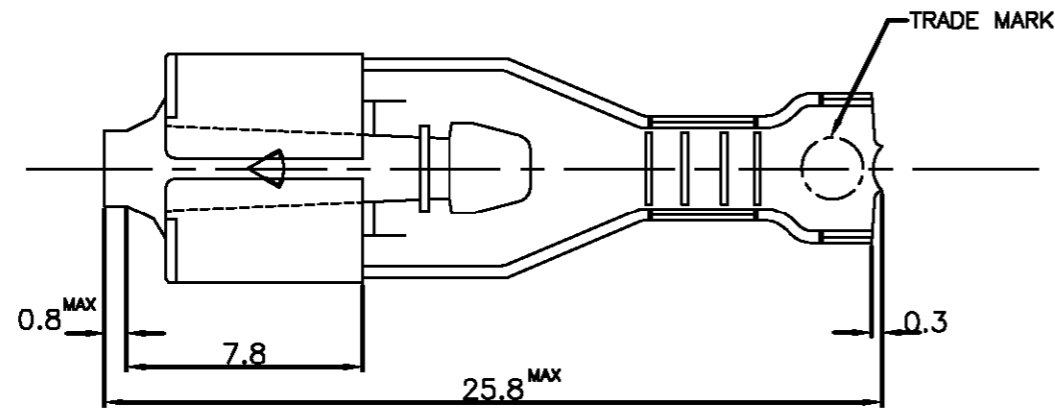


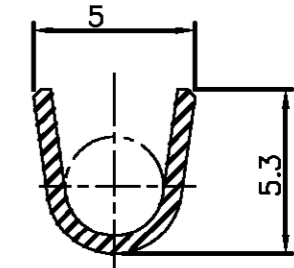
THIS DRAWING IS UNPUBLISHED. RELEASED FOR PUBLICATION

© COPYRIGHT BY TYCO ELECTRONICS CORPORATION. ALL RIGHTS RESERVED.

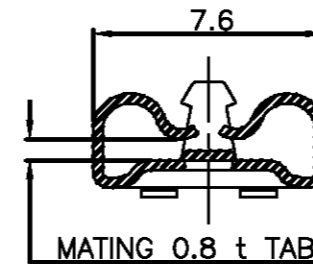
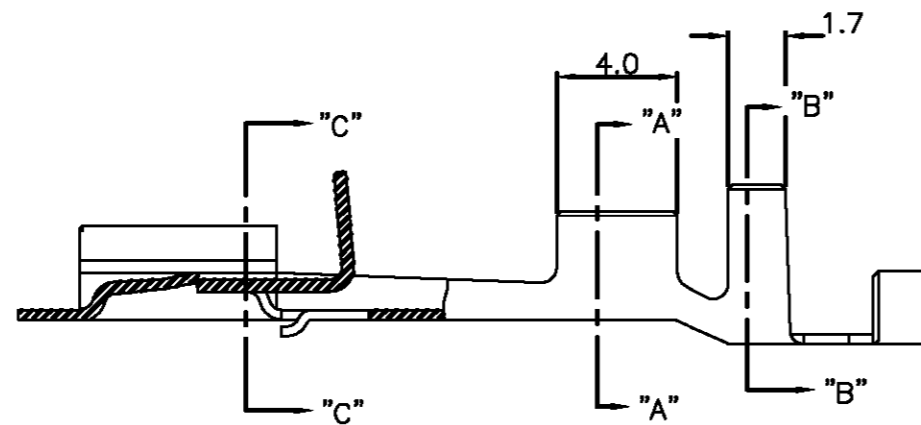
LOC	DIST	REVISIONS					
		P	LTR	DESCRIPTION	DATE	DWN	APVD
DS			A	RELEASED	19.JUL'05	SC	JK



SECT "A"- "A"



SECT "B"- "B"



SECT "C"- "C"

NOTES;

1. APPLICABLE PLUG HSG: 1743419-1,2,4,6

WIRE RANGE (AWG #18-#14) 0.76~2.09 mm ²	INSULATION DIA. 2.2~3.4 mm	PRE-TIN BRASS	1743457-1
		MATERIAL	P/N

<small>THIS DRAWING IS A CONTROLLED DOCUMENT FOR TYCO ELECTRONICS CORPORATION. IT IS SUBJECT TO CHANGE AND THE CONTROLLING ENGINEERING ORGANIZATION SHOULD BE CONTACTED FOR THE LATEST REVISION.</small>		DWN SC. KIM	AMP KOREA. kyungsan, korea	
DIMENSIONS: MM		CHK BW. KANG		
TOLERANCES UNLESS OTHERWISE SPECIFIED: ±0.2		APVD JK. SONG	NAME 250 SERIES POSITIVE LOCK MARKII RECEP.	
3rd ANGLE PROJECTION		PRODUCT SPEC 108-61068	SIZE A3	
MATERIAL -		APPLICATION SPEC ---	CAGE CODE 00779	DRAWING NO 1743457
FINISH -		WEIGHT ---	RESTRICTED TO	SCALE 4:1 SHEET 1 OF 1 REV A