

4

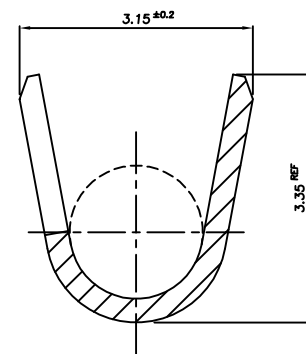
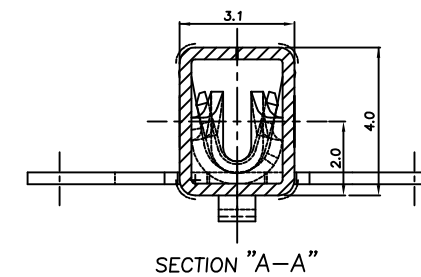
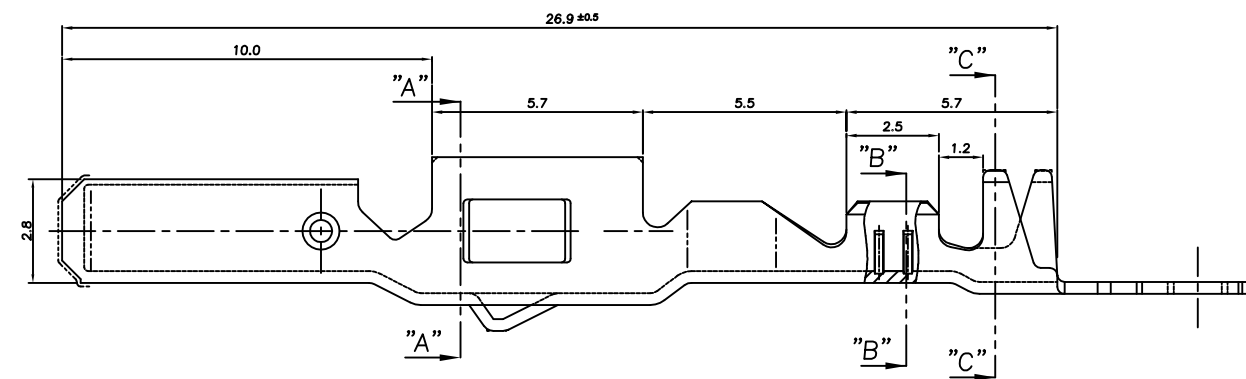
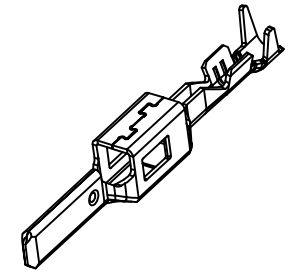
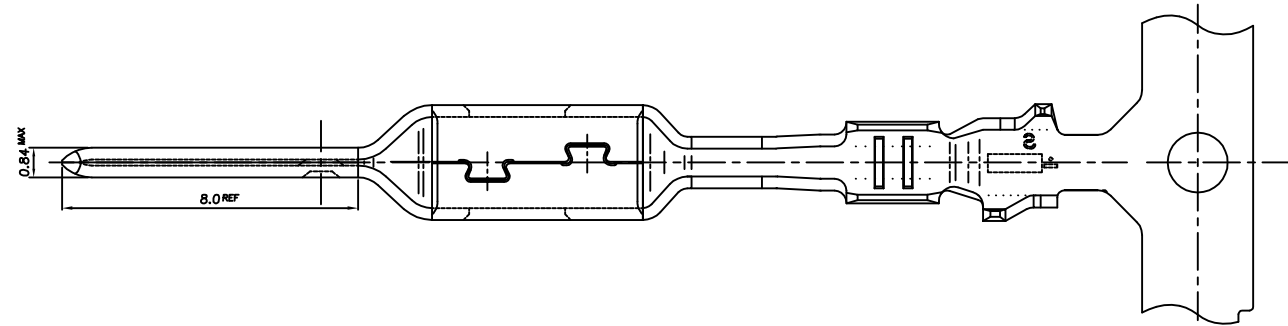
3

2

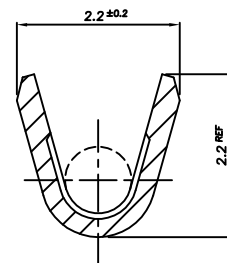
1

THIS DRAWING IS UNPUBLISHED. RELEASED FOR PUBLICATION
COPYRIGHT BY TYCO ELECTRONICS CORPORATION. ALL RIGHTS RESERVED.

LOC	DIST	REVISIONS					
		P	LTR	DESCRIPTION	DATE	DWN	APVD
DS	-		A1	REVISED (ECR-11-005815)	22.MAR.'11	KT	HG



SECTION "C-C"
SCALE 10/1



SECTION "B-B"
SCALE 10/1

NOTE;

- 1. WIRE SIZE EQUIV 0.3 ~ 0.5SQ
- APPLICATION SPEC: 114-61033

THIS DRAWING IS A CONTROLLED DOCUMENT FOR TYCO ELECTRONICS CORPORATION
IT IS SUBJECT TO CHANGE AND THE CONTROLLING ENGINEERING ORGANIZATION
SHOULD BE CONTACTED FOR THE LATEST REVISION.

DIMENSIONS: MM	TOLERANCES UNLESS OTHERWISE SPECIFIED: 0 <XX<10 ± 0.25 10<XX<30 ± 0.3 ANGLES ± 3°
MATERIAL SEE TABLE	FINISH SEE TABLE

PRE-TINNED	BRASS 0.32THK.	1743423-1
FINISH	MATERIAL	PART NO
DWN KT JUNG CHK KT LIM	TE Connectivity	
APVD HG CHD		
PRODUCT SPEC -	NAME 2.8mm MCP-E NON-SEALED TAB CONTACT (S)	
APPLICATION SPEC 114-61033	SIZE A3	CAGE CODE 00779
WEIGHT -	DRAWING NO C-1743423	RESTRICTED TO -
CUSTOMER DRAWING		SCALE 5/1 SHEET 1 OF 1 REV A1