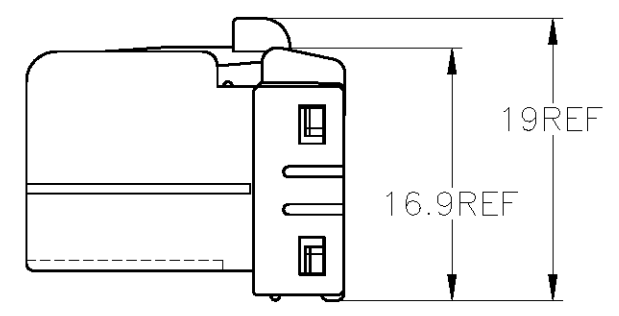
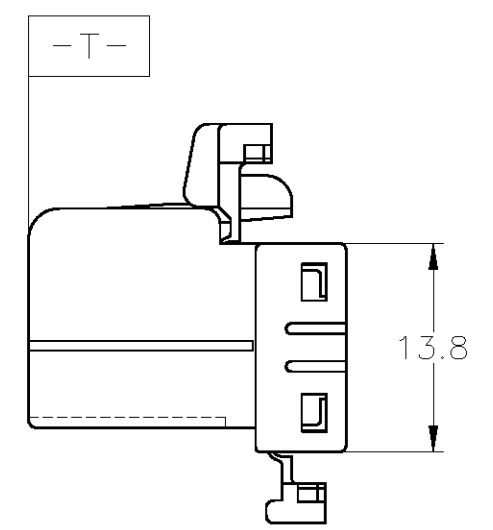
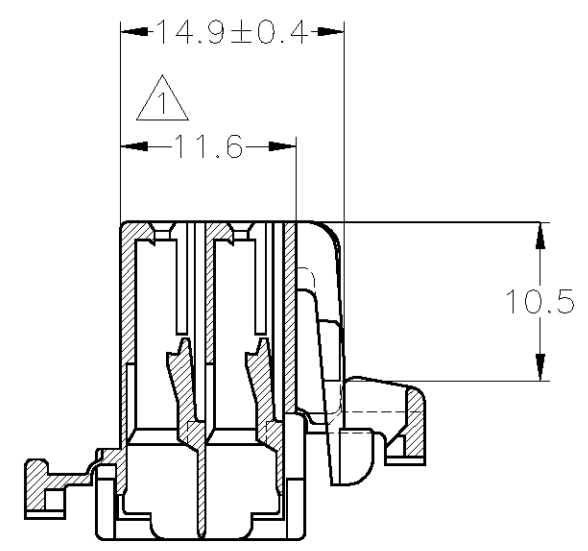
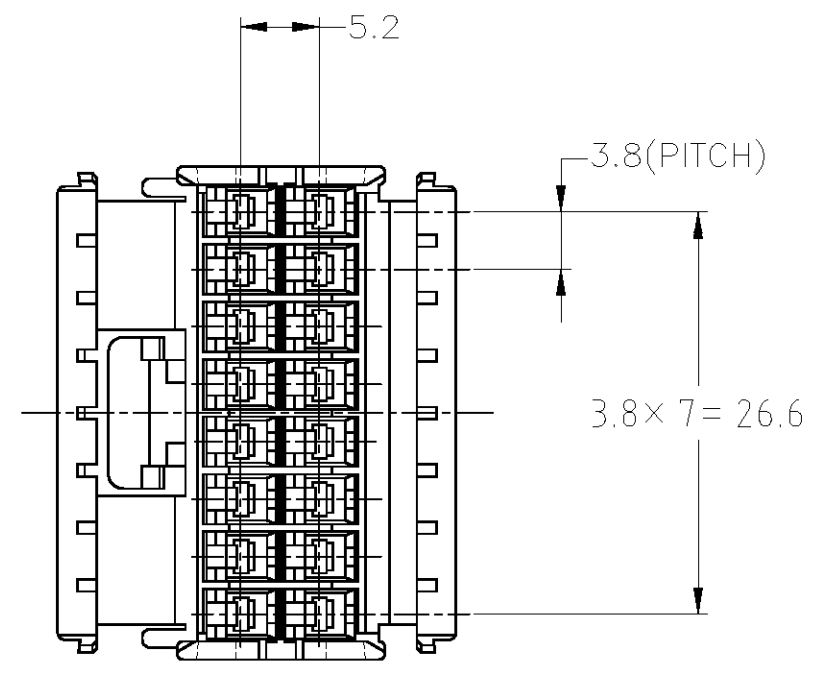
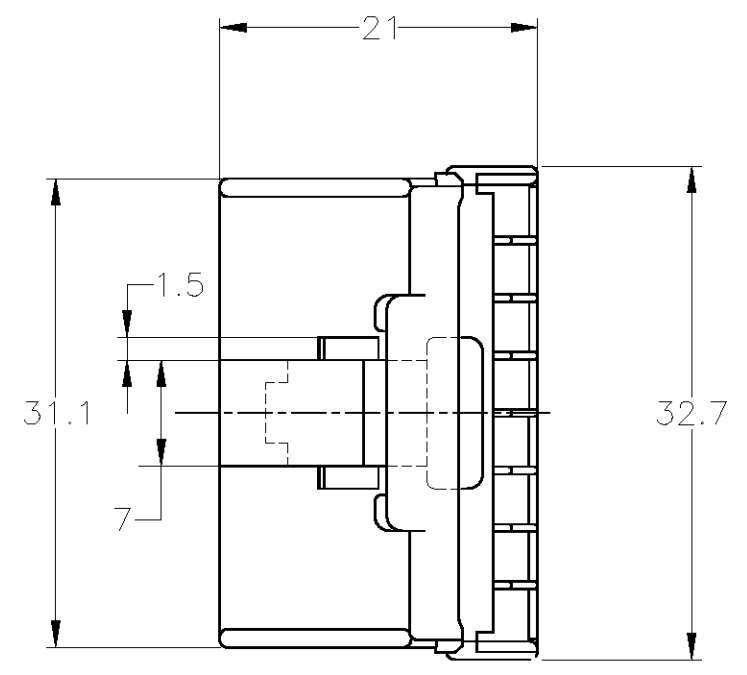
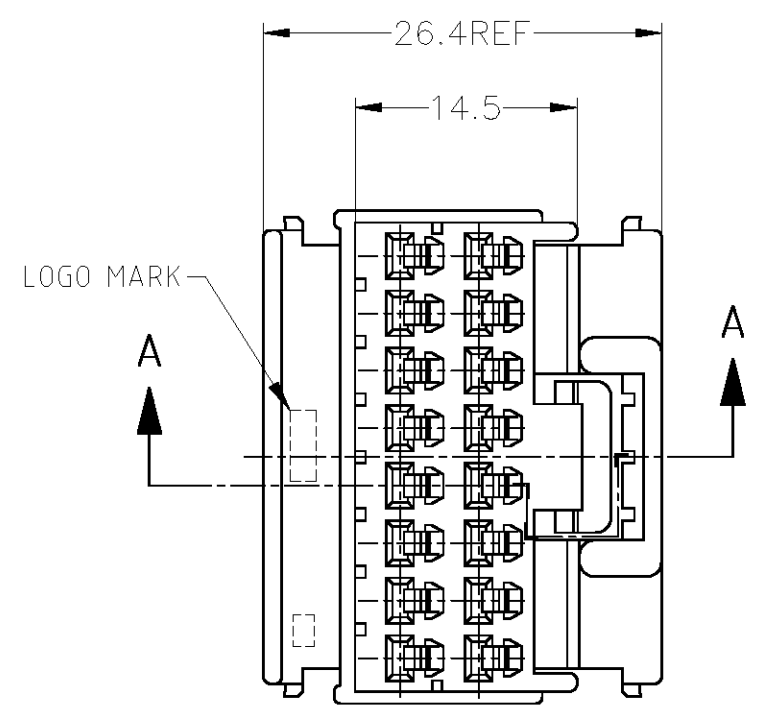


THIS DRAWING IS UNPUBLISHED. RELEASED FOR PUBLICATION  
 © COPYRIGHT - By - ALL RIGHTS RESERVED.

LOC	DIST	REVISIONS					
		P	LTR	DESCRIPTION	DATE	DWN	APVD
J	-	B1	REVISED	ECR-13-018510	07JAN2014	TS	KB



二重ロック時  
DOUBLE LOCKED

BLACK	174147-2
COLOR	PART NUMBER

- ①. [-T-] 面より2mmの範囲で測定。
- 2. 内装するコンタクト型番：173708, 175221
- 3. 嵌合相手ハウジング型番：174149

- ①. TO BE MEASURED WITHIN 2mm FRPM [-T-]
- 2. APPLIED CONTACT PART NUMBER: 173708, 175221
- 3. THE MATING CAP HOUSING NUMBER: 174149

TOLERANCE UNLESS OTHERWISE SPECIFIED	
一般公差	
10 ≥	: ± 0.2
30 ≥ > 10	: ± 0.25
100 ≥ > 30	: ± 0.3
ANGLE	: ± 3°

THIS DRAWING IS A CONTROLLED DOCUMENT.		DWN S.FUJITA 14NOV08	TE Connectivity 16 POSITION 070 PLUG HOUSING 040/070 COMBI TYPE MULTILOCK CONNECTOR				
DIMENSIONS: mm		CHK K.BETSUI 14NOV08					
TOLERANCES UNLESS OTHERWISE SPECIFIED:		APVD K.BETSUI 14NOV08					
0 PLC ± - 1 PLC ± - 2 PLC ± - 3 PLC ± - 4 PLC ± - ANGLES ± -		PRODUCT SPEC 108-5244					
MATERIAL PBT	FINISH -	APPLICATION SPEC 114-5109, -5156	NAME	SIZE	CAGE CODE	DRAWING NO	RESTRICTED TO
		WEIGHT 5.6g	108-5244	A3	00779	C-174147	-
CUSTOMER DRAWING			SCALE 2:1	SHEET 1 OF 1	REV B1		