

THIS DRAWING IS UNPUBLISHED.

RELEASED FOR PUBLICATION

© COPYRIGHT

ALL RIGHTS RESERVED.

LOC J DIST -

REVISIONS

変更

DESCRIPTION

DATE

DWN

APVD

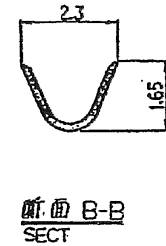
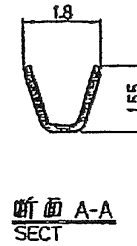
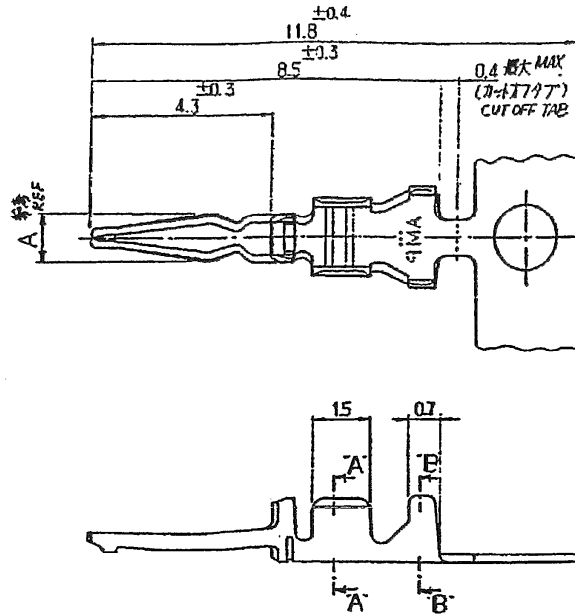
P C2

REVISED PER ECR-14-013099

09DEC2014

NK

GJ



NOTES:

1. APPLICABLE HDR HSG :172520(2.5PITCH)  
:172890(2.0PITCH)
  2. PRODUCT SPEC:108-5163
  3. CRIMPING SPEC:114-5062  
COMMON APPLICATOR FOR 2/2.5MM PITCH  
HDR HSG:P/N 755764-X  
EXCLUSIVE APPLICATOR FOR 2.5MM PITCH  
HDR HSG:P/N 752829-X
  4. INSTRUCTION SHEET:IS-206J,207J,208J
5. LOOSE PIECE 172797-X SUPERSEDED  
BY CONTINUOUS 172781-X.

注記

1. 適用ハウジング型番:172520(2.5MMピッチ用)  
:172890(2.0MMピッチ用)
2. 製品規格: 108-5163
3. 取付適用規格: 114-5062  
2/2.5MMピッチ・ヘッダーハウジング  
専用アプリケーター型番: 755764-X  
2.5MMピッチ・ヘッダーハウジング  
専用アプリケーター型番: 752829-X
4. 取扱説明書: IS-206J,207J,208J

1.2	1 -0.05 -0.1 DIA	1.2-1.6	5	POST-TINNED BRASS 0.2t 錫めっき仕上黄銅0.2t	172781-4
0.95	0.8±0.1 DIA	1.2-1.6	5	POST-TINNED BRASS 0.2t 錫めっき仕上黄銅0.2t	172781-3
1.2	1 -0.05 -0.1 DIA	1.2-1.6	5	PRE-TINNED BRASS 0.2t	172781-2
0.95	0.8±0.1 DIA	1.2-1.6	5	錫めっき済黄銅0.2t	172781-1
A REF	APPLICABLE PCB HOLE AND THK	LOOSE PIECE CONTACT P/N	MATERIAL	PART NO.	
参考 A寸法	適用基板穴径と板厚	バラ状端子型番	材料	型番	

THIS DRAWING IS A CONTROLLED DOCUMENT.		DWN J.SATO 120CT05	TE Connectivity <b>LOW PROFILE MINI AMP-IN CONTACT</b>		RESTRICTED TO -
DIMENSIONS: 単位: 純 mm		CHK N.YAMASAKI 120CT05			
TOLERANCES UNLESS OTHERWISE SPECIFIED: 一般公差		APVD N.YAMASAKI 120CT05	NAME 名称		
10 ≤ ± 0.2		PRODUCT SPEC 製品規格	DRAWING NO 番号		
10 < ≤ 30 ± 0.25		APPLICATION SPEC 取付適用規格	SIZE A3	CAGE CODE 00779	DRAWING NO 番号 172781
30 < ≤ 100 ± 0.3		WEIGHT	SHEET 1 OF 1		
ANGLES ± 5°		CUSTOMER DRAWING	SCALE 尺度	REV C2	
FINISH 仕上		MATERIAL 材料 SEE TABLE			