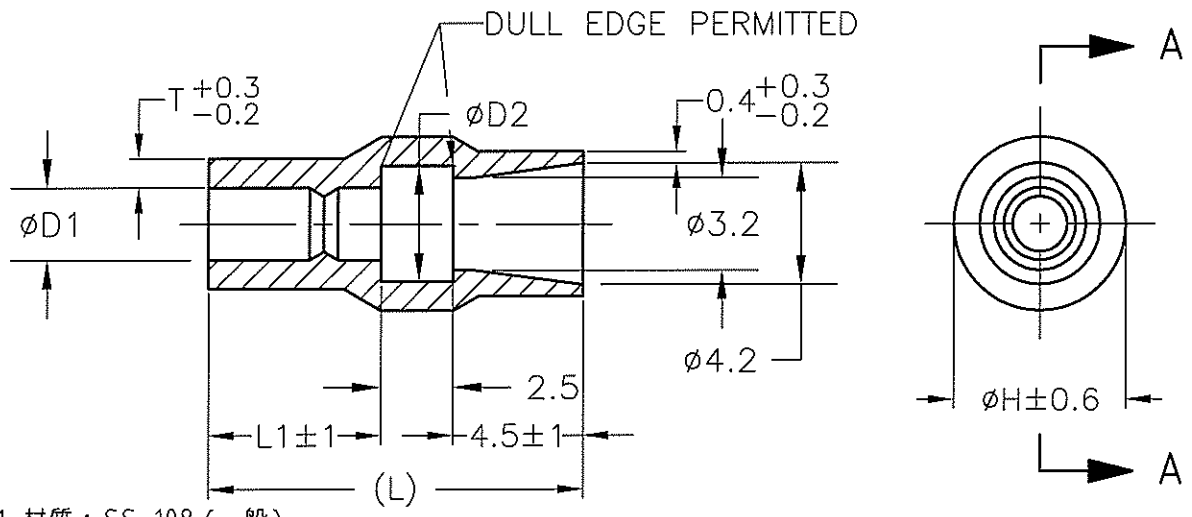


LOC J	DIST —	REVISIONS 変更			DATE	DWN	APVD
P	LTR	DESCRIPTION					
		D2	REVISED PER ECO-11-005030			22MAR11	RK HMR



1. 材質: SS-108 (一般)
 2. 一般公差: ± 0.5
 3. 適用製品規格は無し
- △ 品川商工発行のカタログと本図で寸法が異なる場合は
 本図を優先する。

1. MATERIAL: SS-108 (GENERAL)
 2. GENERAL TOLERANCE: ± 0.5
 3. APPLICABLE PRODUCT SPEC NOT AVAILABLE
- △ IN THE EVENT OF CONFLICT BETWEEN THE REQUIREMENTS OF THIS CUSTOMER DRAWING AND THE SHINAGAWA SHOKO CO LTD CATALOG THIS CUSTOMER DRAWING SHALL TAKE PRECEDENCE

△ OBSOLETE PARTS: OBSOLETE CIS STREAMLINING PER D.RENAUD/D.SINISI

X-170892-X	SEE 170892
X-170893-X	SEE 170893
X-170889-X	SEE 170889
X-170888-X	SEE 170888
X-170890-X	SEE 170890
X-170891-X	SEE 170891
X-170823-X	SEE 170823
PN	REMARK

△ OBSOLETE	CLEAR	14	7	4.5	1.5	0.6	5.9	224215	170887-5
		13	6		3.5	0.7		224235	170887-4
		14	7		3.2			224232	170887-3
	BLACK	13	6	4	2.5	5.4	224225B	170887-2	
	CLEAR						224225	170887-1	
COLOR	L	L1	$\phi D2$	$\phi D1$	T	H	SHINAGAWA SHOKO PN	PN	

RELEASED FOR PUBLICATION
 ALL RIGHTS RESERVED.
 THIS DRAWING IS UNPUBLISHED.
 COPYRIGHT

DIMENSIONS: 単位: 耗 MM		DWN A.YAMAGUCHI 31 AUG 00	WIRE RANGE 抱合電線断面積		INSULATION DIA 被覆外径	
TOLERANCES UNLESS OTHERWISE SPECIFIED: 一般公差		CHK D.MATSUURA 31 AUG 00	MATERIAL 材料		FINISH 仕上	
0 PLC ± — 1 PLC ± — 2 PLC ± — 3 PLC ± — 4 PLC ± — ANGLES ± —		APVD K.BETSUI 31 AUG 00	TE Connectivity			
PRODUCT SPEC 製品規格		NAME 名称				
APPLICATION SPEC 取付適用規格		CONNECT SLEEVE FOR 5DIA SERIES SHUR PLUG RECEPTACLE				
WEIGHT		SIZE A4	CAGE CODE 00779	DRAWING NO 番号 C-170887	RESTRICTED TO —	
CUSTOMER DRAWING			SCALE 尺度	4:1	SHEET 1	OF 1
			REV	D2		