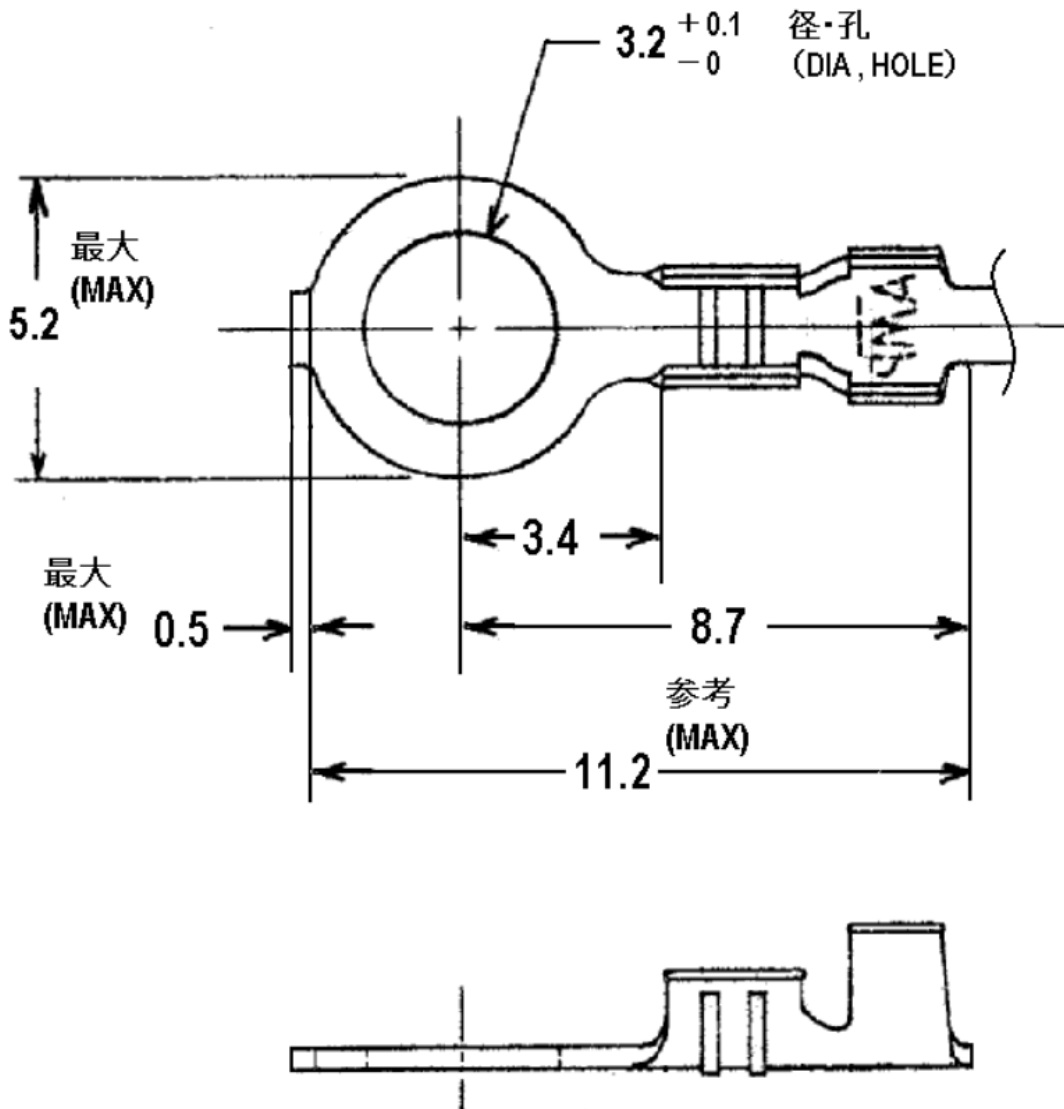


品目 (NUMBER)
C-170022



Ni下地・錫めつき	黄銅	板厚 0.36	170022-3
錫めつき	黄銅	板厚 0.36	170022-2
—	黄銅	板厚 0.36	170022-1
仕上	材	料	型 番

©1961 BY AMP (JAPAN), LTD. ALL RIGHTS RESERVED. AMP PRODUCTS COVERED BY PATENTS AND/OR PATENTS PENDING.
参考図面 (CUSTOMER COPY) (REFERENCE ONLY)

D	REVISED	S.I	N.Y	29 JAN '07
C	ADDED -2 (P-DWG REV. E)	M.Y	OKK	2/6/07
E	CHANGED WIRE RANGE (P-DWG REV. D)	K.W	STAN	2/9/07
A	REVISED WIRE RANGE (IN 2002)	N.H	ST	2/14/07
LTR.	変更 (REVISION RECORD)	DR.	CHK.	DATE
DR.	N. IRIE / ike	DR.		
CHK.		APP.		

材料 (MATERIAL)	表参照	tyco Electronics	Tyco Electronics AMP K.K. Kawasaki, Japan
仕上げ (FINISH)	表参照		
適合電線径 (WIRE RANGE) φ	0.2~0.35 mm ² (AWG 26~22)	分類 (CLASS)	リング
適用外径 (INSULATION DIA.)	1.3~1.6 mm (0.051~0.063 IN)	型式 (TYPE)	オートマチック (AUTOMATIC)
公差 (TOLERANCE EXCEPT AS NOTED)	±0.1 (0.004 IN)	LOG	SIZE
	±0.05 (0.002 IN)	5-1	J A
	±0.1 (0.004 IN)		C-170022
名称 (NAME)	丸型端子 (RING TONGUE WIRE TERMINAL)		

PRINT DIST
単位：各 DIMENSIONS IN MM. DO NOT SCALE PRINT