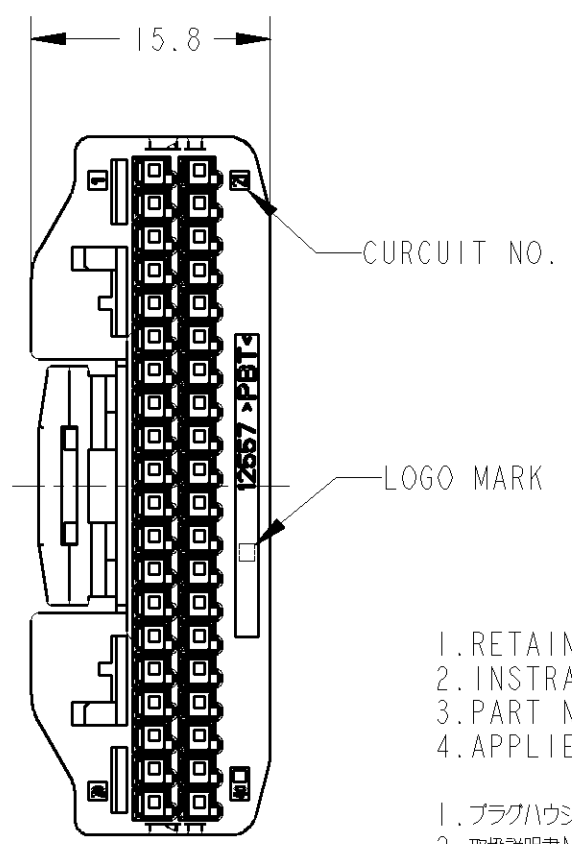
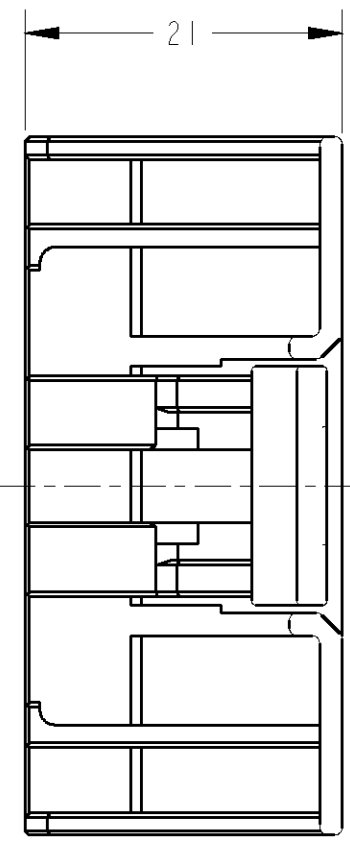
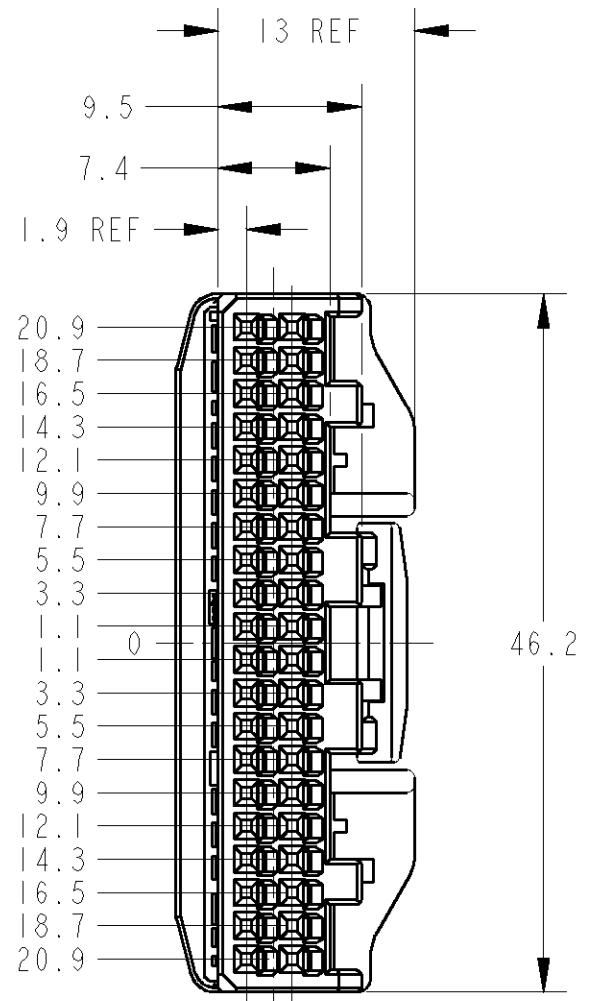


THIS DRAWING IS UNPUBLISHED. RELEASED FOR PUBLICATION 2004  
 © COPYRIGHT 2004 BY TYCO ELECTRONICS CORPORATION. ALL RIGHTS RESERVED.

LOC	DIST	REVISIONS						
		P	LTR	DESCRIPTION	ECN	DATE	DWN	APVD
J	-		0	RELEASED	FJA0-0067-04	26JAN04	SA	KA
			01	ADDED -2	FJA0-0266-04	27APR04	TS	KB
			A	REVISED	ECR-10-007504	17MAY10	TS	KB
			A1	REVISED	ECR-10-012245	18JUN10	KF	HY



1. RETAINER SHOULD BE SENT TO THE PRE-ASSEMBLY.
2. INSTRUCTION SHEET NO. 411-78080.
3. PART NUMBER OF CAP HOUSING TO BE MATED : SEE TABLE-1
4. APPLIED TERMINALS : SEE TABLE-2

1. ブラックハウジングにリテーナを仮係止して出荷される
2. 取扱説明書NO. 411-78080
3. 嵌合相手型番 : TABLE-1参照
4. 適用端子 : TABLE-2参照

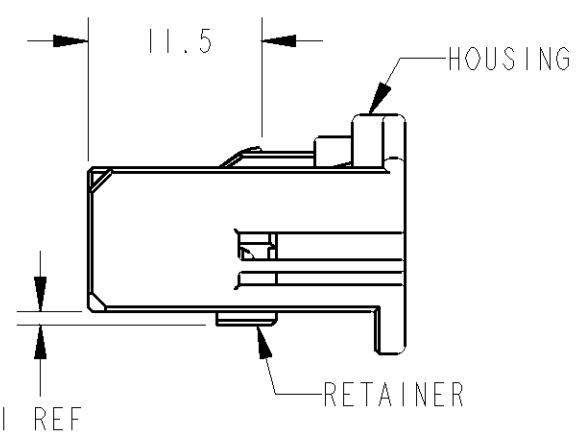


TABLE-1

POS 極数	CAP ASSEMBLY PART NO. キャップ 型番
40	H-TYPE 1318384
	V-TYPE 1376113

PACKING STYLE 梱包形態	COLOR	PART NUMBER
PAPER BOX ダンボール	BLACK	1674312-2
PLASTIC BAG ビニール袋	NATURAL	1674312-1
OUTER 外装	INNER 内装	

TABLE-2

	TERMINAL NO. 端子型番	APPLEVABLE WIRE RANGE 適用電線
0.64111 SIGNAL	TIN 1674311-1	AVSS/CAVS/CAVUS/AVSSH-f 0.3~0.5mm <sup>2</sup>
	SELECTIVE GOLD 1674311-2	
	TIN 1674936-1	CAVS/CAVUS/CHFUS 0.22mm <sup>2</sup>
	SELECTIVE GOLD 1674936-2	CAN 0.22mm <sup>2</sup>

THIS DRAWING IS A CONTROLLED DOCUMENT FOR TYCO ELECTRONICS CORPORATION  
 IT IS SUBJECT TO CHANGE AND THE CONTROLLING ENGINEERING ORGANIZATION  
 SHOULD BE CONTACTED FOR THE LATEST REVISION.

DIMENSIONS:  
単位: 概  
mm

TOLERANCES UNLESS  
OTHERWISE SPECIFIED:

一般公差 ±0.3  
 0-PLC ±  
 1-PLC ±0.5  
 2-PLC ±0.13  
 3-PLC ±0.013  
 4-PLC ±0.001  
 ANGLES ±3'00"

MATERIAL 材料 PBT FINISH 仕上 SEE TABLE

DWN S. AMEMIYA 26JAN04  
 CHK H. YAMAGAMI 26JAN04  
 APVD K. ASAI 26JAN04

PRODUCT SPEC 108-5931  
 APPLICATION SPEC 114-5329

WEIGHT 5.8 g

CUSTOMER DRAWING

NAME 名称 0.64111 40P PLUG HSG ASSEMBLY

SIZE A3 CAGE CODE 00779 DRAWING NO. 1674312 RESTRICTED TO -

SCALE 尺度 2:1 SHEET 1 OF 1 REV A1

Tyco Electronics Corporation  
 Kawasaki, Japan