

THIS DRAWING IS UNPUBLISHED.

RELEASED FOR PUBLICATION

© COPYRIGHT -

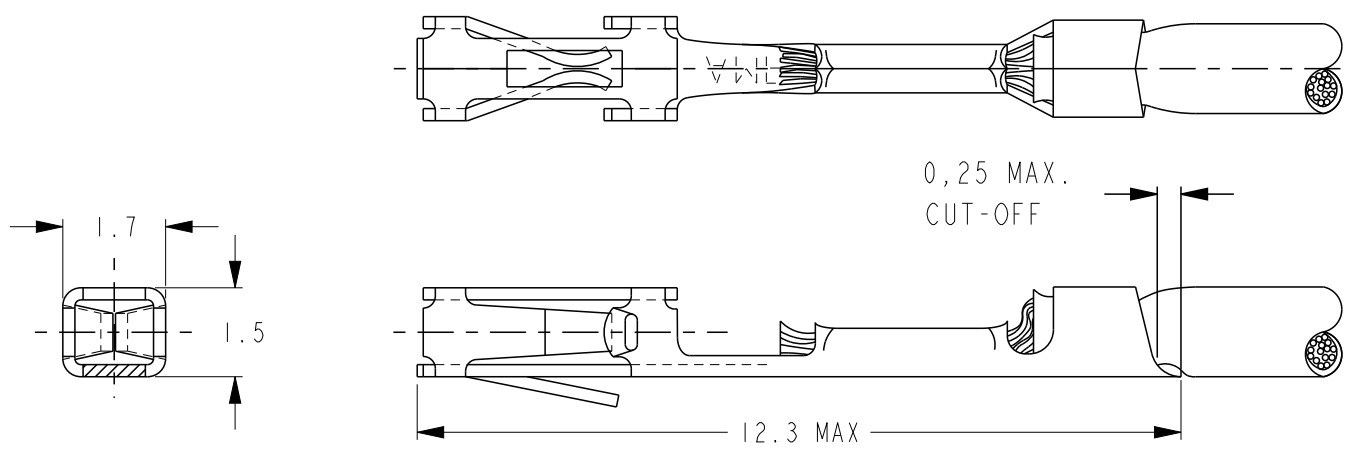
ALL RIGHTS RESERVED.

LOC
H

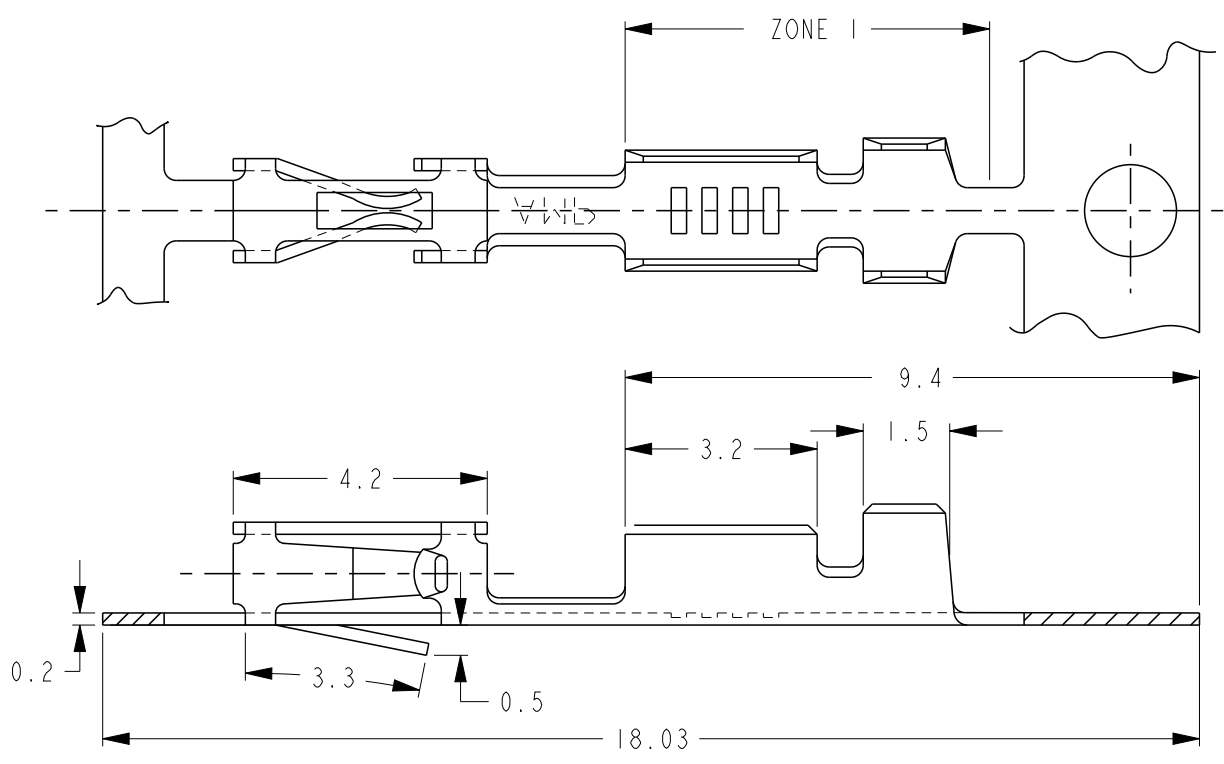
DIST
-

REVISIONS

P	LTR	DESCRIPTION	DATE	DWN	APVD
	C3	REVISED PER ECO-12-021315	10JAN2012	KH	JO



- 1 FOR MINI-APPLICATOR-CRIMPING.
- 2 UNDERCOATING: 1,25 μm Ni, SELECTIVE: 0,8 μm Au, NO GOLDFLASH.
- 3 UNDERCOATING: 1,25 μm Ni, SELECTIVE: 0,8 μm Au, REMAINDER: GOLDFLASH.
- 4 PRE-TINPLATED: 2,0 μm.
- 5 ZONE 1: MATT TIN PLATED.
- 6 MATERIAL: PHOSPHORBRONZE
- 7 FOR REELFED-HANDTOOL-CRIMPING, 500 CONTACTS ON A SMALL REEL.
24-20 AWG (0,20-0,56 mm²) WITH .055 CRIMPER.
26 AWG (0,12-0,14 mm²) WITH .042 CRIMPER.
- 8 OBSOLETE PARTS: OBSOLETE CIS STREAMLINING PER D.RENAUD/D.SINISI



WIRE RANGE 8
INSUL. RANGE 1,4 MAX. DIA.

TIN	4	166310-3	5-166309-3	7
GOLD	3	166310-2	5-166309-2	7
GOLD	2 5	166310-1	5-166309-1	7
TIN	4	166310-3	166309-3	1
GOLD	3	166310-2	166309-2	1
GOLD	2 5	166310-1	166309-1	1
FINISH		LOOSE PIECE	PARTNUMBER	

THIS DRAWING IS A CONTROLLED DOCUMENT.

DIMENSIONS: mm	TOLERANCES UNLESS OTHERWISE SPECIFIED:
	0 PLC ±-
	1 PLC ±-
	2 PLC ±-
	3 PLC ±-
	4 PLC ±-
	ANGLES ±-
MATERIAL	FINISH SEE TABLE

DWN	Rv HEUVEN	25JUNE07
CHK	MvD	25JUNE07
APVD	MvD	-
PRODUCT SPEC	-	-
APPLICATION SPEC	-	-
WEIGHT	-	-



AMP MODU MOD. V
RECEPTACLE,
HIGH PRESSURE, STRIP.

SIZE	CAGE CODE	DRAWING NO	RESTRICTED TO
A3	00779	166309	-

CUSTOMER DRAWING SCALE NTS SHEET 1 OF 1 REV C3