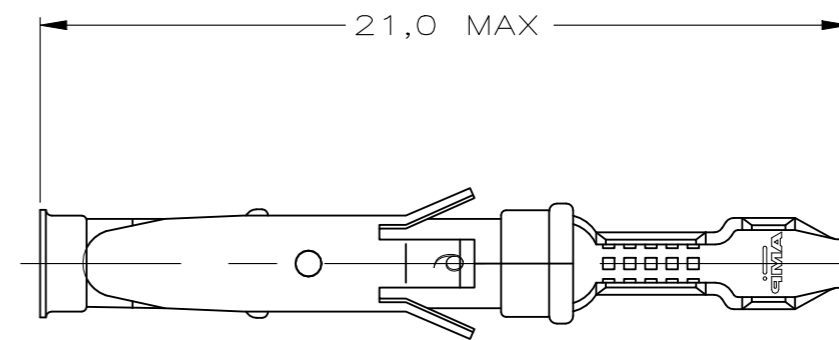
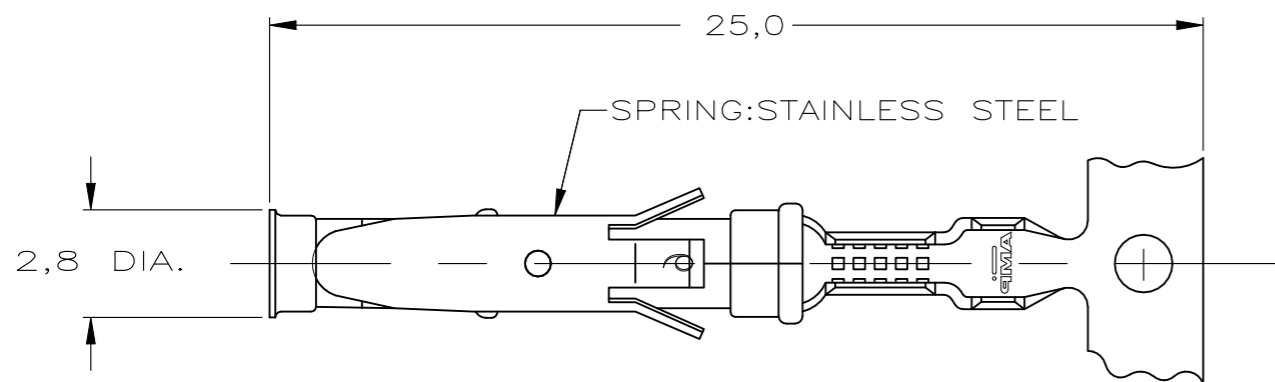
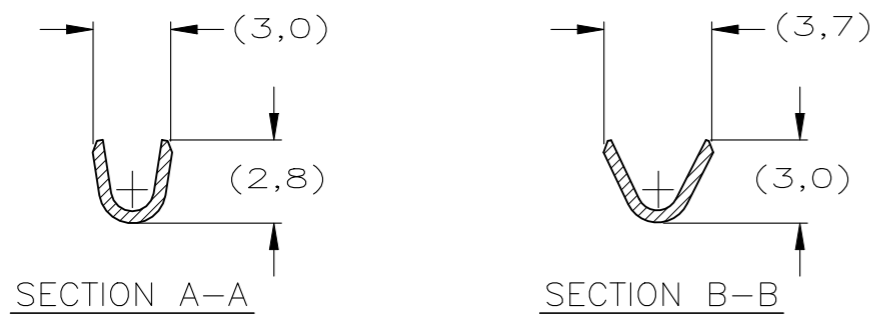
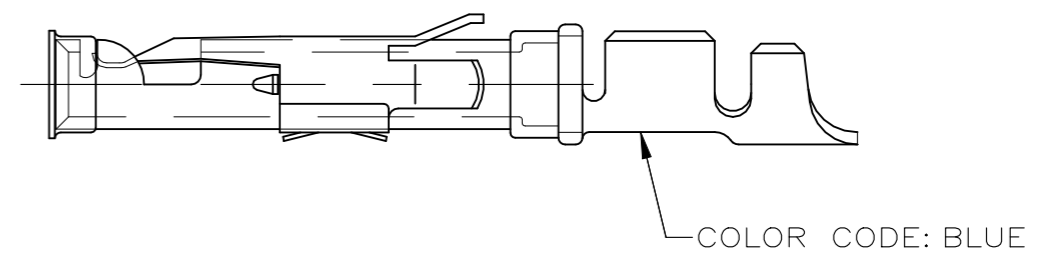
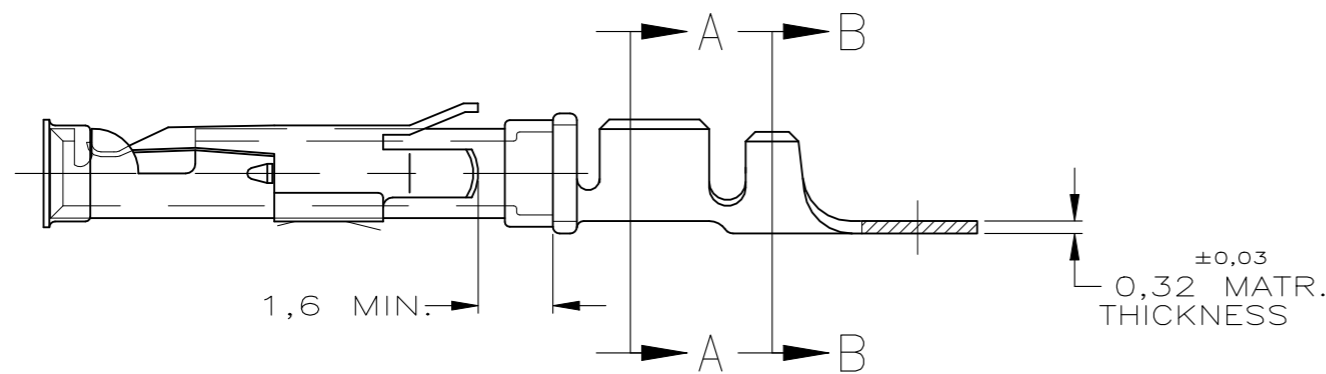


REVISIONS					
P	LTR	DESCRIPTION	DATE	DWN	APVD
	BA	ECO-21-006957	25JUN2021	RK	MZ

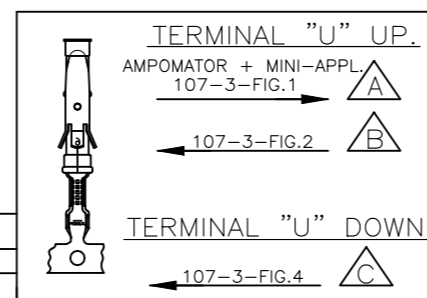


STRIP

LOOSE-PIECE



WIRE RANGE : 0,75–1,50 mm² (18–16 AWG)
 INSUL. RANGE : 2,0–2,5 mm (.080–.100)



△ OBSOLETE	△ 4	5-163083-3	△ C	1-163084-4	BRASS	ECON.GOLD	△ 21
	△ 4	5-163083-2	△ C		BRASS	SEL.GOLD	△ 22
	△ 4	5-163083-1	△ C		BRASS	EL.TIN	△ 20
		1-163083-4	△ A	1-163084-4	BRASS	EL.TIN	△ 31
△ OBSOLETE		1-163083-3	△ A	1-163084-3	BRASS	BR.TIN	△ 30
		1-163083-2	△ A	163084-9	BRASS	SILVER	△ 28
		1-163083-1	△ A		BRASS	ECON.GOLD	△ 21
		1-163083-0	△ B	1-163084-0	BRASS	ECON.GOLD	△ 21
		163083-9	△ B		BRASS	SILVER	△ 28
		163083-8	△ A		BRASS	EL.TIN	△ 20
		163083-7	△ A		BRASS	SEL.GOLD	△ 22
	△ 1	163083-2	△ B	163084-2	BRASS	SEL.GOLD	△ 22
	△ 1	163083-1	△ B	163084-1	BRASS	EL.TIN	△ 20
		PART NUMBER	DIRECTION OF REEL	LOOSE-PIECE	MATERIAL	PLATING	

- NOTES :
- 1 UL RECOGNIZED UNDER E28476 VOL VI SEC I
 - 2 FOR CRIMP DETAILS SEE SPEC. 114-19000
 - 3 MEETS PRODUCT SPECIFICATION 108-10042
 - 4 SPECIAL REEL WITH 200PCS FOR REEL-FED HAND-TOOL
 - 5 OBSOLETE PARTS: OBSOLETE CIS STREAMLINING PER D.RENAUD/D.SINISI
 - 6 OBSOLETE
 - 7 OMISSION OF 6 CONTACTS MAX PER REEL OF 5000PCS
 - △ LUBRICATED

NOTES	MATERIAL	THICKNESS	AREA
△ 20	TIN	2,0 µm	ALL OVER
△ 21	NICKEL GOLD TIN	.76 µm .76 µm 1.01 µm	ALL OVER CONTACT AREA BARREL
△ 22	NICKEL GOLD TIN	1.27 µm .76 µm 1.01 µm	ALL OVER CONTACT AREA BARREL
△ 23	NICKEL GOLD GOLD	1,2 µm	ALL OVER CONTACT AREA ALL OVER
△ 27	NICKEL SILVER TIN	2,5 µm	ALL OVER CONTACT AREA BARREL
△ 28	SILVER NICKEL	1,5–2,5µm 0,76 µm	ALL OVER
△ 29	SILVER	2,5 µm	ALL OVER
△ 30	NICKEL TIN	1,27 µm 1,27 µm	ALL OVER ALL OVER

THIS DRAWING IS A CONTROLLED DOCUMENT.

DIMENSIONS:		TOLERANCES UNLESS OTHERWISE SPECIFIED:	
mm			
0 PLC	± -	0 PLC	± -
1 PLC	± -	1 PLC	± -
2 PLC	± -	2 PLC	± -
3 PLC	± -	3 PLC	± -
4 PLC	± -	4 PLC	± -
ANGLES	± -	ANGLES	± -
MATERIAL	REFER TABLE	FINISH	REFER TABLE

DWN	M THAJUDEEN	21JULY2015	TE Connectivity
CHK	GANI NIMBENNAPPA	21JULY2015	
APVD	PRASHANTH S	21JULY2015	
PRODUCT SPEC	108-10042		
APPLICATION SPEC	114-19000		
NAME			TYPE III+, SIZE 16, SOCKET ASS'Y, 18-16 AWG, 2.0-2.5mm DIA INSULATION
SIZE	CAGE CODE	DRAWING NO	RESTRICTED TO
	A3	00779	C-163083
CUSTOMER DRAWING			SCALE - SHEET 1 of 1 REV BA