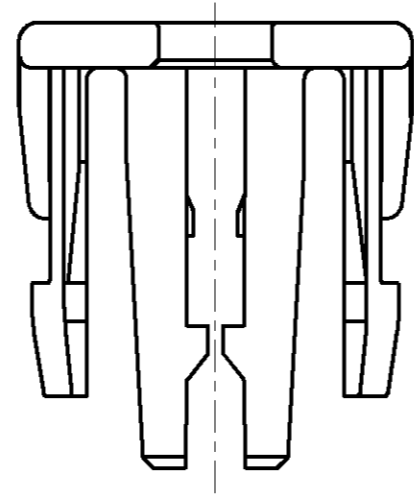
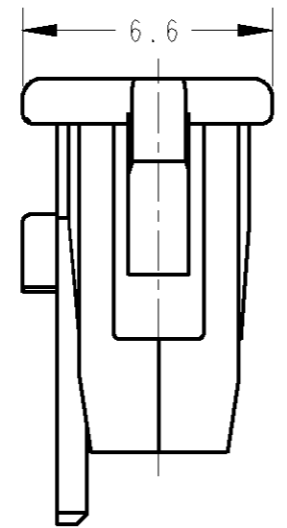
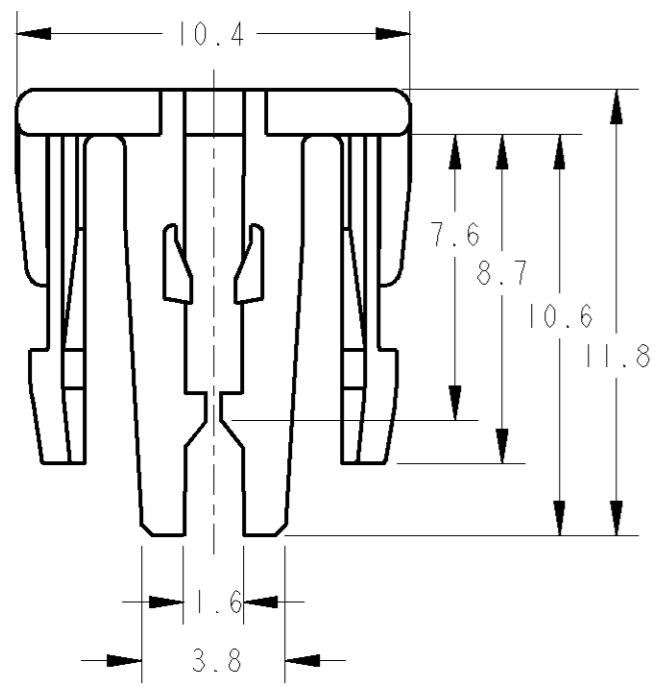
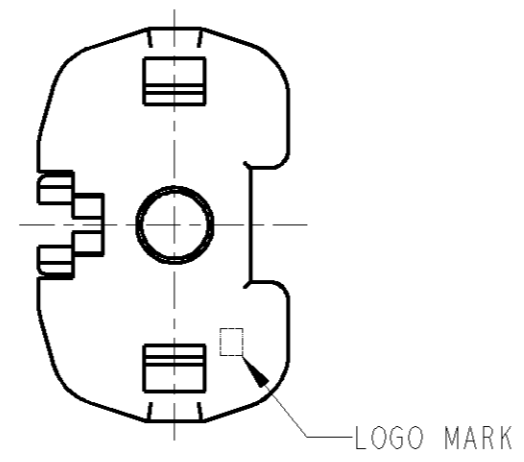


THIS DRAWING IS UNPUBLISHED. RELEASED FOR PUBLICATION 20  
 © COPYRIGHT 20 BY TYCO ELECTRONICS CORPORATION. ALL RIGHTS RESERVED.

LOC	DIST	REVISIONS						
		P	LTR	DESCRIPTION	ECN	DATE	DWN	APVD
J	-		0	RELEASED	FJA0-0144-03	26MAR2003	RN	HY
			01	REVISED	FJA0-0785-04	05NOV2004	A.O	H.Y
			A	REVISED	ECR-10-007504	17MAY10	TS	KB



1. THIS PRODUCT SHOULD BE USED WITH THE IIDIA SQUIB CONNECTOR COMPACT TYPE PLUG HOUSING (P/N: 1612121). THE APPLICABLE SHORT CIRCUIT RING FOR THIS PRODUCT IS P/N 1473369.  
 2. INSTRUCTION SHEET: 411-78033

1. 本製品は IIDIA SQUIB CONNECTOR COMPACT TYPE PLUG HOUSING (P/N: 1612121) に装着して使用する。  
 本製品之適用可能なショートサーキットリングは、P/N 1473369である。  
 2. 取扱説明書: 411-78033

YELLOW	1612122-1
COLOR	PART NUMBER

THIS DRAWING IS A CONTROLLED DOCUMENT FOR TYCO ELECTRONICS CORPORATION. IT IS SUBJECT TO CHANGE AND THE CONTROLLING ENGINEERING ORGANIZATION SHOULD BE CONTACTED FOR THE LATEST REVISION.		DWN R. NAGAI 26MAR2003	Tyco Electronics Corporation Kawasaki, Japan	
DIMENSIONS: 単位: 概 mm		CHK T. HAYASHI 26MAR2003		
TOLERANCES UNLESS OTHERWISE SPECIFIED: 一般公差 ±0.2		APVD H. YAMAGAMI 26MAR2003	NAME 名称 IIDIA SQUIB CONNECTOR COMPACT TYPE BUTTON	
0 PLC ± 1 PLC ±0.1 2 PLC ±0.01 3 PLC ±0.001 4 PLC ±0.0001 ANGLES ±1.00'		PRODUCT SPEC 製品規格 108-5679	RESTRICTED TO -	
MATERIAL 材料 PBT G30	FINISH 仕上 SEE TABLE	APPLICATION SPEC 取付適用規格 -	SIZE A3	CAGE CODE 00779
WEIGHT 0.2 g		DRAWING NO. 番号 C=1612122	SCALE 尺度 5:1	
CUSTOMER DRAWING		SHEET 1 OF 1		REV A