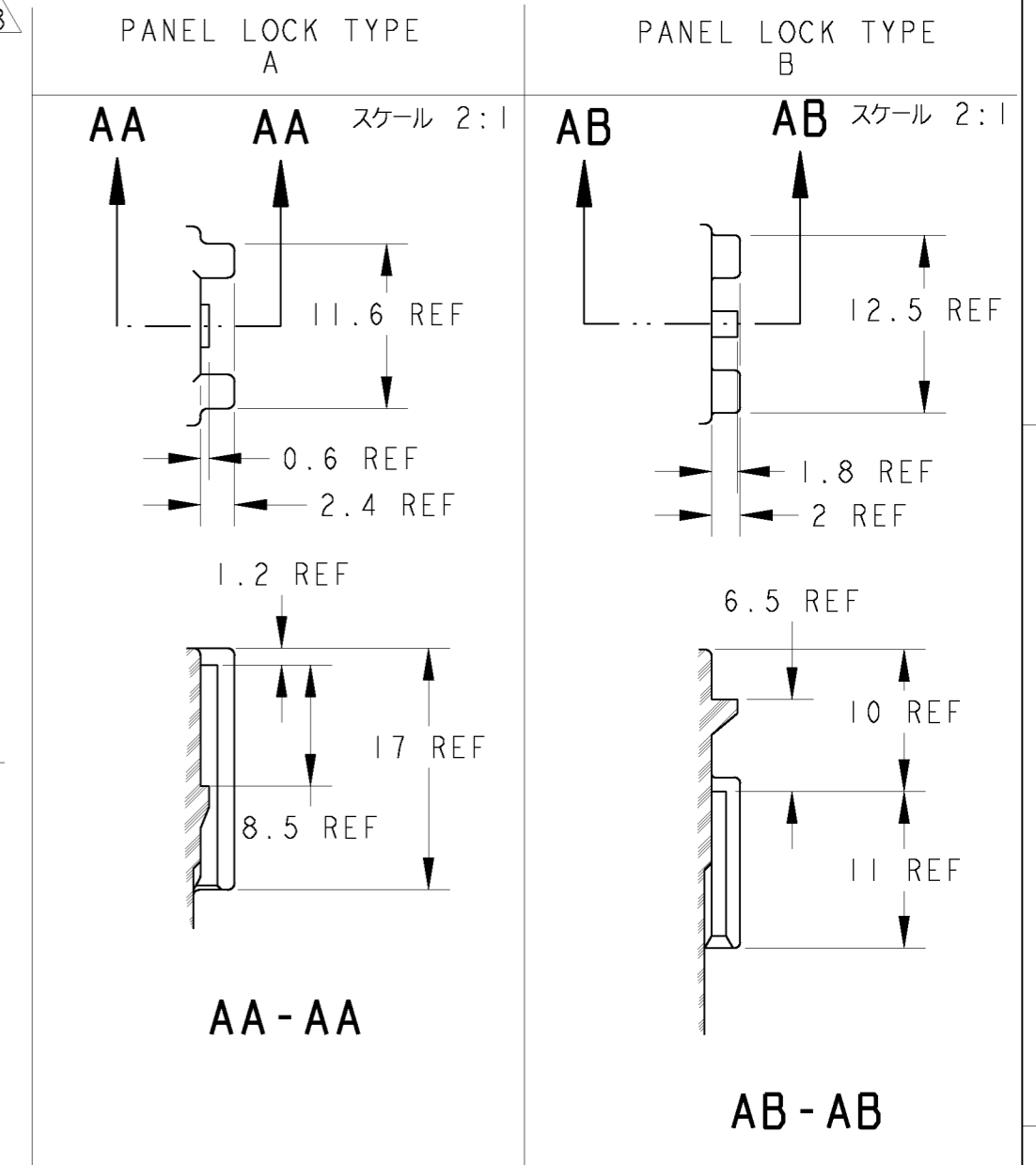
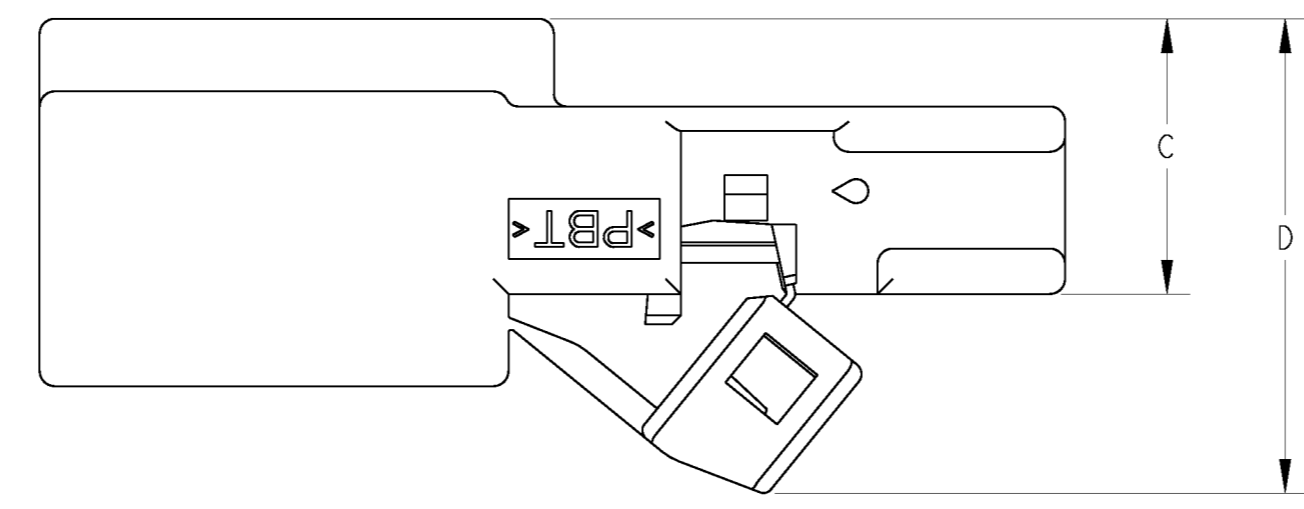
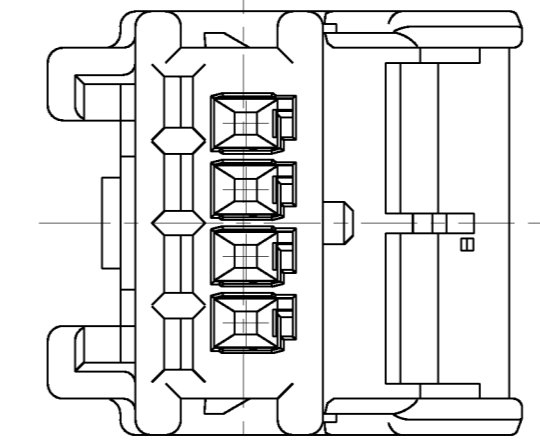
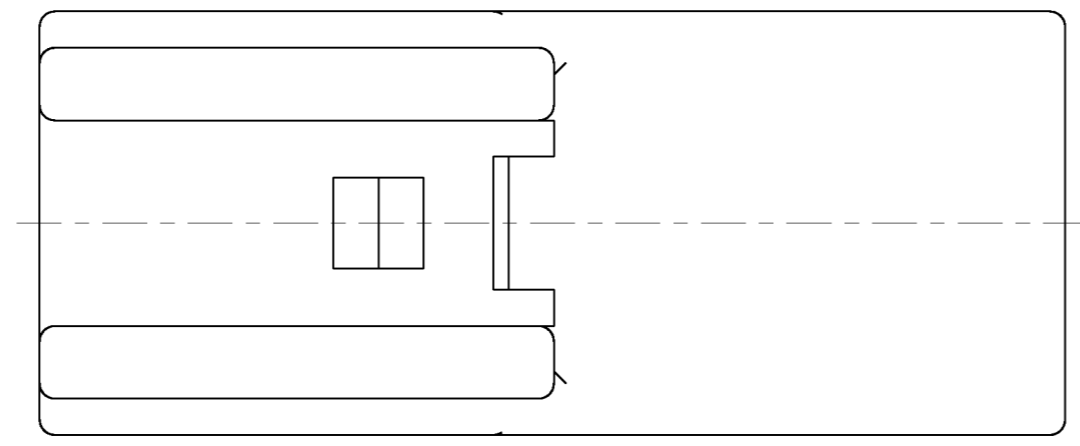
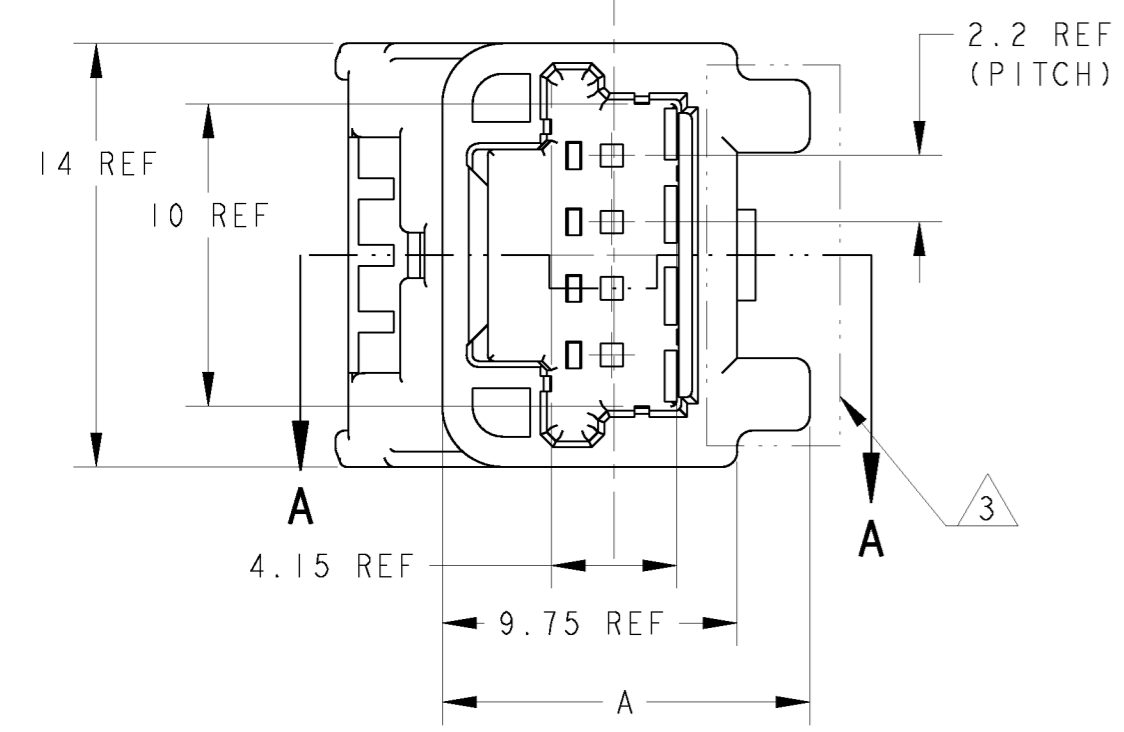
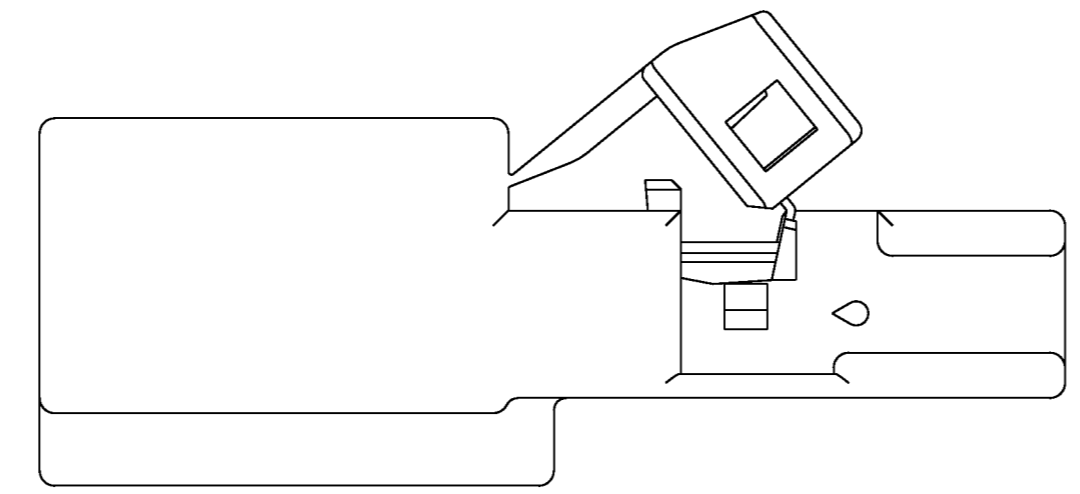
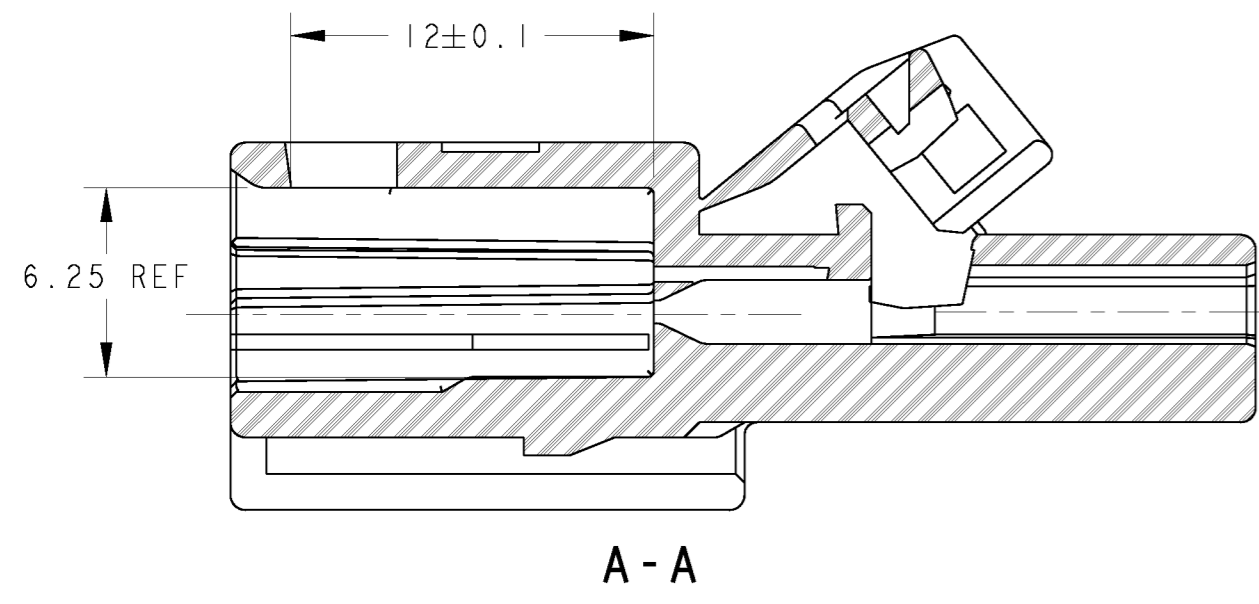


THIS DRAWING IS UNPUBLISHED. RELEASED FOR PUBLICATION 2002.11.1
 (C) COPYRIGHT 2002.11.1 ALL RIGHTS RESERVED.

LOC		DIST		REVISIONS			
P	LTR	DESCRIPTION	DATE	DWN	APVD		
P		REVISED PER ECO-11-005140	02APR2011	RK	HMR		

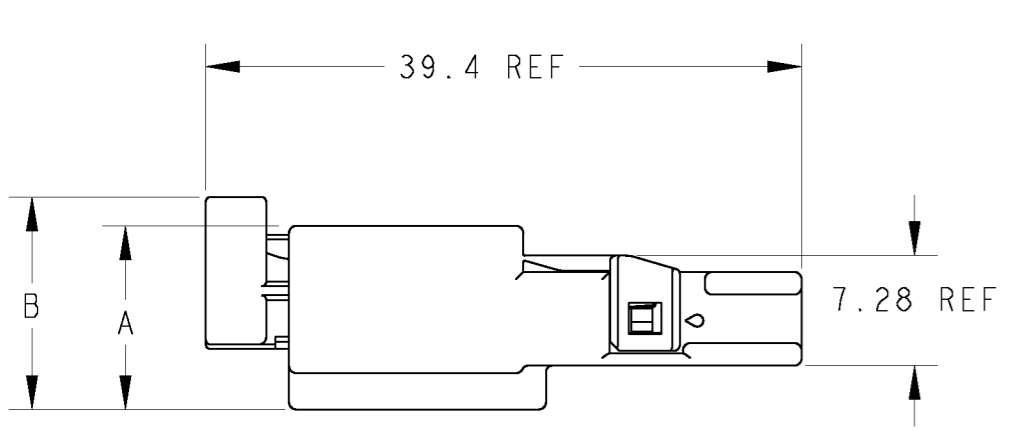


PART NO.	DIMENSION A 寸法 A	DIMENSION B 寸法 B	DIMENSION C 寸法 C	DIMENSION D 寸法 D
1612035-1	12.15 REF	14.05 REF	9.1 REF	15.7 REF
1612035-2	11.75 REF	13.65 REF	8.7 REF	15.3 REF

1. 嵌合相手品番; 1473672-1
2. 適用端子及び適用電線はTABLE-1参照
- △. 本品には、2種類のパネルロック形状がある
4. 取扱説明書NO.411-78050

1. PART NUMBER OF PLUG HOUSING; 1473672-1
2. APPLICABLE TERMINAL AND WIRE RANGE; REFER TO TABLE-1
- △. PANEL LOCK VARIATIONS
4. INSTRUCTION SHEET NO.411-78050

PACKING STYLE	COLOR	PANEL LOCK TYPE	PART NUMBER
PAPER BOX ダンボール箱	NATURAL	B	1612035-2
PLASTIC BAG ビニール袋	NATURAL	A	1612035-1
OUTER 外装	INNER 内装		
PACKING STYLE 梱包形態		PANEL LOCK TYPE パネルロック △	PART NUMBER 型番



ENGAGEMENT VIEW
嵌合状態図

TABLE - 1

TERMINAL	FINISH	APPLICABLE WIRE RANGE
1674742-1	TIN	AVSS/AVSSH-f CAVS/CAVUS 0.3~0.5mm ²

THIS DRAWING IS A CONTROLLED DOCUMENT.

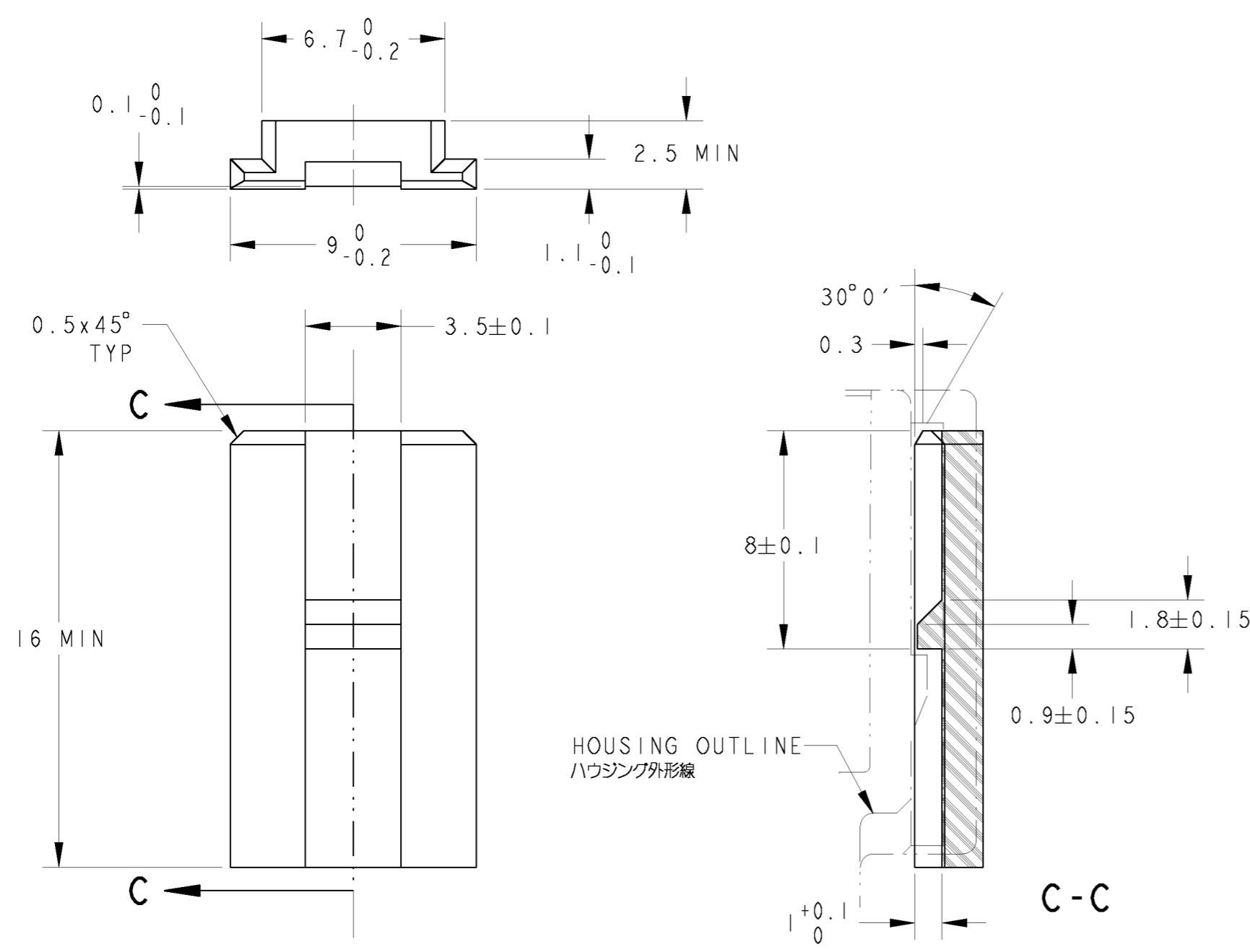
DIMENSIONS: 単位: 概 mm	TOLERANCES UNLESS OTHERWISE SPECIFIED: 一般公差 ±0.3 0-PLC ± 1-PLC ±0.5 2-PLC ±0.13 3-PLC ±0.013 4-PLC ±0.001 ANGLES ±3°00'	DWN N. YASUDA 29OCT02 CHK I. KOHNO 29OCT02 APVD N. SAI 29OCT02	NAME 025G W-W CONNECTOR 4POS CAP HOUSING
MATERIAL 材料 PBT	FINISH 仕上 SEE TABLE	PRODUCT SPEC 108-5787 APPLICATION SPEC 114-5340	SIZE A200779
CUSTOMER DRAWING		WEIGHT 3.1 g	DRAWING NO C-1612035
		SCALE 4:1	RESTRICTED TO
		SHEET 1 OF 2	REV P

STE TE Connectivity

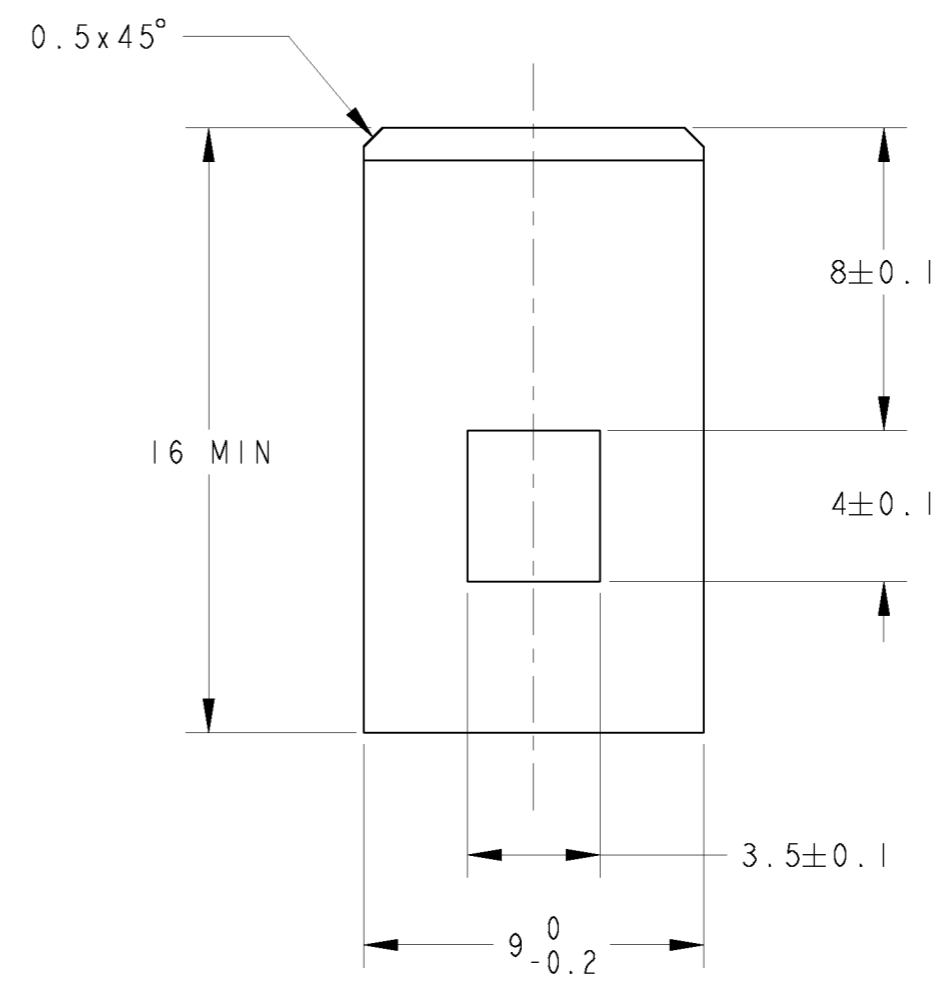
THIS DRAWING IS UNPUBLISHED. RELEASED FOR PUBLICATION 2002.11.1
 ALL RIGHTS RESERVED. COPYRIGHT 2002.11.1

LOC		DIST		REVISIONS			
P	LTR	DESCRIPTION	DATE	DWN	APVD		
-	-	SEE SHEET 1	-	-	-		

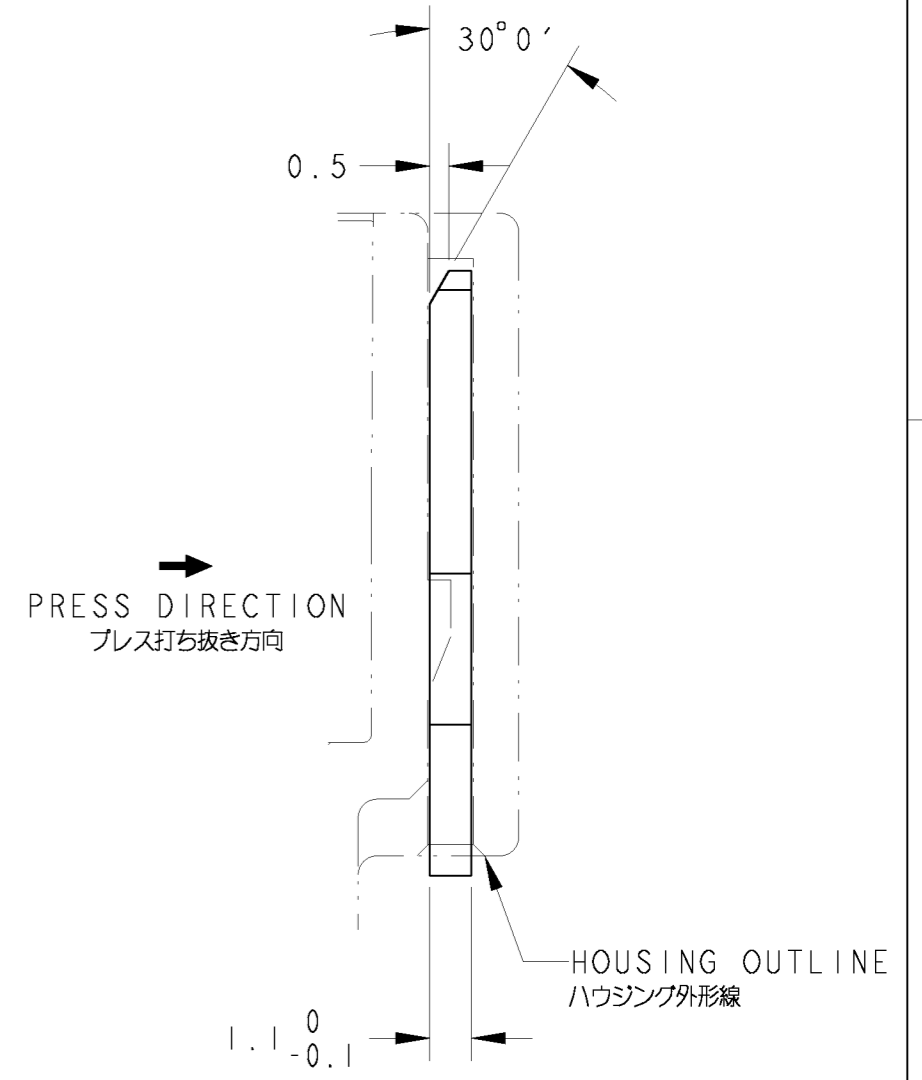
MATING TO PANEL LOCK A



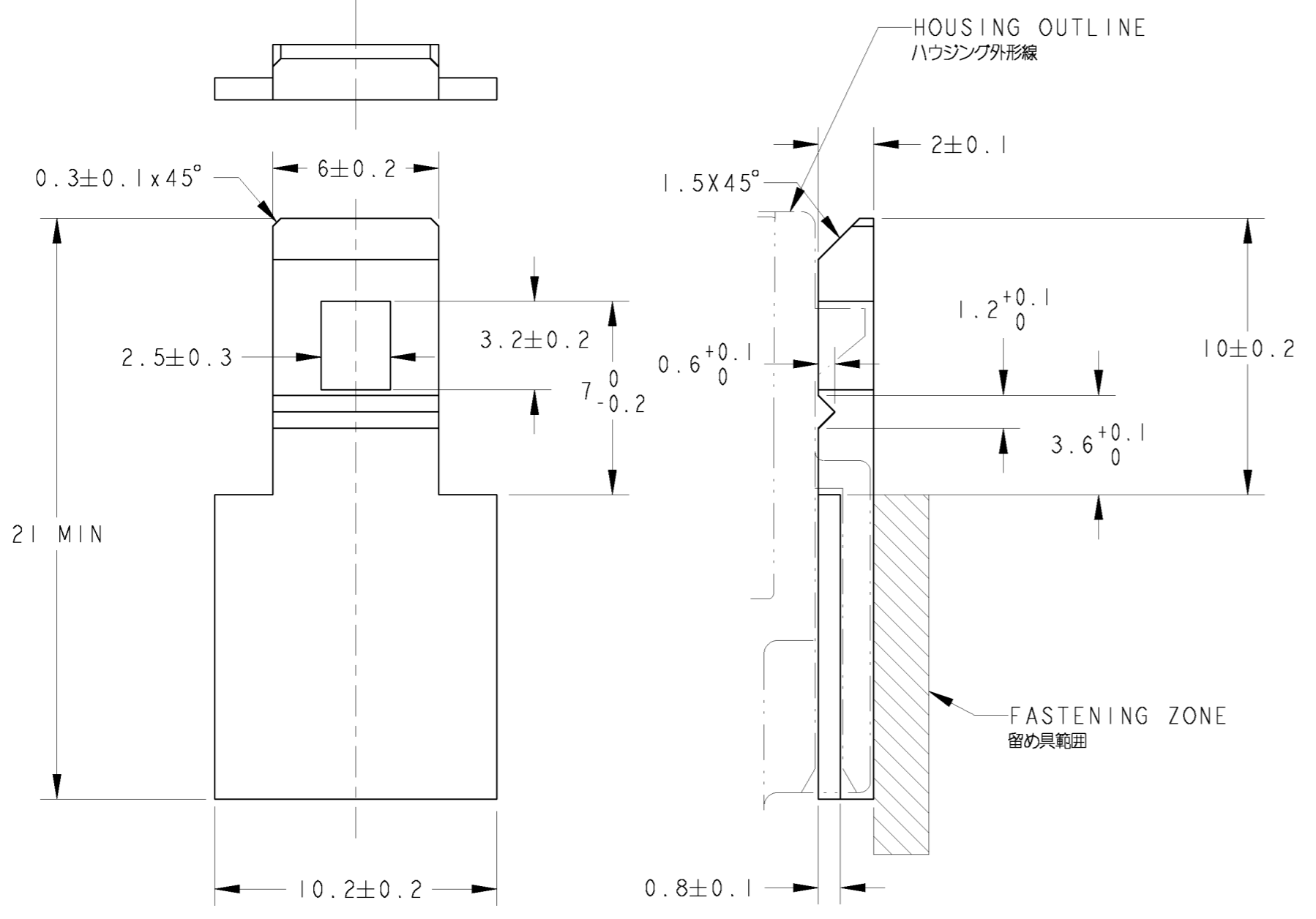
MATERIAL: PLASTIC 材料: 樹脂



MATERIAL: METAL 材料: 金属



MATING TO PANEL LOCK B



MATERIAL: PLASTIC 材料: 樹脂

THIS DRAWING IS A CONTROLLED DOCUMENT.		DWN	N. YASUDA	29OCT02	 TE Connectivity	NAME		025G W-W CONNECTOR 4POS CAP HOUSING		
DIMENSIONS:		CHK	T. KOHNO	29OCT02		PRODUCT SPEC		SIZE	CAGE CODE	DRAWING NO
mm		APVD	N. SAI	29OCT02		APPLICATION SPEC		SEE 1 OF 2	A200779	C-1612035
TOLERANCES UNLESS OTHERWISE SPECIFIED:		MATERIAL		WEIGHT		CUSTOMER DRAWING		SCALE	SHEET 2 OF 2	
±0.15 0-PLC ± 1-PLC ±0.5 2-PLC ±0.13 3-PLC ±0.013 4-PLC ±0.0001 ANGLES ±1°00' FINISH		SEE TABLE		SEE 1 OF 2		RESTRICTED TO			REV P	