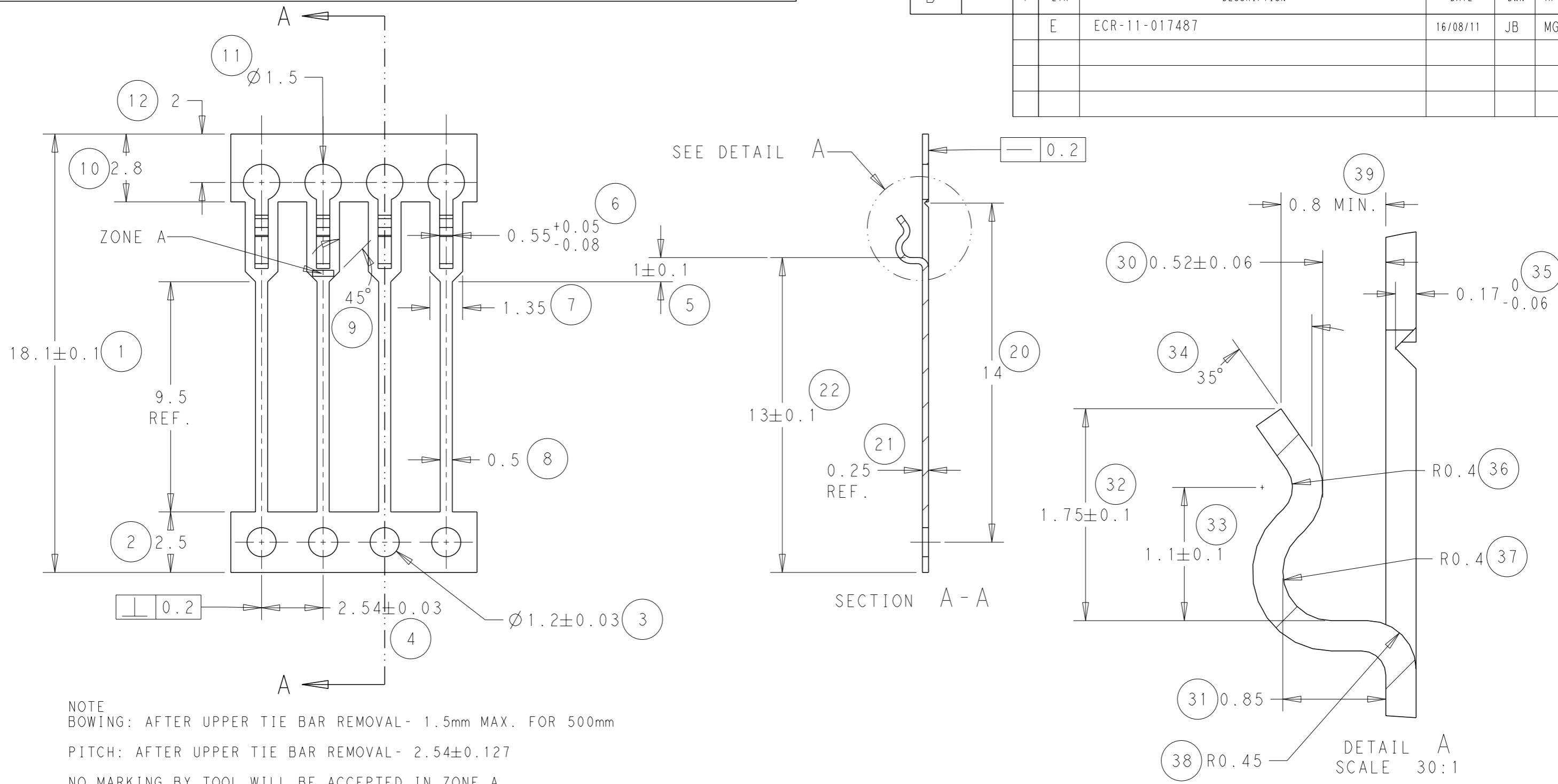
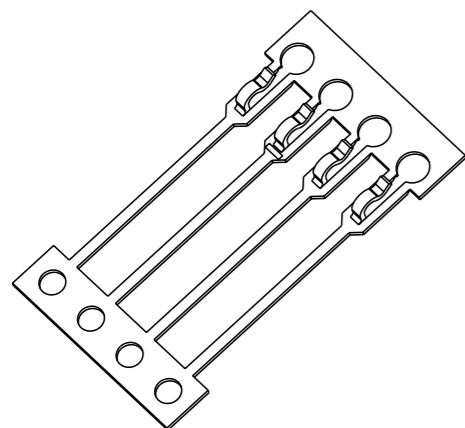


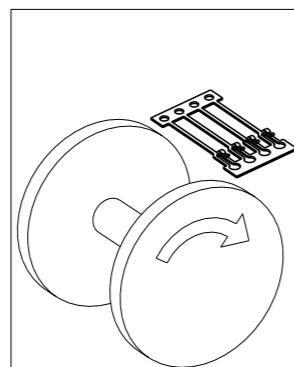
LOC	DIST	REVISIONS					
		P	LTR	DESCRIPTION	DATE	DWN	APVD
B	-		E	ECR-11-017487	16/08/11	JB	MG



NOTE  
 BOWING: AFTER UPPER TIE BAR REMOVAL - 1.5mm MAX. FOR 500mm  
 PITCH: AFTER UPPER TIE BAR REMOVAL - 2.54±0.127  
 NO MARKING BY TOOL WILL BE ACCEPTED IN ZONE A.



SCALE 3:1



DIRECTION OF TOP OF REEL

DIRECTION "0"  
 CONTACTS DOWN  
 DIRECTION "1"  
 CONTACTS UPWARDS  
 DIRECTION

THIS DRAWING IS A CONTROLLED DOCUMENT.

DIMENSIONS: mm  
 TOLERANCES UNLESS OTHERWISE SPECIFIED:

0 PLC	±-
1 PLC	±-
2 PLC	±0.05
3 PLC	±-
4 PLC	±-
ANGLES	±0.5
FINISH	-

MATERIAL SEE ABOVE.

DWN	J. BRIGHT	16/08/11
CHK	M. GREENER	16/08/11
APVD	D. PENNINGTON	16/08/11
PRODUCT SPEC	-	-
APPLICATION SPEC	-	-
WEIGHT	-	-

0	Ni & Sn	1544425-2
0	Sn	1544425-1
REELING	FINISH	PART NUMBER



NAME			
SIL CONTACT			
SIZE	CAGE CODE	DRAWING NO	RESTRICTED TO
A3	00779	C-1544425	-