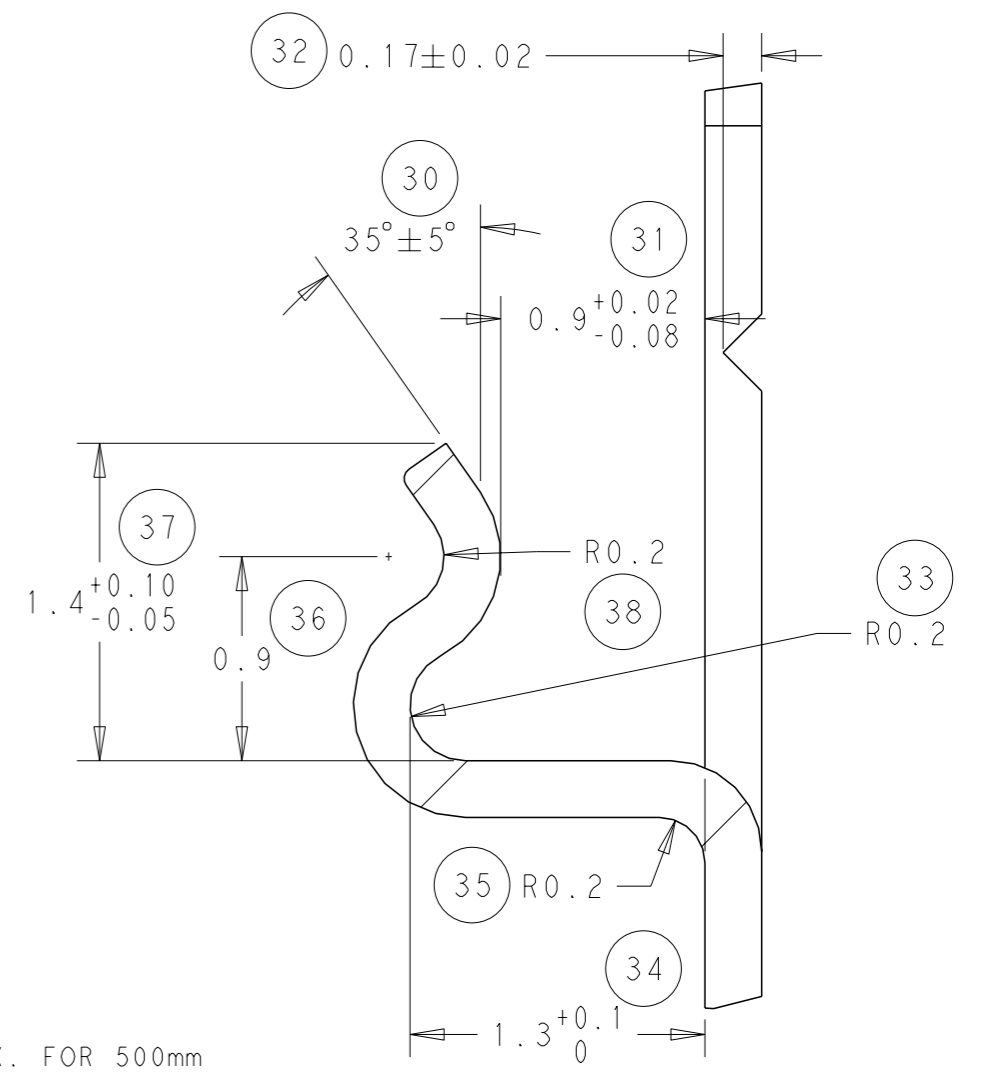
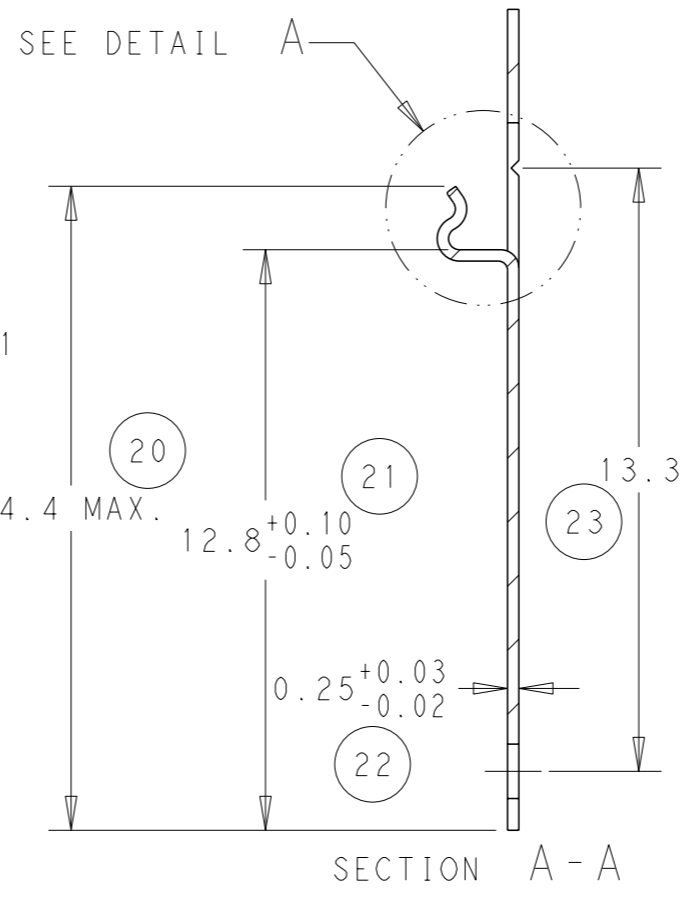
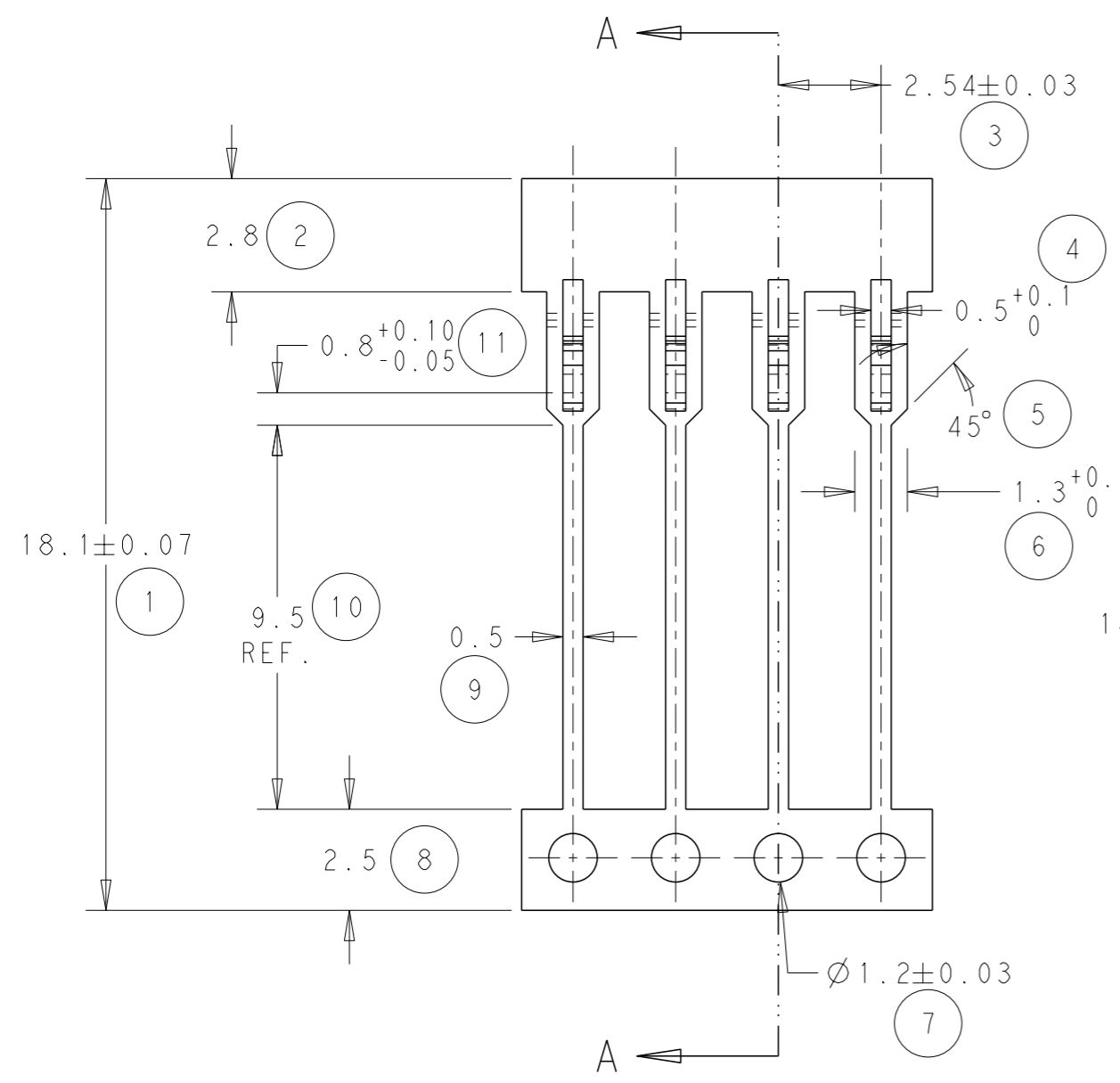


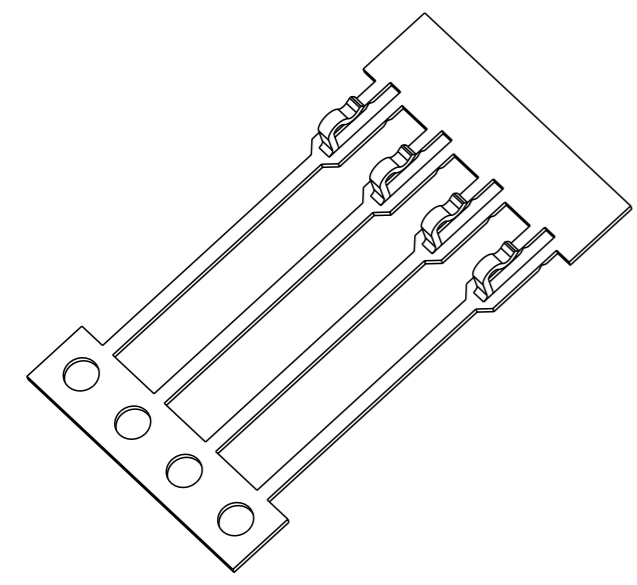
THIS DRAWING IS UNPUBLISHED. RELEASED FOR PUBLICATION 2011
 © COPYRIGHT 2011 TE CONNECTIVITY ALL RIGHTS RESERVED.

LOC	DIST	REVISIONS				
P	LTR	DESCRIPTION	DATE	DWN	APVD	
B	-	D	ECR-11-015005	19/07/11	JB	-

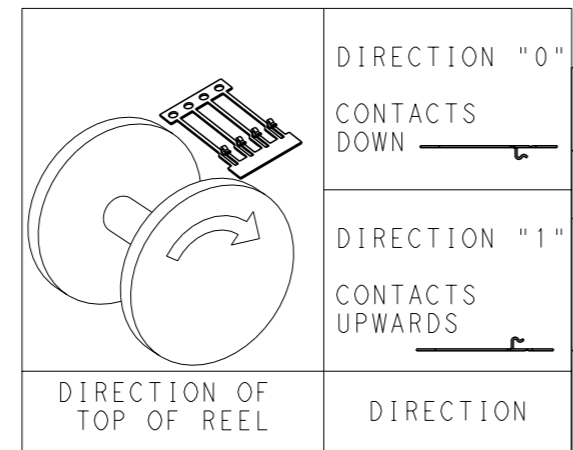


NOTE
 BOWING: AFTER UPPER TIE BAR REMOVAL - 1.5mm MAX. FOR 500mm
 PITCH: AFTER UPPER TIE BAR REMOVAL - 2.54±0.127

DETAIL A
 SCALE 30:1



SCALE 4:1

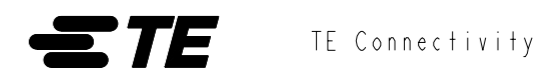


THIS DRAWING IS A CONTROLLED DOCUMENT.

DIMENSIONS:	TOLERANCES UNLESS OTHERWISE SPECIFIED:
mm	0 PLC ±-
	1 PLC ±-
	2 PLC ±0.05
	3 PLC ±-
	4 PLC ±-
	ANGLES ±0.5
MATERIAL	FINISH -
SEE ABOVE	

DWN	15/07/11
J. BRIGHT	
CHK	15/07/11
M. GREENER	
APVD	15/07/11
D. PENNINGTON	
PRODUCT SPEC	
APPLICATION SPEC	
WEIGHT	-

0	Ni & Sn	1544242-2
0	Sn	1544242-1
REELING	FINISH	PART NUMBER



NAME			
SIL CONTACT			
SIZE	CAGE CODE	DRAWING NO	RESTRICTED TO
A3	00779	C-1544242	-

CUSTOMER DRAWING SCALE NTS SHEET 1 OF 1 REV D