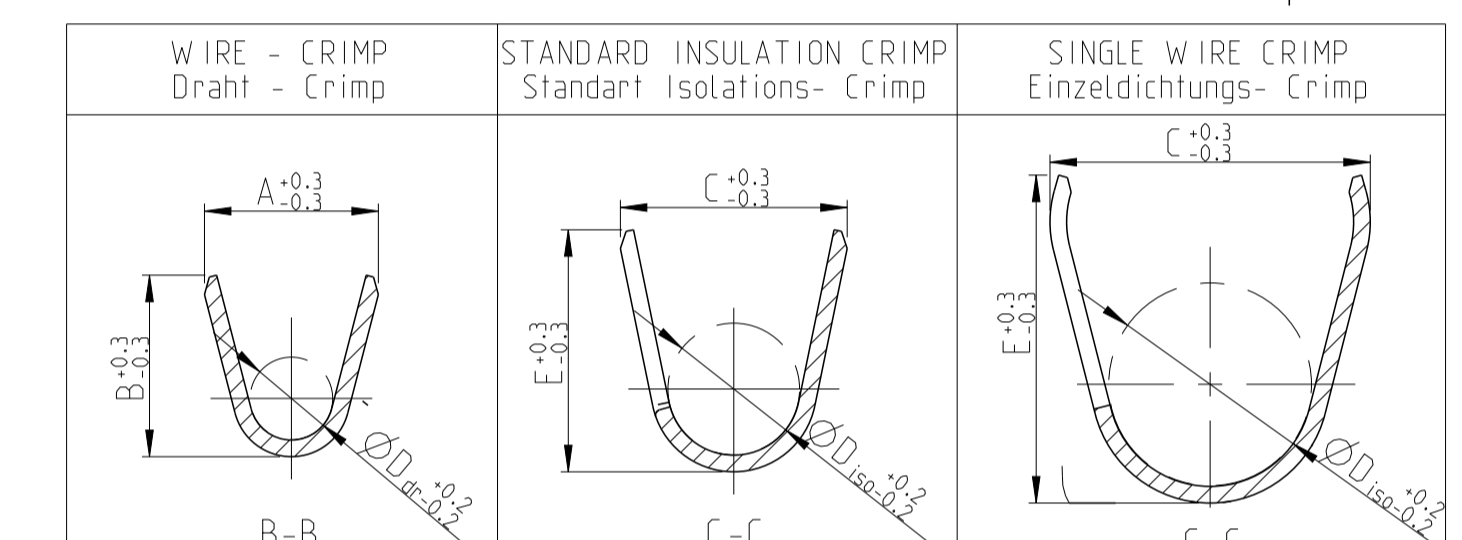
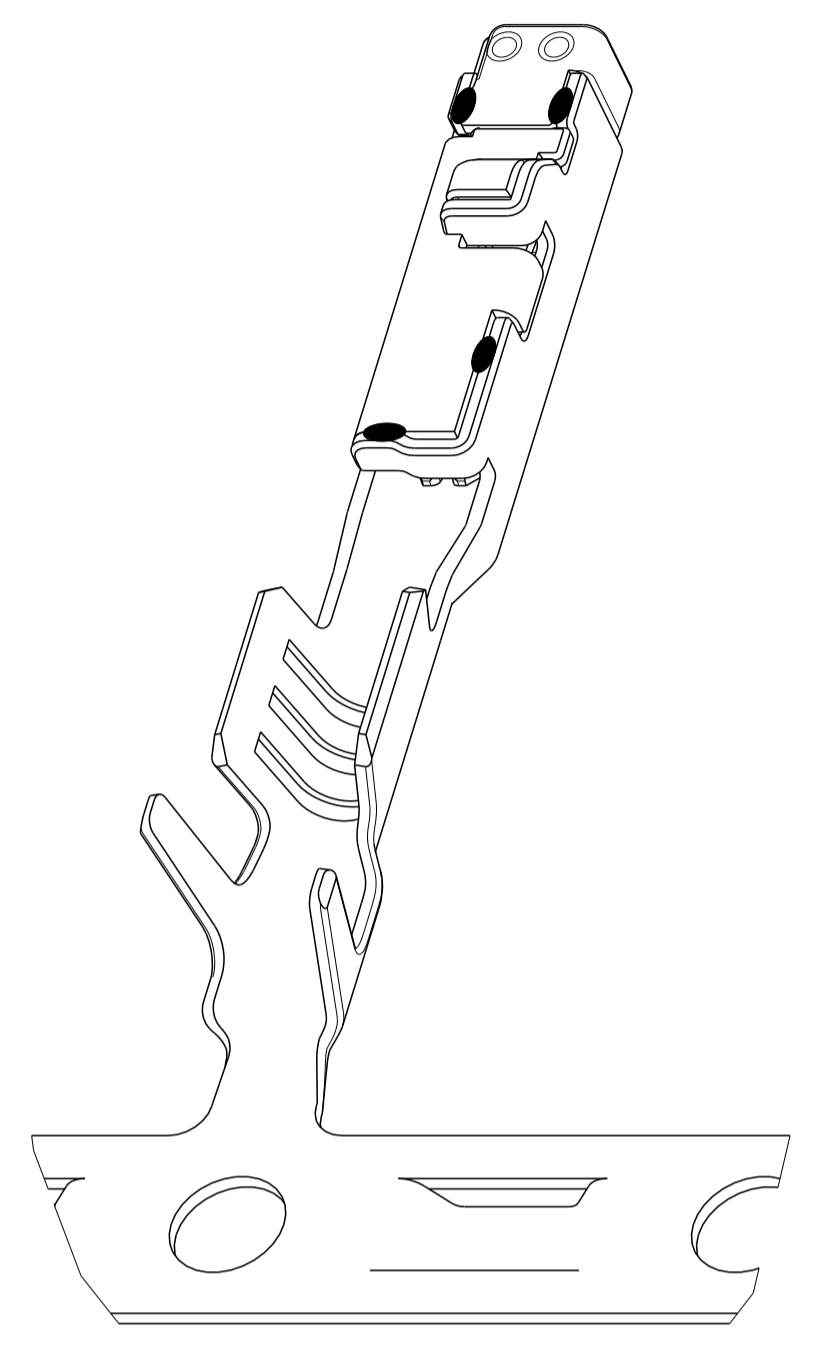
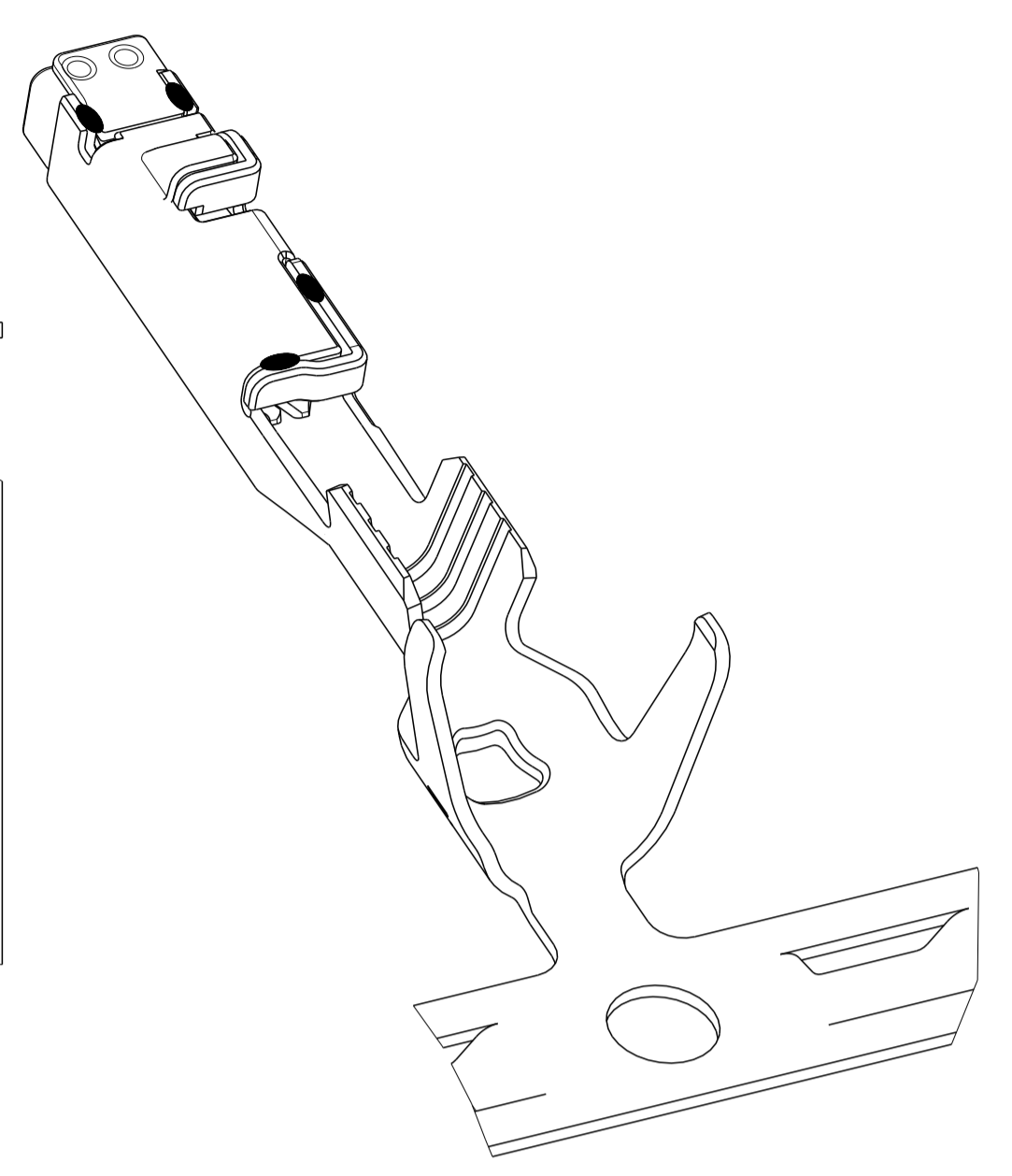
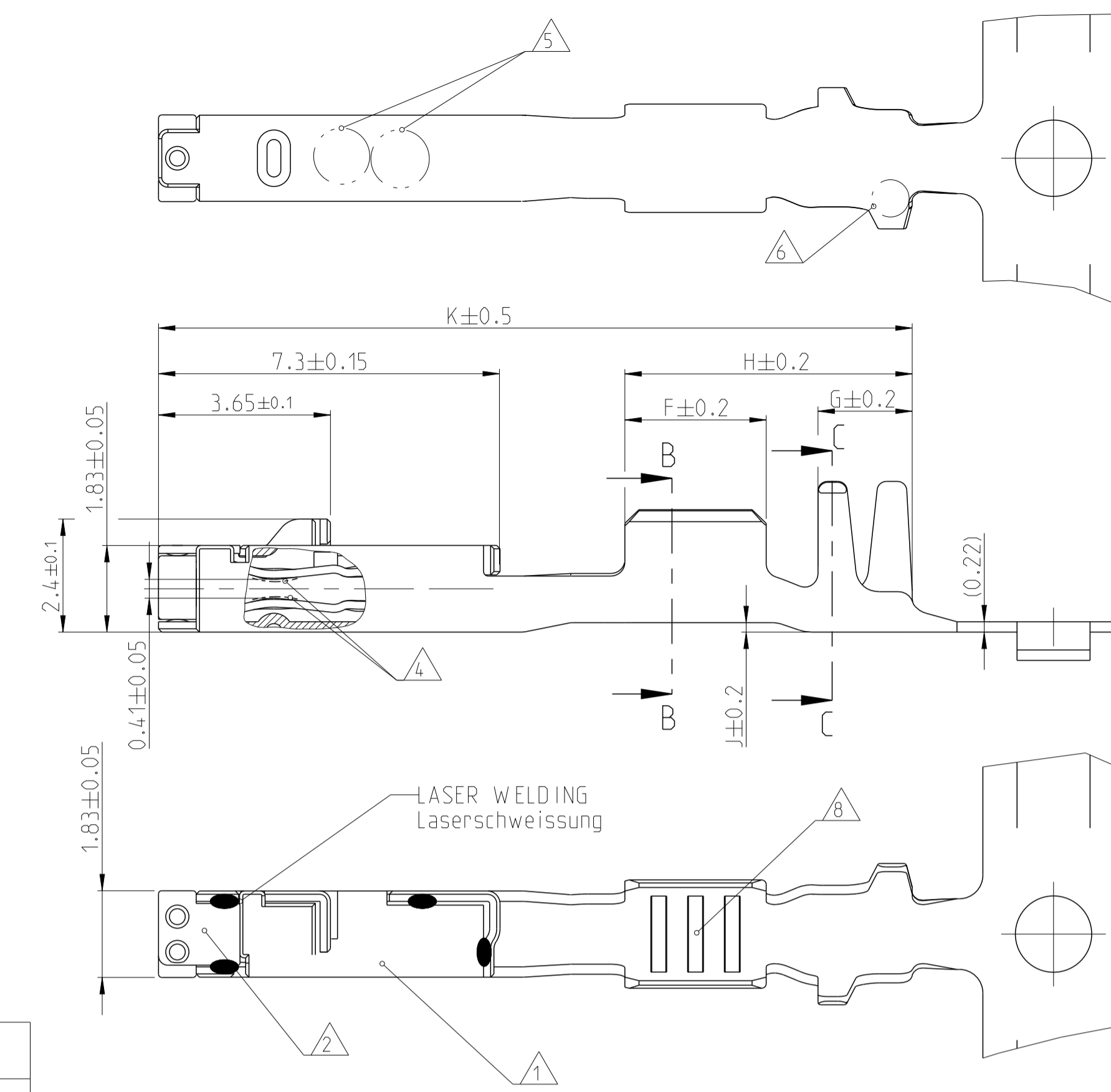
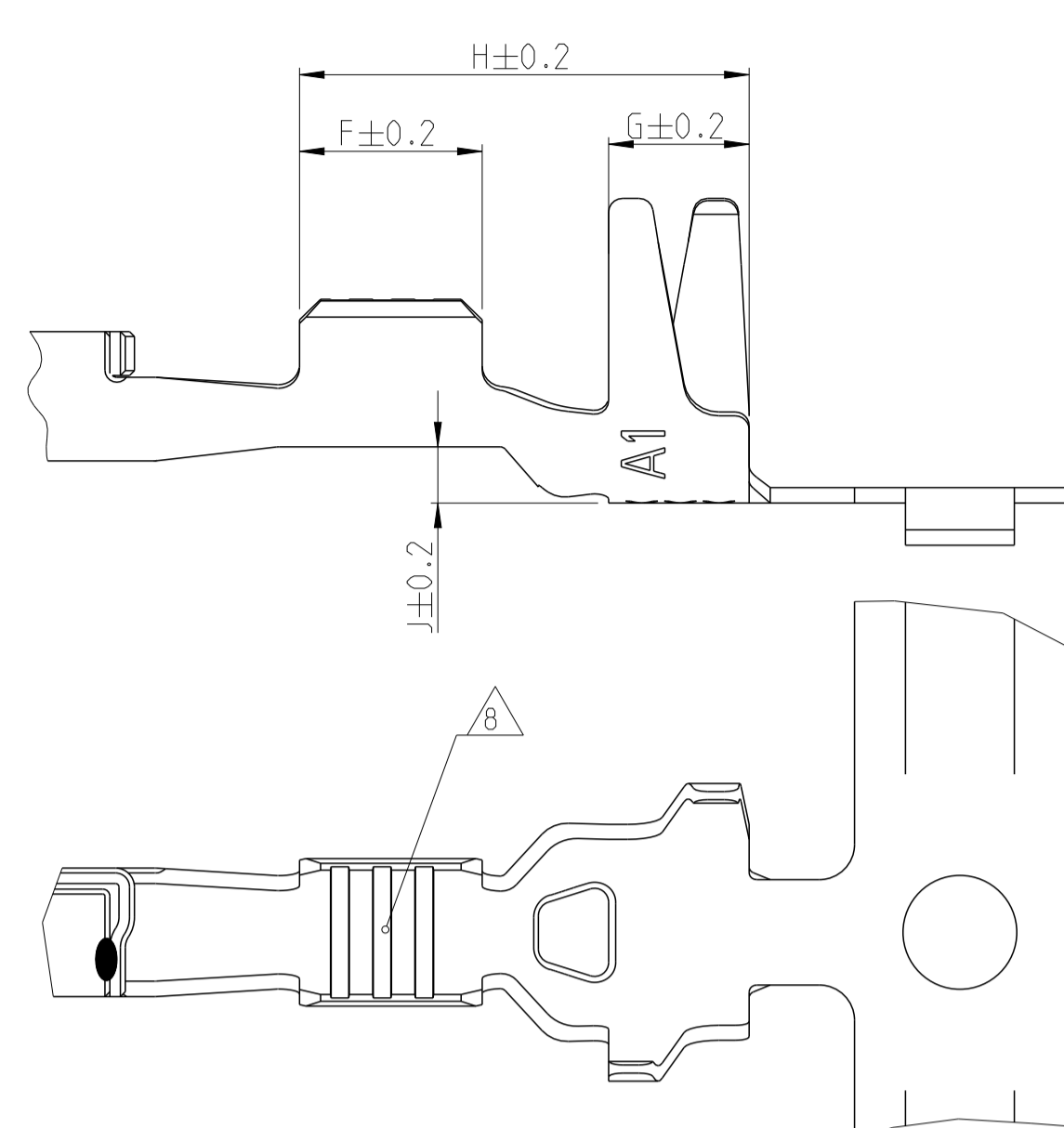


| REVISIONS | | | | | | | |
|-----------|------|----|-----|---|-----------|------|------|
| LOC | DIST | P | LTN | DESCRIPTION | DATE | DMN | APVD |
| A1 | - | G2 | | PN 1394897 AND 1418847 OBSOLETE | 15NOV2012 | S.R. | C.G. |
| | | G3 | | ECR-14-008680 CANCELED | 12JUN2014 | Abf | Raab |
| | | G4 | | Loose Piece Parts removed from Table. ECR-14-012725 | 25AUG2014 | Abf | Raab |
| | | G5 | | Tolerance from dim. J changed (drawing failure) | 02FEB2015 | Ho. | Raab |



| VERSION / Ausführung | Rev. | BODY Kontakt-koerper | SPRING Kontakt-feder | BODY Kontakt-koerper | SPRING Kontakt-feder | RANGE Bereich | AWG | mm ² | INSULATION Isolations-φ | A | (B) | D _{Dr} | C | E | D _{ISO} | WIRE CRIMP Drahtcrimp | ISOLATION CRIMP Isolationscrimp | LOOSE PIECE/ Einzelausführung | F | G | H | J | K | Ø 3.55 [mm] | Ø 3.95 [mm] | TE NO. | MASTER APPLICATION-TOOL Basis Crimp-Werkzeug | DIE-PN FOR BASIC-HAND TOOL 539635-1 ERGO-CRIMP Matrizen PN fuer Basishandzange 539635-1 ERGO-Crimp | EXTRACTION TOOL Ausdruckwerkzeug 0-1579007-8 | EXTRACTION TOOL FOR SECONDARY LOCK 1-1579007-0 Ausdruckwerkzeug fuer zweite Kontaktsicherung | | | |
|-----------------------------------|-----------|----------------------|----------------------|----------------------|--------------------------|--------------------------|-----------|-----------------|-------------------------|------|------|-----------------|------|------|------------------|-----------------------|---------------------------------|-------------------------------|---|---|---|---|---|-------------|-------------|--------|--|--|--|--|--|---|---|
| | | | | | | | | | | | | | | | | | | | | | | | | | | | | | | | AS PRODUCTS ON CARRIERSTRIP wie Bandware | | |
| SINGLE WIRE SEAL / Einzeldichtung | 1418841-3 | - | CuSn0.15 | CuNi3Si | TIN PLATED verzinkt | SILVER PLATED versilbert | 0.14 | 26 | 0.14 | 1.05 | - | - | - | - | - | - | - | - | - | - | - | - | - | - | - | - | - | - | - | - | - | - | |
| | 1418841-2 | - | CuSn0.15 | CuNi3Si | TIN PLATED verzinkt | GOLD PLATED vergoldet | 0.22 | - | 0.22 | 1.2 | 1.55 | 1.55 | 0.65 | 4.25 | 4.3 | 2.6 | - | - | - | - | - | - | - | - | - | - | - | - | - | - | - | - | |
| | 1418841-1 | - | CuSn0.15 | CuNi3Si | TIN PLATED verzinkt | TIN PLATED verzinkt | 0.25-0.35 | 24 | - | 1.1 | 1.85 | 1.85 | 0.8 | 4.25 | 4.3 | 2.6 | - | - | - | - | - | - | - | - | - | - | - | - | - | - | - | - | |
| | 1418844-3 | C | CuSn0.15 | CuNi3Si | TIN PLATED verzinkt | SILVER PLATED versilbert | 0.25-0.35 | 22 | - | 1.75 | - | - | - | - | - | - | - | - | - | - | - | - | - | - | - | - | - | - | - | - | - | - | |
| | 1418844-2 | C | CuSn0.15 | CuNi3Si | TIN PLATED verzinkt | GOLD PLATED vergoldet | 0.5-0.75 | 20 | 0.5 | 1.4 | 2.1 | 2.1 | 1.1 | 4.25 | 4.3 | 2.7 | - | - | - | - | - | - | - | - | - | - | - | - | - | - | - | - | - |
| | 1418844-1 | C | CuSn0.15 | CuNi3Si | TIN PLATED verzinkt | TIN PLATED verzinkt | 0.5-0.75 | 20 | 0.75 | 1.9 | 2.3 | 2.5 | 1.1 | 4.25 | 4.3 | 2.7 | - | - | - | - | - | - | - | - | - | - | - | - | - | - | - | - | - |
| | 1670146-3 | A | CuSn0.15 | CuNi3Si | TIN PLATED verzinkt | SILVER PLATED versilbert | 1.0-1.5 | 18 | - | 1.9 | 2.6 | 2.95 | 1.3 | 4.45 | 4.3 | 2.9 | - | - | - | - | - | - | - | - | - | - | - | - | - | - | - | - | - |
| | 1670146-2 | A | CuSn0.15 | CuNi3Si | TIN PLATED verzinkt | GOLD PLATED vergoldet | 1.0-1.5 | 16 | - | 2.4 | 2.6 | 2.95 | 1.3 | 4.45 | 4.3 | 2.9 | - | - | - | - | - | - | - | - | - | - | - | - | - | - | - | - | - |
| | 1670146-1 | A | CuSn0.15 | CuNi3Si | TIN PLATED verzinkt | TIN PLATED verzinkt | 1.0-1.5 | 16 | - | 2.4 | 2.6 | 2.95 | 1.3 | 4.45 | 4.3 | 2.9 | - | - | - | - | - | - | - | - | - | - | - | - | - | - | - | - | - |
| | 1418847-3 | D | CuSn0.15 | CuNi3Si | TIN PLATED verzinkt | SILVER PLATED versilbert | 0.14-0.22 | 26 | 0.14 | 1.05 | - | - | - | - | - | - | - | - | - | - | - | - | - | - | - | - | - | - | - | - | - | - | - |
| | 1418847-2 | D | CuSn0.15 | CuNi3Si | TIN PLATED verzinkt | GOLD PLATED vergoldet | 0.14-0.22 | - | 0.22 | 1.2 | 1.55 | 1.55 | 0.65 | 2.1 | 2.1 | 1.1 | - | - | - | - | - | - | - | - | - | - | - | - | - | - | - | - | - |
| | 1418847-1 | D | CuSn0.15 | CuNi3Si | TIN PLATED verzinkt | TIN PLATED verzinkt | 0.14-0.22 | - | 0.22 | 1.2 | 1.55 | 1.55 | 0.65 | 2.1 | 2.1 | 1.1 | - | - | - | - | - | - | - | - | - | - | - | - | - | - | - | - | - |
| | 1418850-3 | B | CuSn0.15 | CuNi3Si | TIN PLATED verzinkt | SILVER PLATED versilbert | 0.25-0.35 | 24 | - | 1.1 | 1.85 | 1.85 | 0.8 | 2.65 | 2.65 | 1.4 | - | - | - | - | - | - | - | - | - | - | - | - | - | - | - | - | - |
| | 1418850-2 | B | CuSn0.15 | CuNi3Si | TIN PLATED verzinkt | GOLD PLATED vergoldet | 0.25-0.35 | 22 | - | 1.75 | - | - | - | - | - | - | - | - | - | - | - | - | - | - | - | - | - | - | - | - | - | - | - |
| | 1418850-1 | B | CuSn0.15 | CuNi3Si | TIN PLATED verzinkt | TIN PLATED verzinkt | 0.25-0.35 | 22 | - | 1.75 | - | - | - | - | - | - | - | - | - | - | - | - | - | - | - | - | - | - | - | - | - | - | - |
| | 1452500-3 | - | CuSn0.15 | CuNi3Si | TIN PLATED verzinkt | SILVER PLATED versilbert | 0.5-0.75 | 20 | 0.5 | 1.4 | 2.1 | 2.1 | 1.1 | 2.8 | 2.9 | 1.6 | - | - | - | - | - | - | - | - | - | - | - | - | - | - | - | - | - |
| | 1452500-2 | - | CuSn0.15 | CuNi3Si | TIN PLATED verzinkt | GOLD PLATED vergoldet | 0.5-0.75 | 20 | 0.75 | 1.9 | 2.3 | 2.5 | 1.1 | 3 | 3.2 | 1.75 | - | - | - | - | - | - | - | - | - | - | - | - | - | - | - | - | - |
| | 1452500-1 | - | CuSn0.15 | CuNi3Si | TIN PLATED verzinkt | TIN PLATED verzinkt | 0.5-0.75 | 20 | 0.75 | 1.9 | 2.3 | 2.5 | 1.1 | 3 | 3.2 | 1.75 | - | - | - | - | - | - | - | - | - | - | - | - | - | - | - | - | - |
| 1534594-3 | E | CuSn0.15 | CuNi3Si | TIN PLATED verzinkt | SILVER PLATED versilbert | 1.0-1.5 | 18 | - | 1.9 | 2.6 | 2.95 | 1.3 | 3.75 | 3.95 | 2.1 | - | - | - | - | - | - | - | - | - | - | - | - | - | - | - | - | - | |
| 1534594-2 | E | CuSn0.15 | CuNi3Si | TIN PLATED verzinkt | GOLD PLATED vergoldet | 1.0-1.5 | 16 | - | 2.4 | 2.6 | 2.95 | 1.3 | 3.75 | 3.95 | 2.1 | - | - | - | - | - | - | - | - | - | - | - | - | - | - | - | - | - | |
| 1534594-1 | E | CuSn0.15 | CuNi3Si | TIN PLATED verzinkt | TIN PLATED verzinkt | 1.0-1.5 | 16 | - | 2.4 | 2.6 | 2.95 | 1.3 | 3.75 | 3.95 | 2.1 | - | - | - | - | - | - | - | - | - | - | - | - | - | - | - | - | - | |
| 1670144-3 | A | CuSn0.15 | CuNi3Si | TIN PLATED verzinkt | SILVER PLATED versilbert | 0.5-0.75 | 20 | 0.5 | 1.4 | 2.1 | 2.1 | 1.1 | 2.8 | 2.9 | 1.6 | - | - | - | - | - | - | - | - | - | - | - | - | - | - | - | - | - | |
| 1670144-2 | A | CuSn0.15 | CuNi3Si | TIN PLATED verzinkt | GOLD PLATED vergoldet | 0.5-0.75 | 20 | 0.75 | 1.9 | 2.3 | 2.5 | 1.1 | 3 | 3.2 | 1.75 | - | - | - | - | - | - | - | - | - | - | - | - | - | - | - | - | - | |
| 1670144-1 | A | CuSn0.15 | CuNi3Si | TIN PLATED verzinkt | TIN PLATED verzinkt | 0.5-0.75 | 20 | 0.75 | 1.9 | 2.3 | 2.5 | 1.1 | 3 | 3.2 | 1.75 | - | - | - | - | - | - | - | - | - | - | - | - | - | - | - | - | - | |
| 1394897-3 | E | CuSn0.15 | CuNi3Si | TIN PLATED verzinkt | SILVER PLATED versilbert | 0.14-0.22 | 26 | 0.14 | 1.05 | - | - | - | - | - | - | - | - | - | - | - | - | - | - | - | - | - | - | - | - | - | - | - | |
| 1394897-2 | E | CuSn0.15 | CuNi3Si | TIN PLATED verzinkt | GOLD PLATED vergoldet | 0.14-0.22 | - | 0.22 | 1.2 | 1.55 | 1.55 | 0.65 | 2.1 | 2.1 | 1.1 | - | - | - | - | - | - | - | - | - | - | - | - | - | - | - | - | - | |
| 1394897-1 | E | CuSn0.15 | CuNi3Si | TIN PLATED verzinkt | TIN PLATED verzinkt | 0.14-0.22 | - | 0.22 | 1.2 | 1.55 | 1.55 | 0.65 | 2.1 | 2.1 | 1.1 | - | - | - | - | - | - | - | - | - | - | - | - | - | - | - | - | - | |
| 1452503-3 | C | CuSn0.15 | CuNi3Si | TIN PLATED verzinkt | SILVER PLATED versilbert | 1.0-1.5 | 18 | - | 1.9 | 2.6 | 2.95 | 1.3 | 3.75 | 3.95 | 2.1 | - | - | - | - | - | - | - | - | - | - | - | - | - | - | - | - | - | |
| 1452503-2 | C | CuSn0.15 | CuNi3Si | TIN PLATED verzinkt | GOLD PLATED vergoldet | 1.0-1.5 | 16 | - | 2.4 | 2.6 | 2.95 | 1.3 | 3.75 | 3.95 | 2.1 | - | - | - | - | - | - | - | - | - | - | - | - | - | - | - | - | - | |
| 1452503-1 | C | CuSn0.15 | CuNi3Si | TIN PLATED verzinkt | TIN PLATED verzinkt | 1.0-1.5 | 16 | - | 2.4 | 2.6 | 2.95 | 1.3 | 3.75 | 3.95 | 2.1 | - | - | - | - | - | - | - | - | - | - | - | - | - | - | - | - | - | |

- NOTES
- 1 BODY
 - 2 SPRING
 - 3 ONLY FOR FLR-WIRE SEE DIN 72551. PART 6 AND AWG WIRE ACCORDING DC-SPEC: MS-8288; MS-7889; MS-9532
 - 4 SURFACE
 - a) BODY -PRE TIN 1 TO 3 µm
 - b) SPRING -PRE TIN SnAg 1 TO 3µm -GOLD PLATED MIN. 0.8 µm (ONLY CONTACT AREA) -SILVER PLATED 2 TO 5µm (ONLY CONTACT AREA)
 - 5 STAMPED INDICATOR FOR PLATING:
 - A U GOLD PLATING
 - A G SILVER PLATING
 - TIN PLATING WITHOUT INDICATOR
 - 6 OPTIONAL DATE CODE
 - 7 1394897-1, -2, -3 superseded by 1670144-1, -2, -3 1418847-1, -2, -3 superseded by 1670146-1, -2, -3
- CAUTION! PART NUMBERS 1670144 AND 1670146 ARE PROCESSED WITH OTHER CRIMP HEIGHTS. SEE APPLICATION SPECIFICATION NO.114-18464 UP FROM REVISION "P"
- B DIFFERENT FORM OF THE SERRATIONS POSSIBLE
- Bemerkungen
- 1 Kontaktkoerper
 - 2 Kontaktfeder
 - 3 Nur fuer FLR-Leitung nach DIN 72551. Teil 6 und AWG Leitung nach DC-Spec: MS-8288; MS-7889; MS-9532
 - 4 Oberflaeche
 - a) Kontaktkoerper -verzinkt 1 bis 3 µm
 - b) Kontaktfeder -verzinkt SnAg 1 bis 3µm -galv. vergoldet min. 0.8 µm (nur Kontaktzone) -galv. versilbert 2 bis 5µm (nur Kontaktzone)
 - 5 Markierung fuer galvanische Ausfuehrung:
 - A U vergoldet
 - A G versilbert
 - Verzinkt: ohne Markierung
 - 6 Optional Datumscode
 - 7 1394897-1, -2, -3 ersetzt durch 1670144-1, -2, -3 1418847-1, -2, -3 ersetzt durch 1670146-1, -2, -3
- ACHTUNG! Teilenummern 1670144 und 1670146 werden mit anderen Crimphoehen verarbeitet. Siehe Verarbeitungsspezifikation Nr.114-18464 ab Revision "P"
- B Unterschiedliche Ausfuehrung der Rillen moeglich

THIS DRAWING IS A CONTROLLED DOCUMENT.

TOLERANCING ISO 8015 TOLERIERUNG ISO 8015

DMN: G. Hotea 17AUG2001
 CHK: E. Herth 11MAR2002
 APVD: H. Wendling 12MAR2002

NAME: MCON 1.2 CB (CLEAN BODY)

SIZE: 108-18782 APPLICATION SPEC
 WEIGHT: 0.18 g

Customer Drawing

SCALE: 10:1 SHEET 1 OF 1 REV: G5