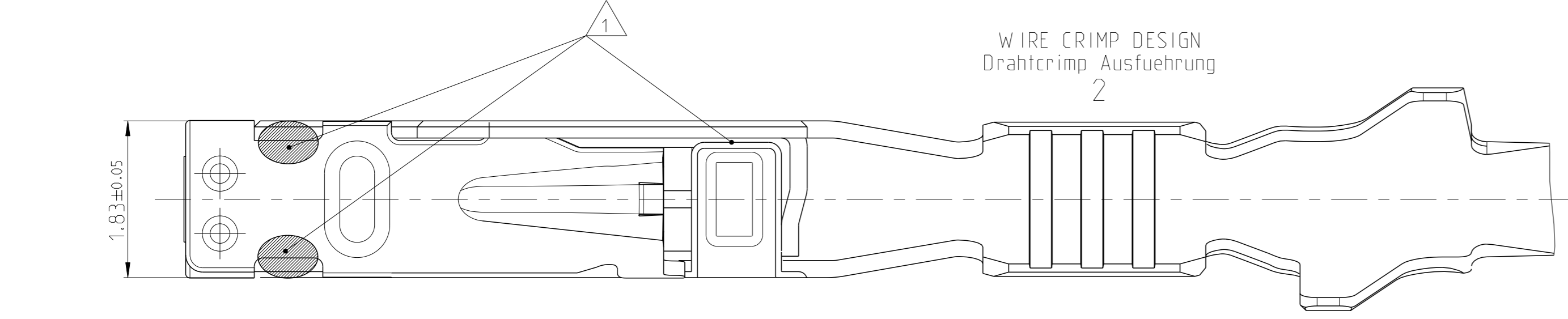
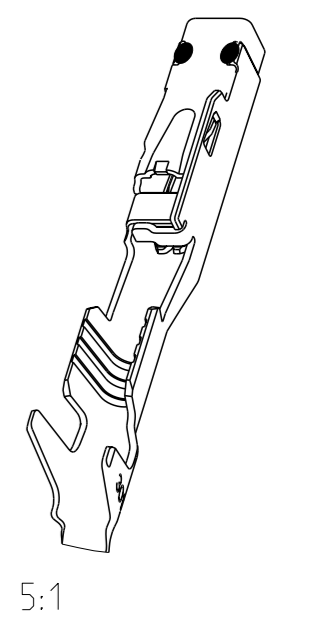
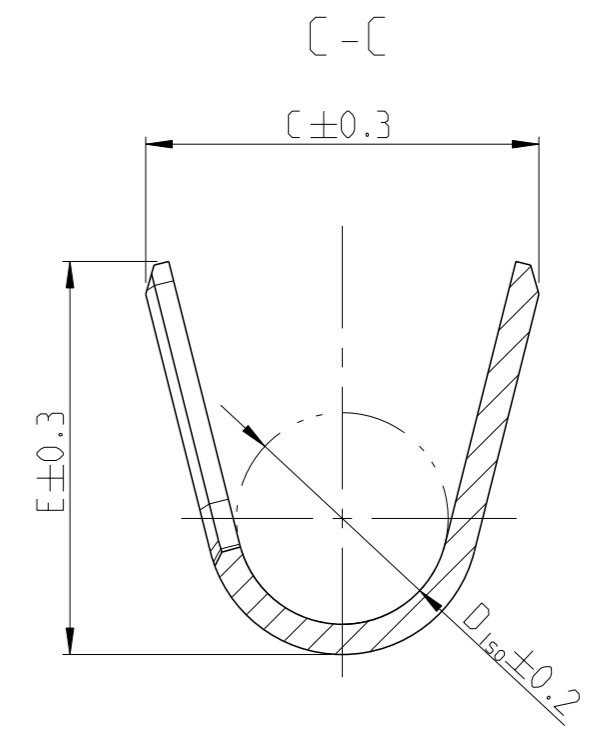
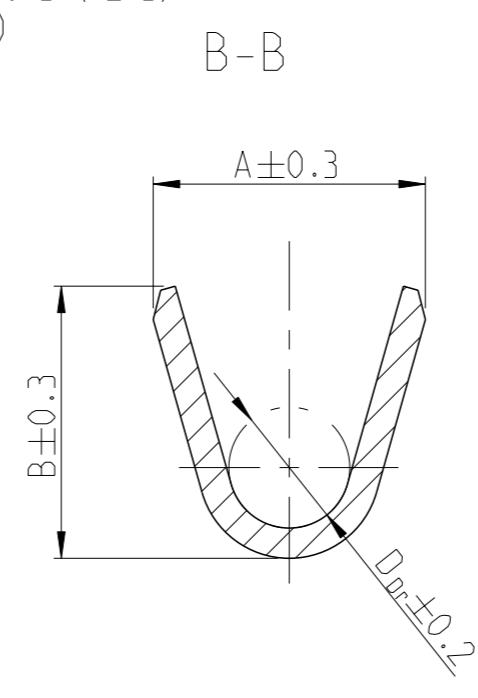
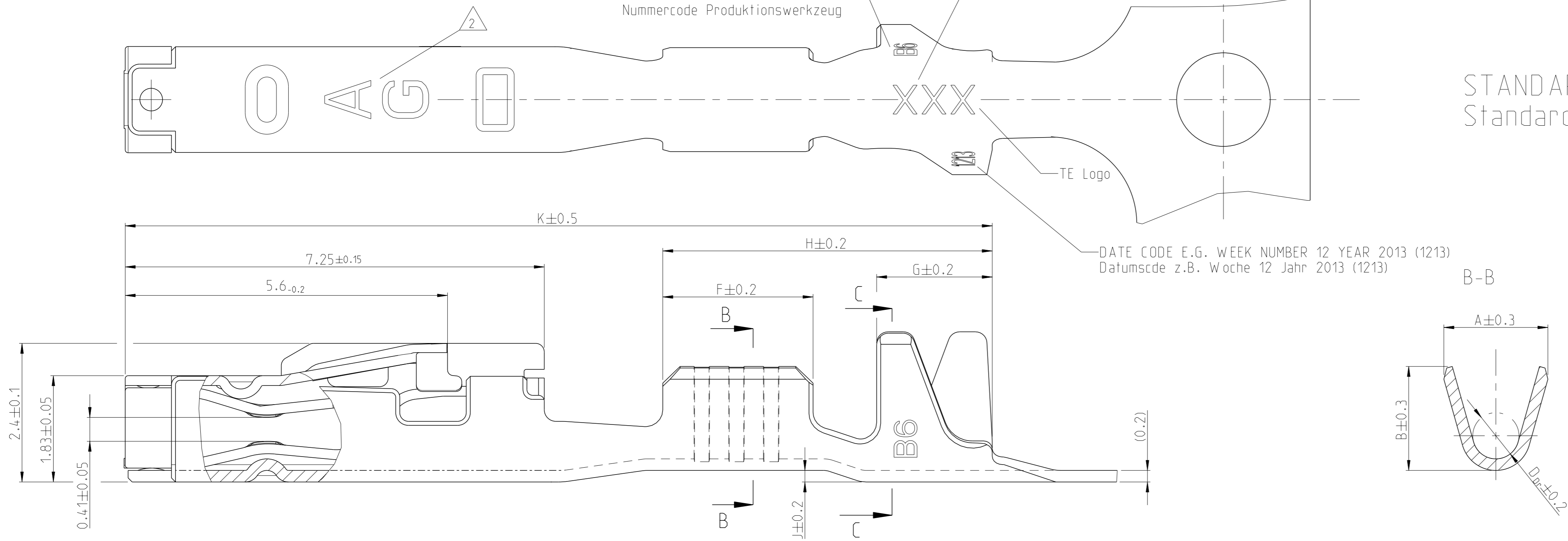


REVISION Aenderungsstand /
 NUMBER CODE PRODUCTION TOOL
 Nummernote Produktionswerkzeug

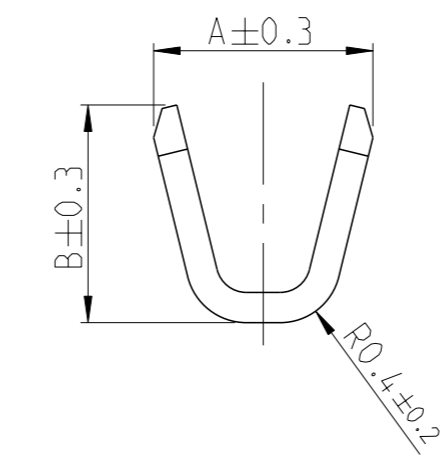
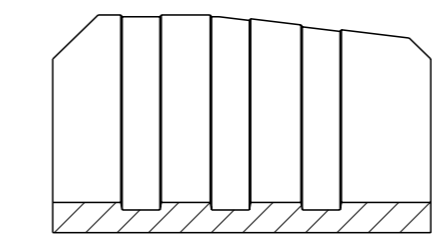
MANUFACTURING LOCATION CODE
 Kennzahl Produktionsstandort

STANDARD APPLICATION
 Standard Anwendung

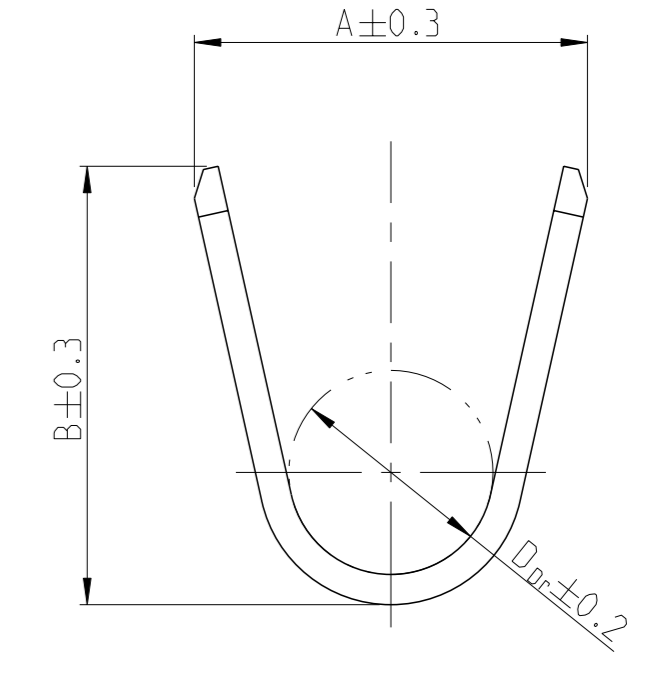
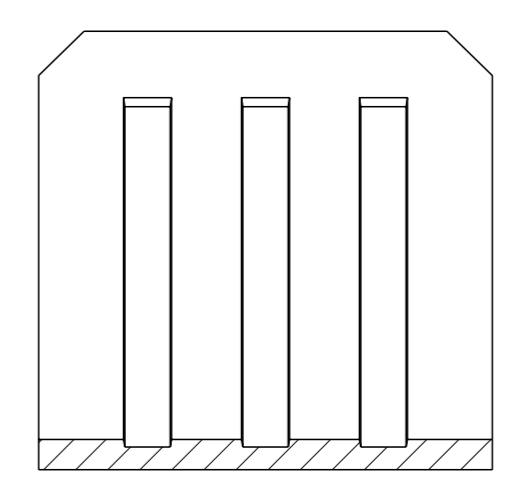


WIRE CRIMP DESIGN
 Drahtcrimp Ausfuehrung
 2

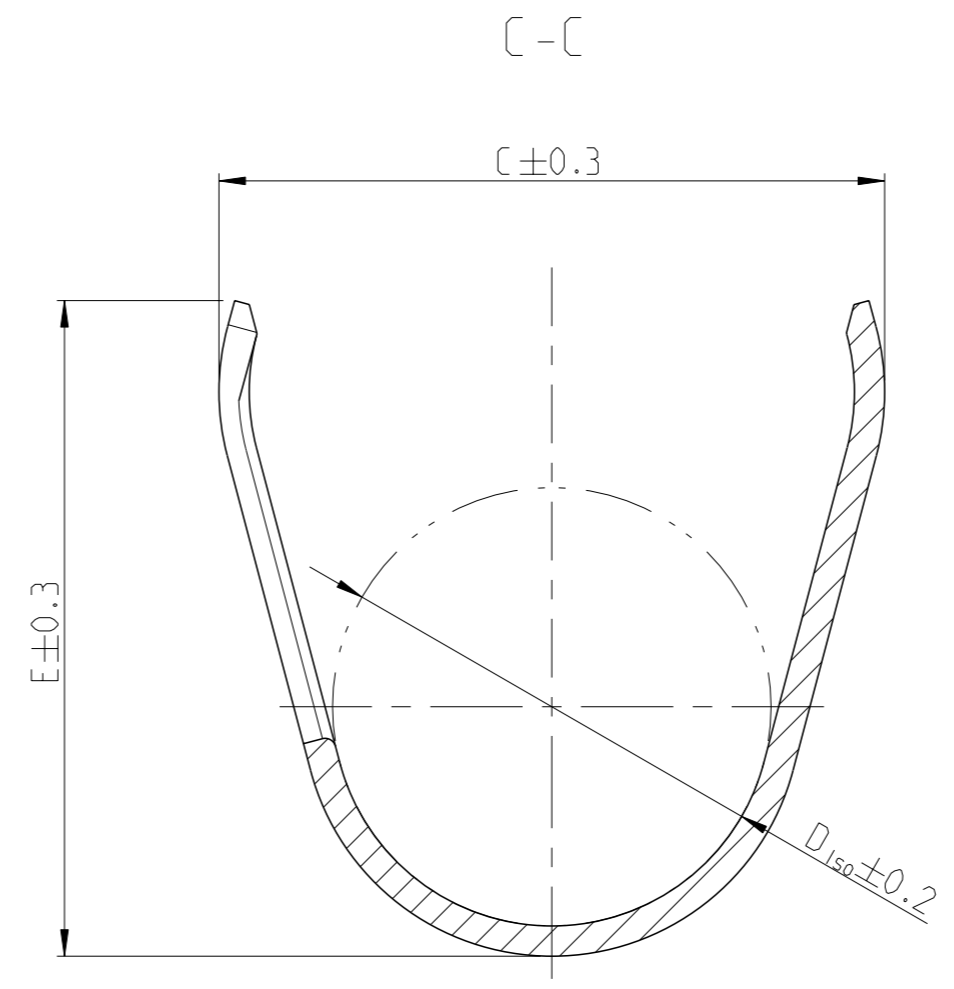
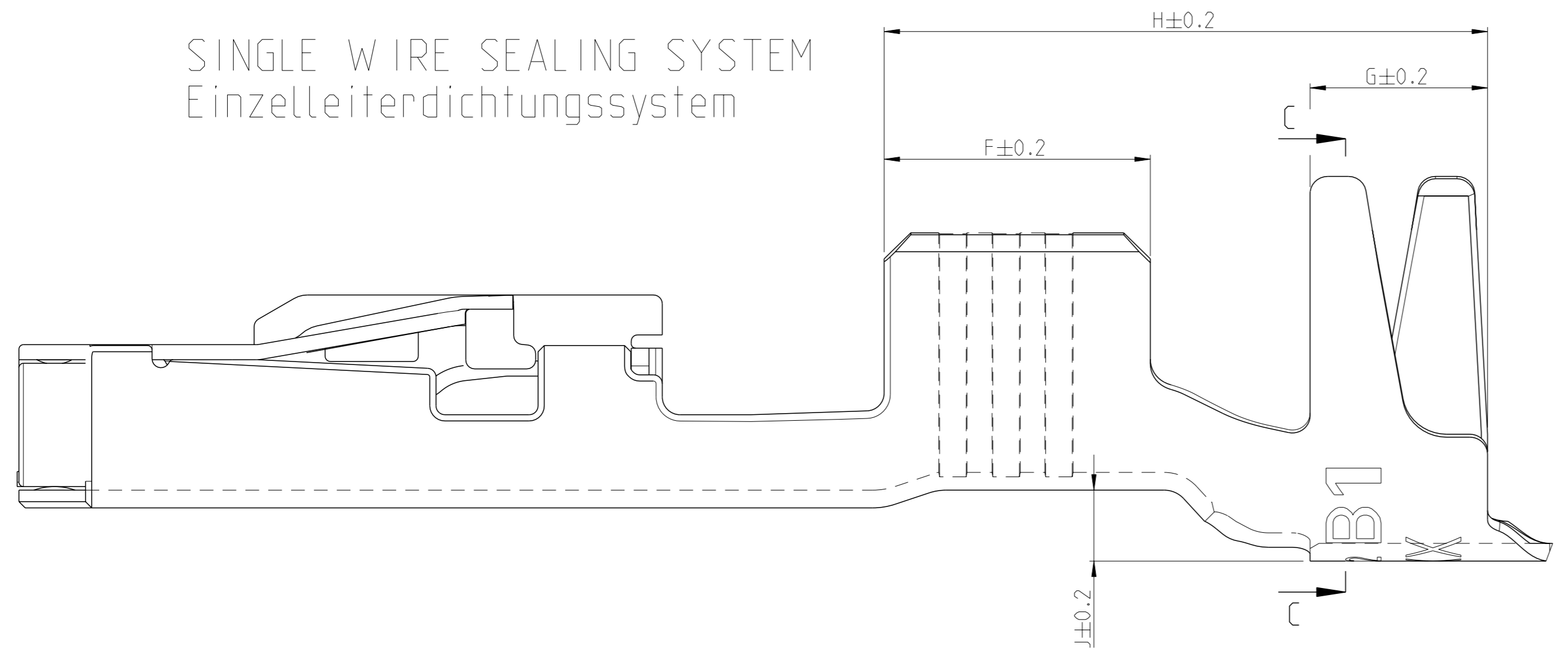
WIRE CRIMP DESIGN
 Drahtcrimp Ausfuehrung
 1



WIRE CRIMP DESIGN
 Drahtcrimp Ausfuehrung
 3



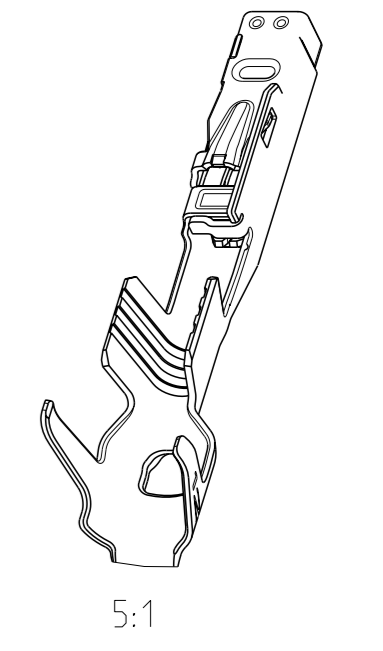
SINGLE WIRE SEALING SYSTEM
 Einzelleiterdichtungssystem



NOTES
 Bemerkungen

- 1 LASER WELDED
 Lasergeschweisst
- 2 STAMPED INDICATOR FOR PLATING:
 - AU GOLD PLATING
 - AG SILVER PLATING
 - TIN PLATING WITHOUT INDICATOR
 Markierung fuer galvanische Ausfuehrung:
 - AU verguldet
 - AG versilbert
 - verzinkt: ohne Markierung

3 TO BE USED ON TAB
 1.2±0.1 x 0.6±0.03 MM
 geeignet fuer Flachstecker
 1.2±0.1 x 0.6±0.03 mm



THIS DRAWING IS A CONTROLLED DOCUMENT.		OWN E. Horn	11NOV2011	TE Connectivity NAME MCON 1.2 LL (LOCKING-LANCE)
DIMENSIONS: mm		CHK R. Meier	11NOV2011	
TOLERANCES UNLESS OTHERWISE SPECIFIED: ±0.2		APVD V. Seigel	11NOV2011	SIZE 108-18782
MATERIAL		FINISH		APPLICATION SPEC 114-18464
WEIGHT 0.18 g		Customer Drawing		RESTRICTED TO -
SCALE 20:1		SHEET 1 of 2		REV C7

LOC	DIST	REVISIONS			
A1	-	REV	DATE	OWN	APVD
		1	SEE SHEET 1	-	-

VERSION / Ausführung	REV.	RANGE Bereich	INSULATION-Ø Isolations-Ø (mm)	AWG	mm ²	BODY Kontakt-körper	SPRING Kontakt-feder	BODY Kontakt-körper	SPRING Kontakt-feder	DESIGN WIRE-CRIMP Ausführung Draht-Crimp	C7											SINGLE WIRE SEAL FOR CAVITY DIAMETER	BLINDPLUG ORDER NO. Blindstopfen Bestell-Nr.	APPLICATION TOOLS Verarbeitungswerkzeuge	
											A	B	D _{Dr}	C	E	D _{ISO}	F	G	H	J	K				
STANDARD APPLICATION Standardanwendung	2141970-3	A	0.13-	0.95-	-	0.13	CuSn4	CuNiSi	8	7	1	1.5	1.4	-	4.0	3.9	2.6	2.5	1.9	6.2	0.6	16	SEE APPLICATION SPEC. 114-18464 siehe Verarbeitungsspez. 114-18464		
	2141970-2	A	0.22	0.95-	-	0.17				6															
	2141970-1	A	9	1.2	-	0.22				5															
	7-1452665-3	A	0.25-	1.1-	-	0.25				7															
	7-1452665-2	A	24	-	-	0.35				6															
	7-1452665-1	A	0.35	1.75	22	-				5															
	7-1452668-3	A	0.5-	1.4-	20	0.5				7															
	7-1452668-2	A	0.75	1.9	-	0.75				6															
	7-1452668-1	A	18	-	-	-				5															
	7-1452671-3	A	1-	1.9-	-	1				7															
	7-1452671-2	A	16	-	-	-				6															
	7-1452671-1	A	1.5	2.4	-	1.5				5															
STANDARD APPLICATION Standardanwendung	2141861-3	A	0.13-	0.95-	-	0.13	CuSn4	CuNiSi	8	7	1	1.5	1.4	-	2.0	1.9	1.1	2.5	1.7	5.4	0	15			
	2141861-2	A	0.22	0.95-	-	0.17				6															
	2141861-1	A	9	1.2	-	0.22				5															
	7-1452653-3	A	0.25-	1.1-	-	0.25				7															
	7-1452653-2	A	24	-	-	0.35				6															
	7-1452653-1	A	0.35	1.75	22	-				5															
	7-1452656-3	A	0.5-	1.4-	20	0.5				7															
	7-1452656-2	A	0.75	1.9	-	0.75				6															
	7-1452656-1	A	18	-	-	-				5															
	7-1452659-3	A	1-	1.9-	-	1				7															
	7-1452659-2	A	16	-	-	-				6															
	7-1452659-1	A	1.5	2.4	-	1.5				5															

7- VARIANTS FOR NEW APPLICATIONS

- NOTES
Bemerkungen
- 4 ONLY FOR FLR-WIRE SEE DIN 72551, PART 6 AND AWG WIRE ACCORDING DC-SPEC: MS-8288 ; MS-7889 ; MS-9532
Nur fuer FLR-Leitung nach DIN 72551, Teil 6 und AWG Leitung nach DC-SPEC: MS-8288 ; MS-7889 ; MS-9532
 - 5 PRE TIN SnAg 1.0 TO 3.0µm
Vorverzinkt SnAg 1.0 bis 3.0µm
 - 6 SPRING GOLD PLATED MIN. 0.8µm (only contact area)
Kontaktfeder galv. vergoldeft min.0.8µm (nur Kontaktzone)
 - 7 SPRING SILVER PLATED 2.0 TO 5.0µm (only contact area)
Kontaktfeder galv. versilbert 2.0 bis 5.0µm (nur Kontaktzone)
 - 8 BODY PRE TIN Sn 1.0 TO 3.0µm
Kontaktkoerper vorverzinkt Sn 1.0 bis 3.0µm
 - 9 REINFORCED WIRE ACCORDING TO LV 112-4
Zugverstaerkte Leitung nach LV 112-4

VERSION / Ausführung	REV.	RANGE Bereich	INSULATION-Ø Isolations-Ø (mm)	AWG	mm ²	BODY Kontakt-körper	SPRING Kontakt-feder	BODY Kontakt-körper	SPRING Kontakt-feder	DESIGN WIRE-CRIMP Ausführung Draht-Crimp	C7											SINGLE WIRE SEAL FOR CAVITY DIAMETER	BLINDPLUG ORDER NO. Blindstopfen Bestell-Nr.	APPLICATION TOOLS Verarbeitungswerkzeuge	
											A	B	D _{Dr}	C	E	D _{ISO}	F	G	H	J	K				
STANDARD APPLICATION Standardanwendung	0-1452665-3	B	0.25-	1.1-	-	0.25	CuSn0.15/0.2	CuNiSi	5	7	2	1.8	1.8	0.8	4.2	4.3	2.6	2.6	2.0	6.4	0.8	16	SEE APPLICATION SPEC. 114-18464 siehe Verarbeitungsspez. 114-18464		
	0-1452665-2	B	0.35	1.75	-	0.35				6															
	0-1452665-1	B	22	-	-	-				5															
	0-1452668-3	C	0.5-	1.4-	20	0.5				7															
	0-1452668-2	C	0.75	1.9	-	0.75				6															
	0-1452668-1	C	18	-	-	-				5															
	0-1452671-3	B	1-	1.9-	-	1				7															
	0-1452671-2	B	16	-	-	-				6															
	0-1452671-1	B	1.5	2.4	-	1.5				5															
	0-1452653-3	B	0.25-	1.1-	-	0.25				7															
	0-1452653-2	B	0.35	1.75	-	0.35				6															
	0-1452653-1	B	22	-	-	-				5															
0-1452656-3	C	0.5-	1.4-	20	0.5	7																			
0-1452656-2	C	0.75	1.9	-	0.75	6																			
0-1452656-1	C	18	-	-	-	5																			
0-1452659-3	B	1-	1.9-	-	1	7																			
0-1452659-2	B	16	-	-	-	6																			
0-1452659-1	B	1.5	2.4	-	1.5	5																			

0- VARIANTS SUPERSEDED BY 7- VARIANTS (SEE TABLE ON TOP)

THIS DRAWING IS A CONTROLLED DOCUMENT.

OWN: E. Horn	11NOV2011	STE TE Connectivity
CHK: R. Meier	11NOV2011	
APVD: V. Seigel	11NOV2011	NAME: MCON 1.2 LL (LOCKING-LANCE)
DIMENSIONS: mm		SIZE: A1
TOLERANCES UNLESS OTHERWISE SPECIFIED:		CAGE CODE: 00779
DRAWING: 108-18782		DRAWING NO: 1452674
APPLICATION SPEC: 114-18464		RESTRICTED TO: -
MATERIAL: -		WEIGHT: -
FINISH: -		SCALE: -
Customer Drawing		SHEET 2 OF 2