

THIS DRAWING IS UNPUBLISHED.

RELEASED FOR PUBLICATION

1998

© COPYRIGHT 1998

ALL RIGHTS RESERVED.

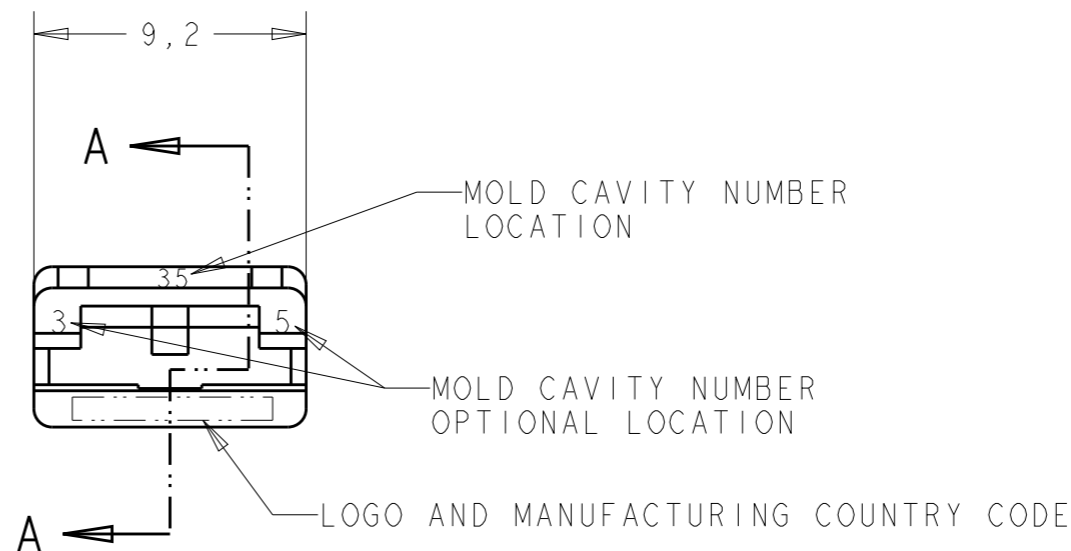
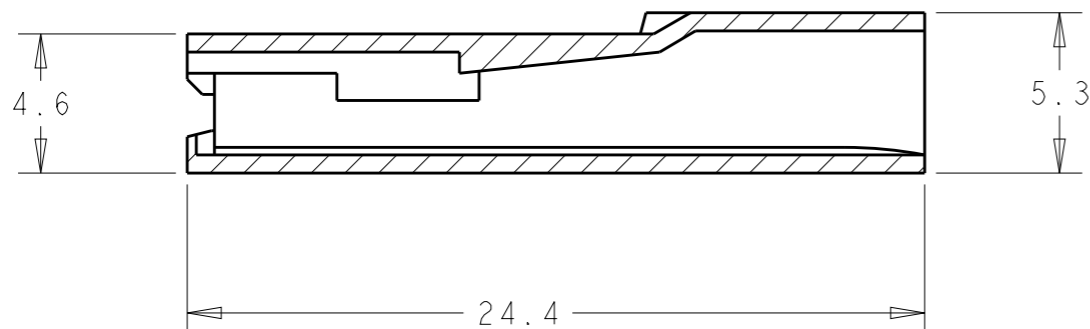
LOC
AP

DIST
-

REVISIONS

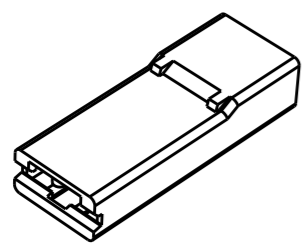
P	LTR	DESCRIPTION	DATE	DWN	APVD
	V10	REV. BY ECO 17-010816	26JUL2017	HC	WLS

SECTION A-A
SCALE 4:1



- ① - PA 6.6 ACCORDING TO SPEC. IEC 60335-1 GWT 750°C WITHOUT FLAME.
- ② - PA 6.6 94 V-2 THERMO STABILIZED.
- ③ - PACKAGING QUANTITY: 15000 PIECES IN A BOX.
- ④ - PAKAGING: 25 PLASTIC BAGS WITH 300 PIECES EACH IN A BOX. TOTAL 7500 PIECES/BOX
- ⑤ - SUPERSEDED BY 2-2133346-0.

	NEGRO/BLACK	POLYAMIDE 6/6 V-2	8-735075-2	④
OBSOLETE ⑤	NEGRO/BLACK	POLYAMIDE 6/6 V-2	8-735075-1	⑤
	NATURAL/CLEAR	POLYAMIDE 6/6 V-0	8-735075-0	①
	NATURAL/CLEAR	POLYAMIDE 6/6 V-0	6-735075-0	
	NATURAL/CLEAR	POLYAMIDE 6/6 V-0	2-735075-6	③
	NEGRO/BLACK	PA 6.6 V-2	1-735075-5	
	AMARELO/YELLOW		1-735075-4	
	AZUL/BLUE		1-735075-3	
	VERMELHO/RED		1-735075-1	
	NATURAL/CLEAR		1-735075-0	
	NEGRO/BLACK		735075-5	
OBSOLETE	VERDE/GREEN	POLIPROPILENO/POLYPROPYLENE	735075-2	③
OBSOLETE	VERMELHO/RED		735075-1	③
	NATURAL/CLEAR		735075-0	
	COR/COLOR	MATERIAL	PART NUMBER	



THIS DRAWING IS A CONTROLLED DOCUMENT.

DWN H. CANTERI 06DEC2012
 CHK W.L. STEFANI 07DEC2012
 APVD -

PRODUCT SPEC 108-22033
 APPLICATION SPEC -
 WEIGHT -

STE TE Connectivity

NAME POST INSULATION FASTON
 6,35 mm. HSG.

SIZE A3 CAGE CODE 00779 DRAWING NO. C-735075 RESTRICTED TO -

Customer Drawing SCALE - SHEET 1 OF 1 REV V10

DIMENSIONS:	TOLERANCES UNLESS OTHERWISE SPECIFIED:
mm	
0 PLC	±
1 PLC	±
2 FC	± GENERAL
3 FC	± TOLERANCES
4 PLC	± ±0.3
ANGLES	±1
FINISH	

MATERIAL SEE TABLE