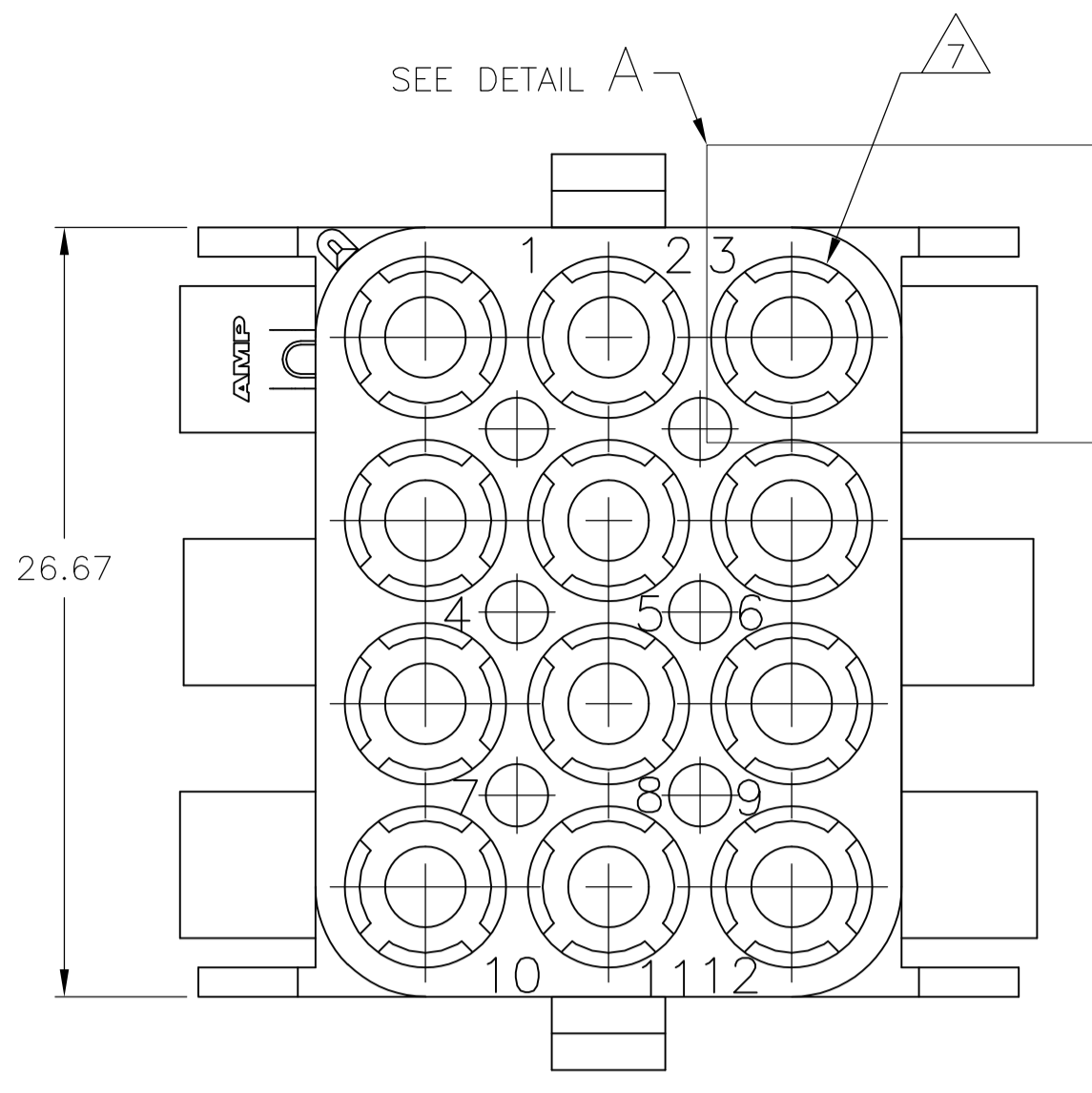
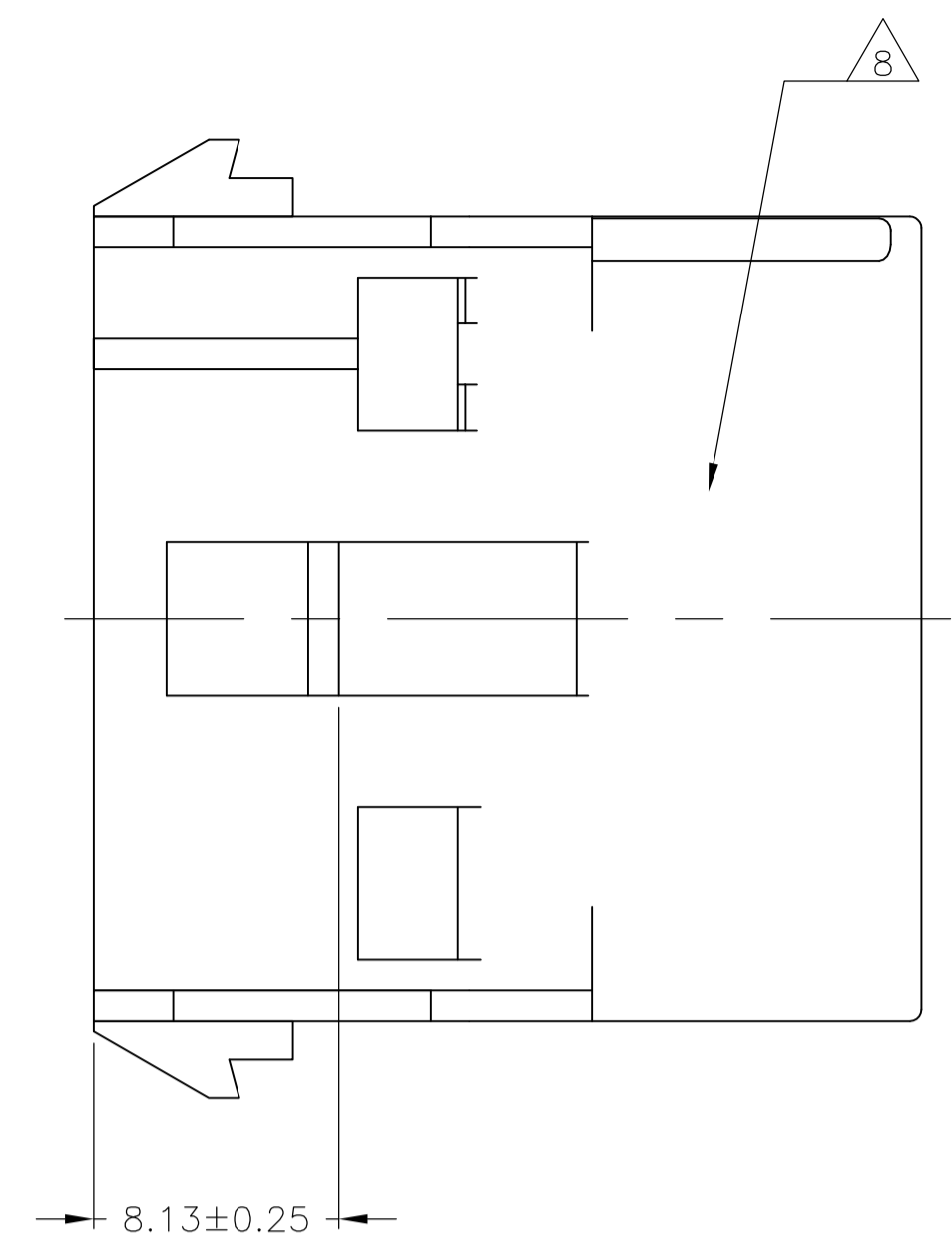
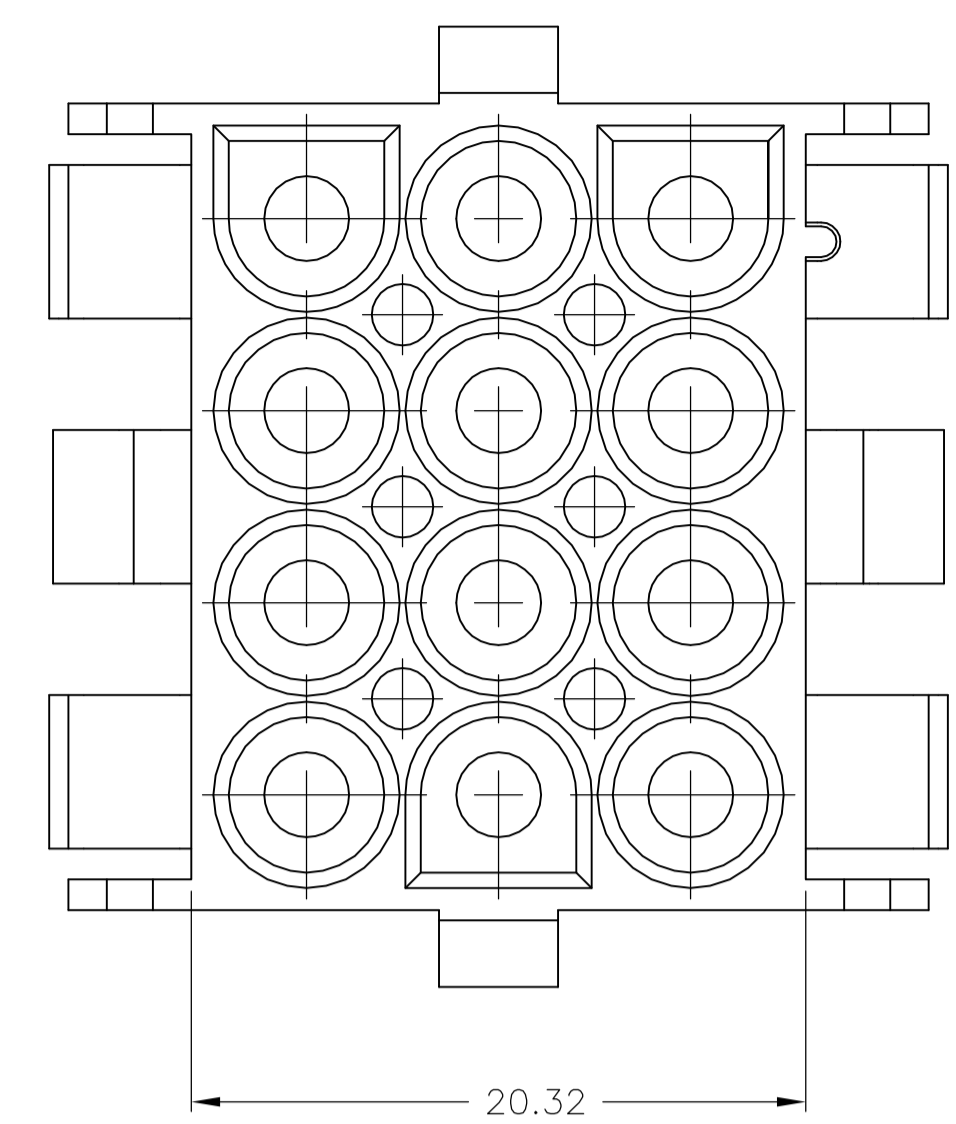
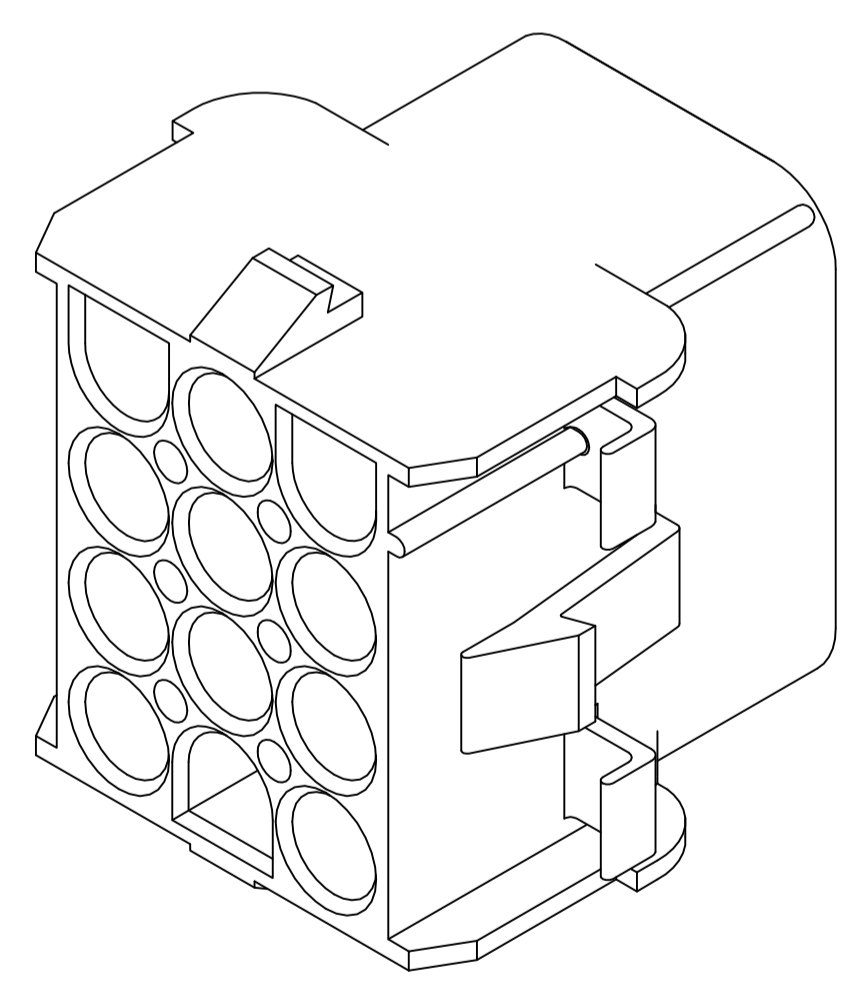
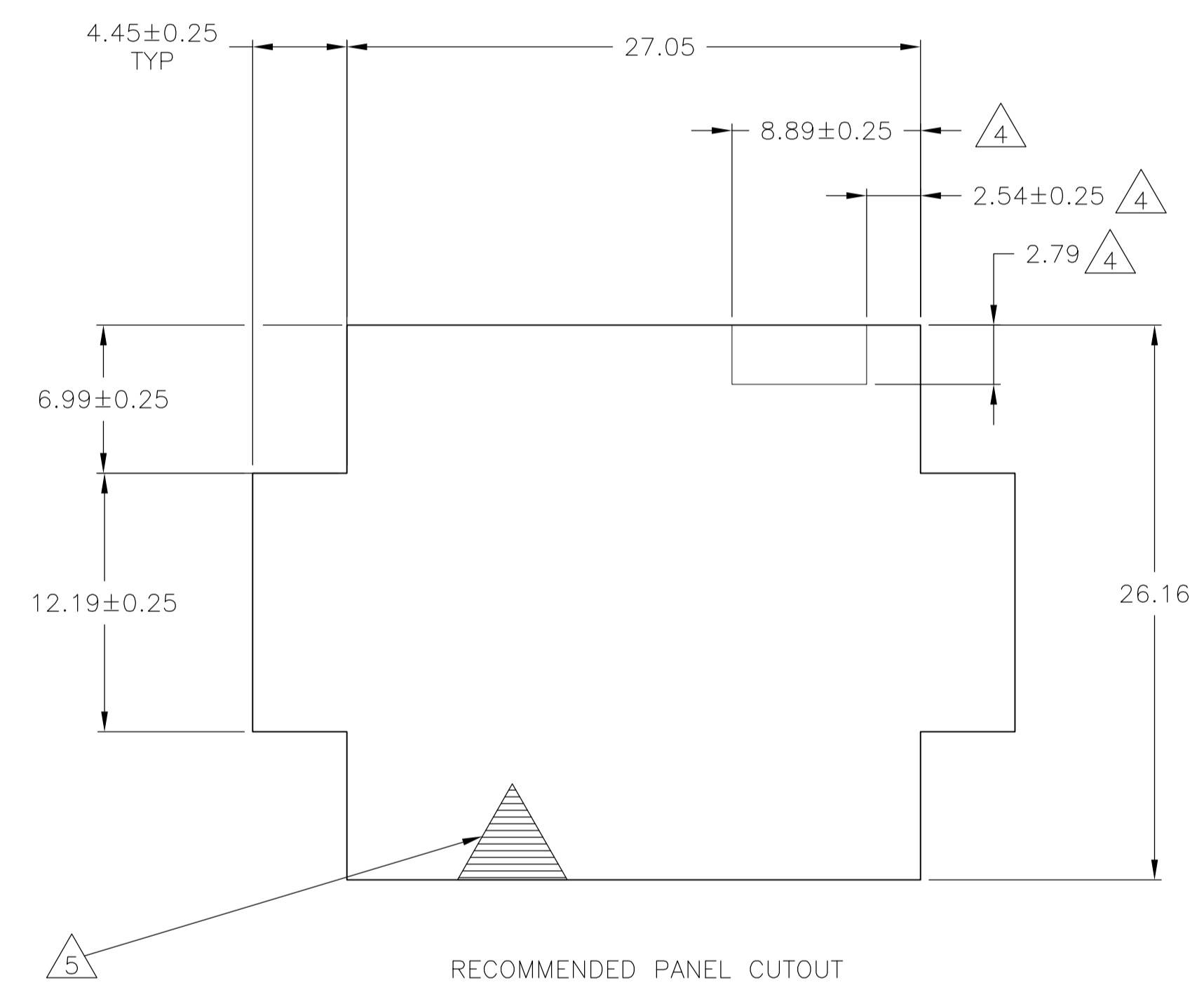
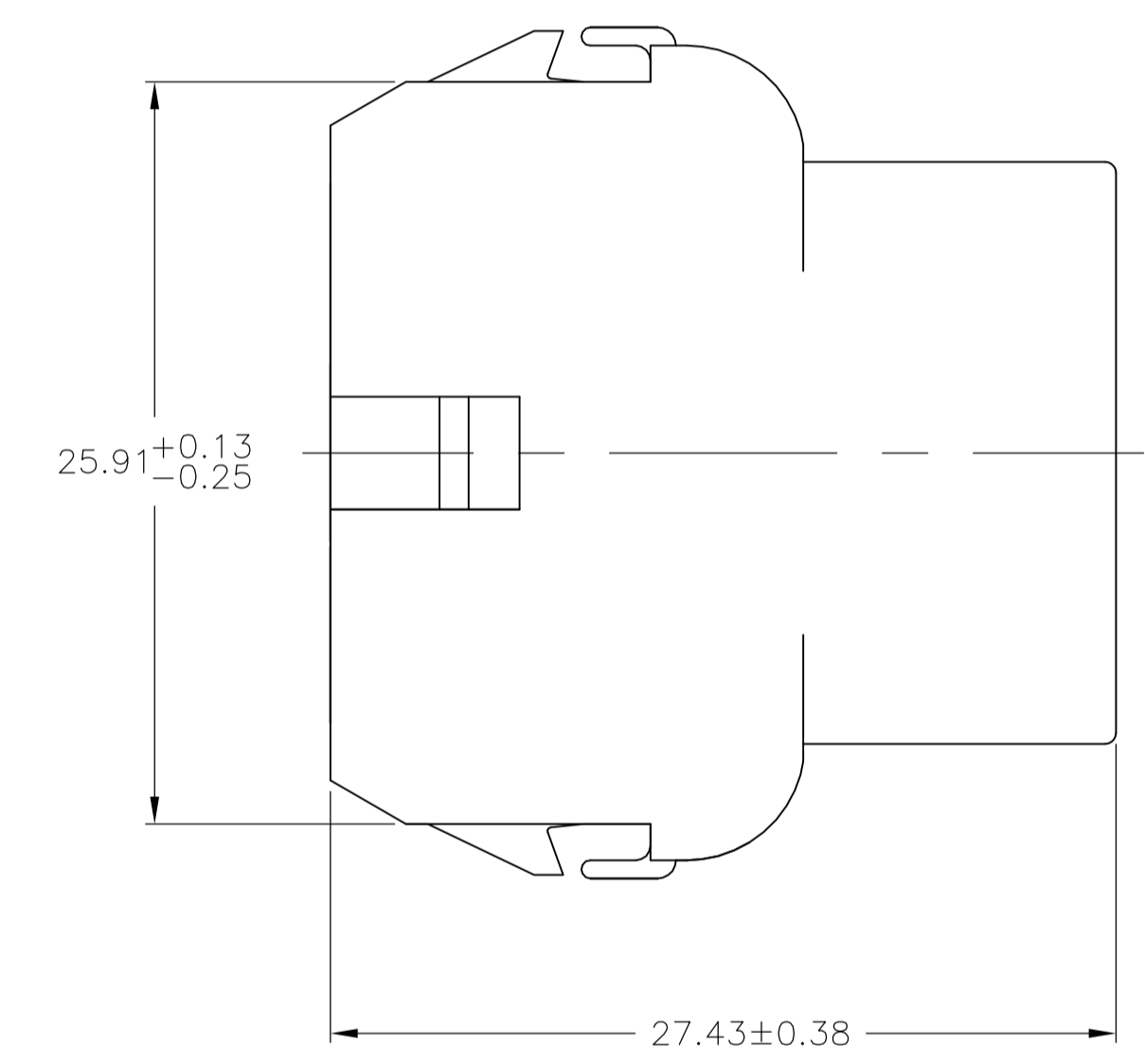
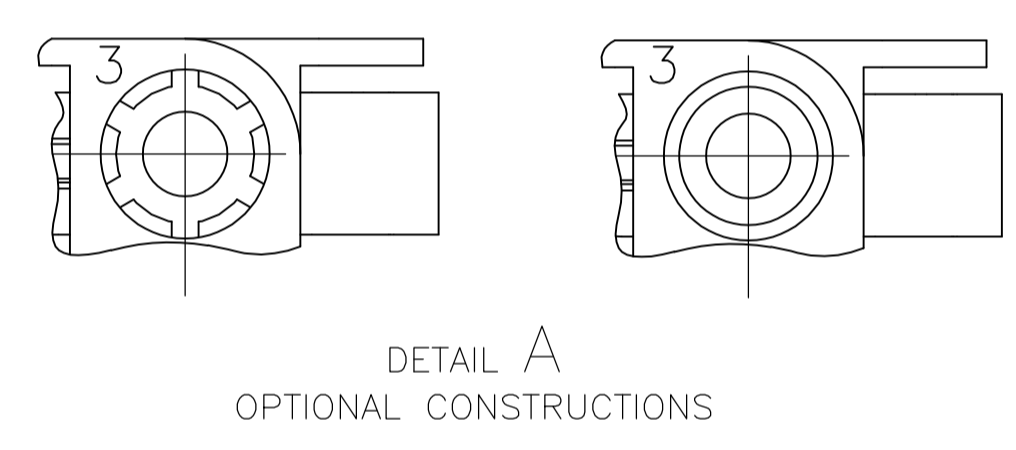


LOC		DIST		REVISIONS			
CM	00	REV	DATE	BY	APPROV		
AL3	REVISED PER ECR-17-008392		26JUN2017	BW	KR		



1. MATE WITH APPROPRIATE UNIVERSAL MATE-N-LOCK™ PLUG.
2. RECOMMENDED PANEL THICKNESS 0.75 - 2.29.
3. PANEL MUST BE PUNCHED SO THAT THE HOUSING ENTERS THE PANEL IN THE SAME DIRECTION AS THE PUNCH.
4. OPTIONAL FOR KEYING HOUSING IN PANEL.
5. CIRCUIT NUMBER 1 LOCATION.
6. DIMENSIONS SHOWN REPRESENT PRODUCT IN DRY, AS MOLDED, CONDITION. ADDITIONAL 2% GROWTH DUE TO SUBSEQUENT MOISTURE ABSORPTION MAY OCCUR AND SHOULD BE ACCOUNTED FOR.
7. FOUR RIBS EQUALLY SPACED, NO SPECIFIC ORIENTATION. NO RIBS OR SIX RIBS EQUALLY SPACED, NO SPECIFIED ORIENTATION, OPTIONAL.
8. UNDERWRITERS RECOGNIZED COMPONENT LOGO AND CSA CERTIFICATION LOGO TO BE LOCATED ONCE EACH ON SIDE OF HOUSING.
9. OBSOLETE PARTS: OBSOLETE CIS STREAMLINING PER D.RENAUD/D.SINISI



3-DIMENSIONAL MODEL NTS

MM	IN	MM	IN
6.99	.275	27.43	1.080
4.45	.175	27.05	1.065
2.79	.110	26.67	1.050
2.54	.100	26.16	1.030
2.29	.090	25.91	1.020
0.76	.030	20.32	.800
0.38	.015	12.19	.480
0.25	.010	8.89	.350
0.13	.005	8.13	.320
MM	IN	MM	IN

CONVERSION TABLE

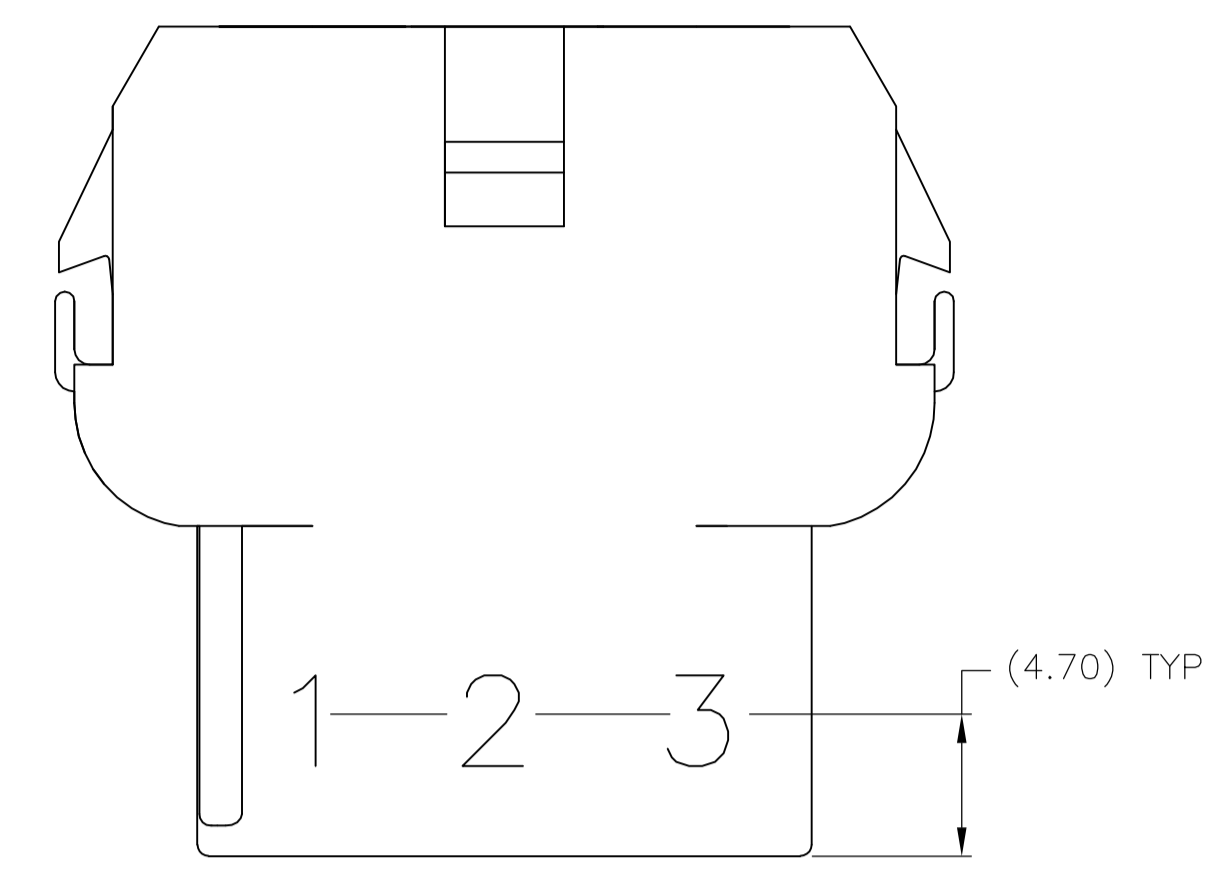
9	OBSOLETE	BLACK	1-480709-9
9	OBSOLETE	GRAY	1-480709-8
		BLUE	1-480709-6
9	OBSOLETE	GREEN	1-480709-5
		YELLOW	1-480709-4
9	OBSOLETE	ORANGE	1-480709-3
		RED	1-480709-2
9	SUPERSEDED BY 1-480709-0	BROWN	1-480709-1
		NATURAL	1-480709-0
		COLOR	PART NO

THIS DRAWING IS A CONTROLLED DOCUMENT.

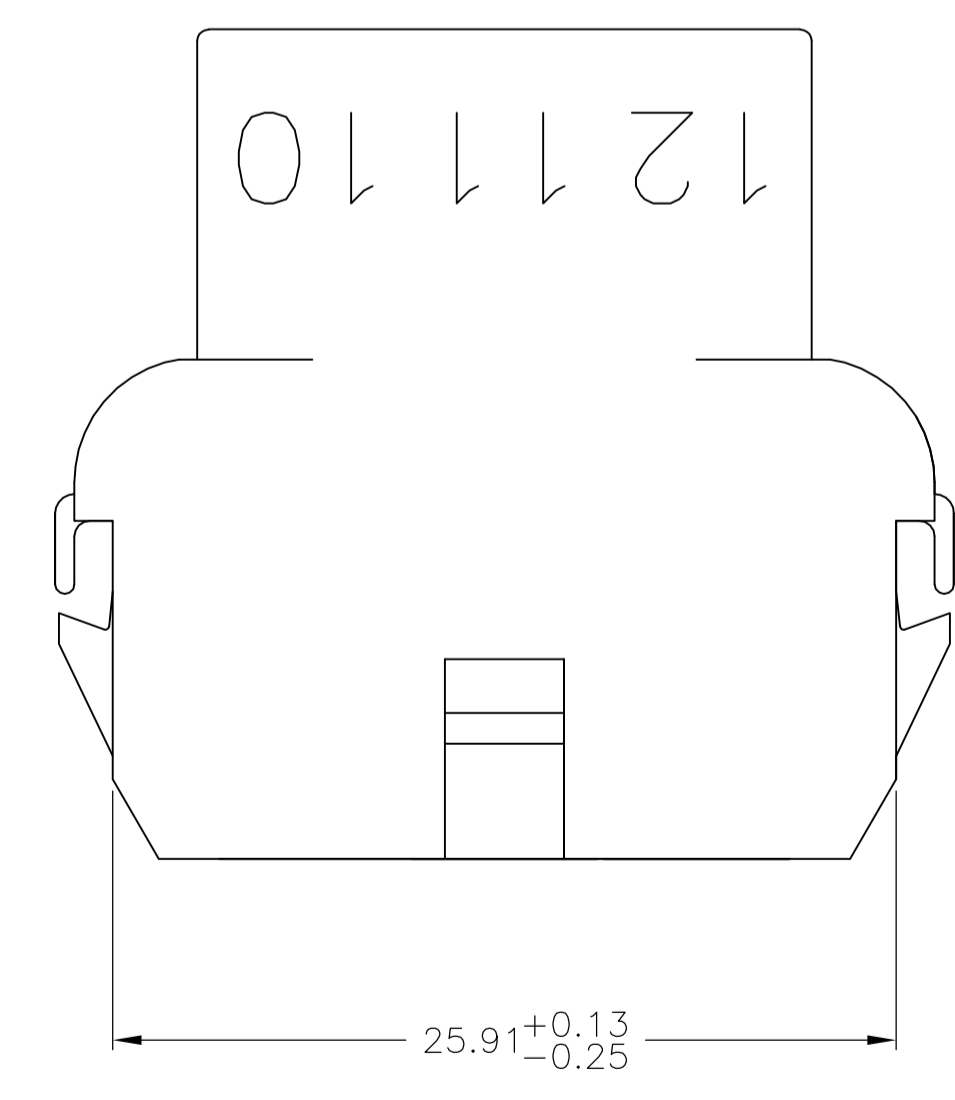
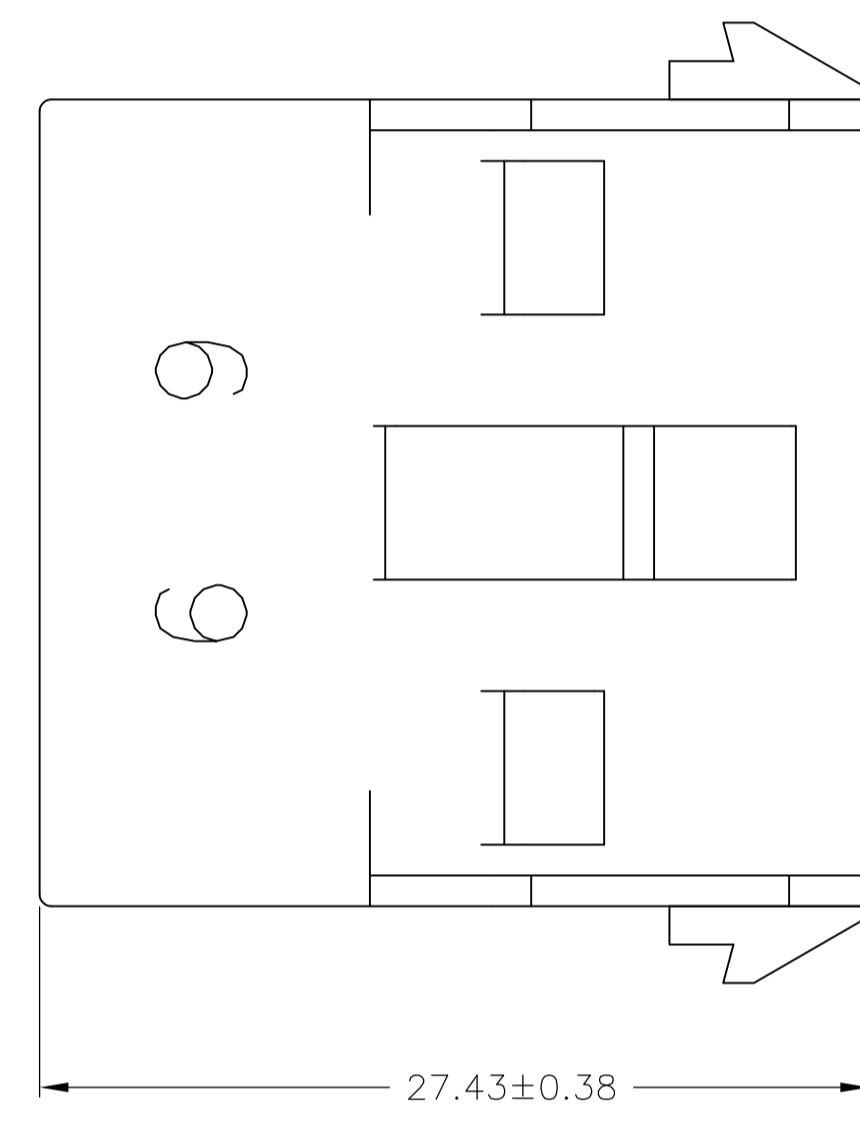
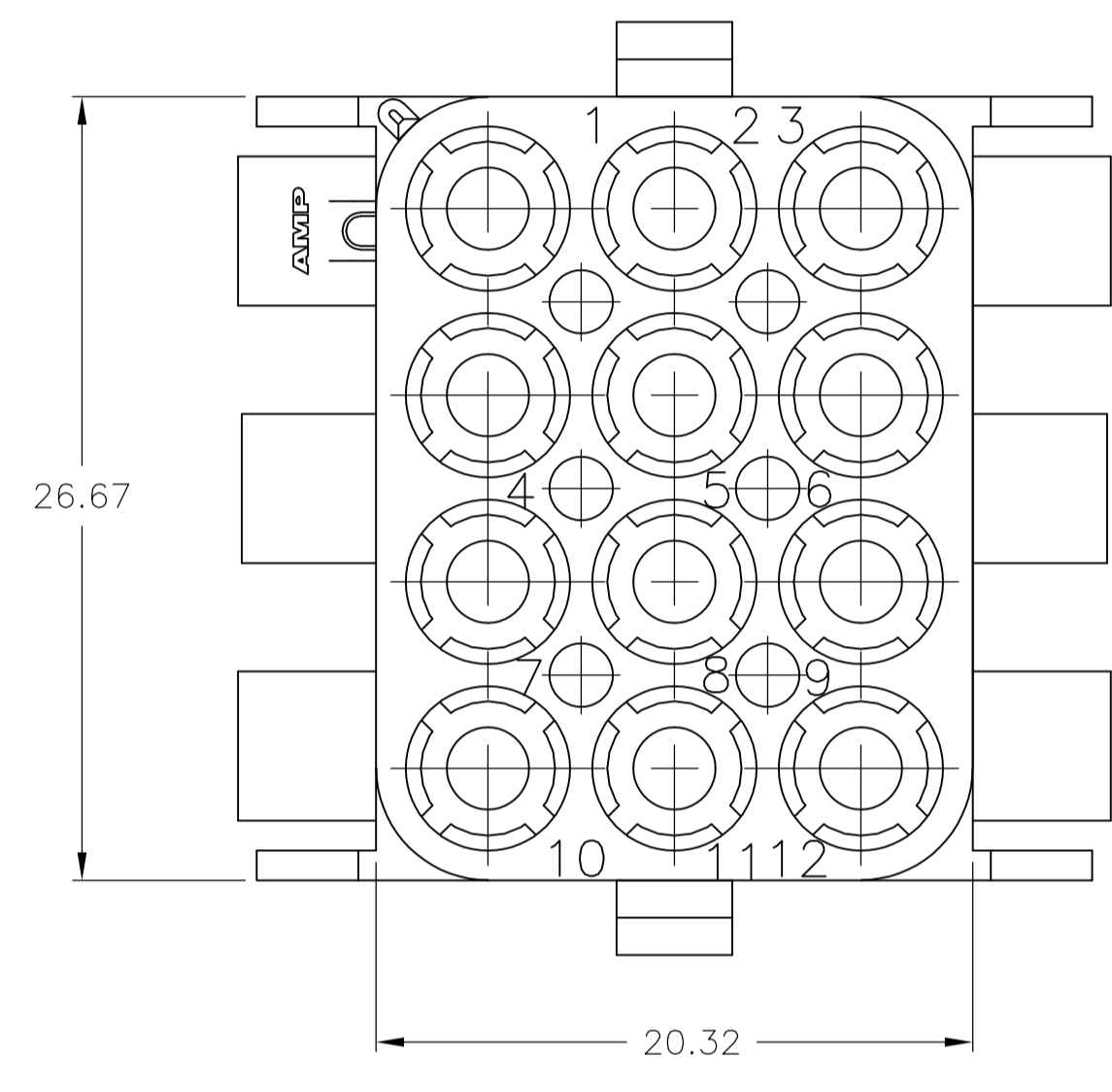
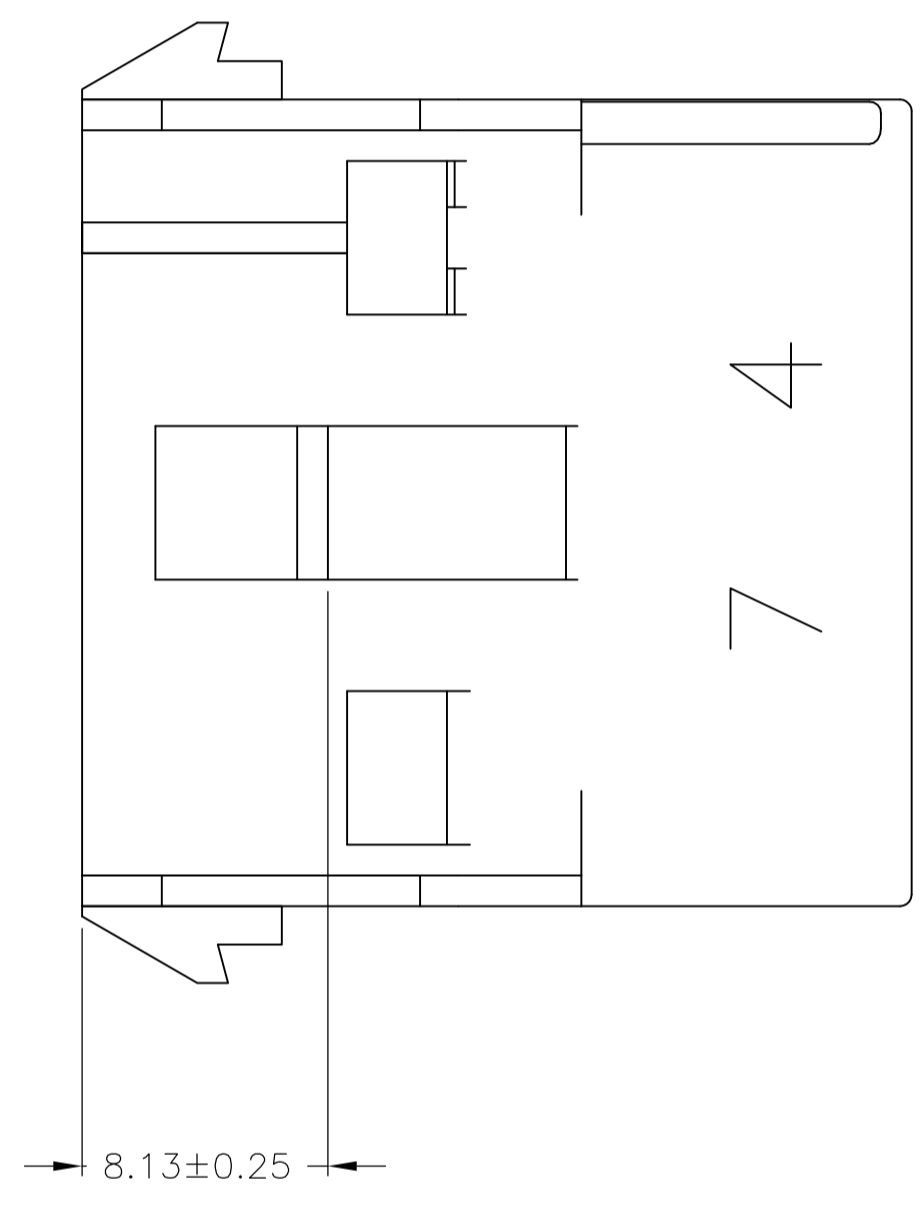
DIMENSIONS: mm	TOLERANCES UNLESS OTHERWISE SPECIFIED:	DIN K. WHITAKER 29JUL2004	NAME
0. PLC ± -	1. PLC ± -	CHK S. RIDGILL 29JUL2004	CAP.
2. PLC ± 0.13	3. PLC ± -	APPV S. RIDGILL 29JUL2004	12 CIRCUIT,
4. PLC ± -	ANGLES ± 0°30'	PRODUCT SPEC	UNIVERSAL MATE-N-LOK™
MATERIAL NYLON, UL94V-2	FINISH -	APPLICATION SPEC	SIZE CASE CODE DRAWING NO
		WEIGHT	A1 00779 C=480709
		CUSTOMER DRAWING	SCALE 4:1 SHEET 1 OF 2 REV AL3

STE TE Connectivity

LOC		DIST		REVISIONS			
P	LTR	DESCRIPTION	DATE	DNW	APVD		
-	-	SEE SHEET 1	-	-	-	-	-



1. STAMP NUMBERS 3.18 HIGH AT WIRE END OF HOUSING (12 POINT DAVID TYPE); CLARIFICATION MARKS UNDER THE 6 & 9.
2. CHARACTERS TO BE STAMPED ON HOUSING IN A MANNER AS TO BE READ FROM WIRE END ONLY.
3. VIOLET, BLACK, BROWN, AND BLUE COLORED BLOCKS TO BE STAMPED WITH WHITE CHARACTERS. ALL OTHER COLORED BLOCKS TO BE STAMPED WITH BLACK CHARACTERS.



MM	IN	MM	IN
5.08	.200	-	-
4.70	.185	27.43	1.080
3.18	.125	26.67	1.050
0.38	.015	25.91	1.020
0.25	.010	20.32	.800
0.13	.005	8.13	.320

CONVERSION TABLE

NATURAL	2-480709-0
COLOR	PART NO

THIS DRAWING IS A CONTROLLED DOCUMENT.

DIMENSIONS: mm	TOLERANCES UNLESS OTHERWISE SPECIFIED:	DIN K. WHITAKER 29JUL2004	CHK S. RIDGILL 29JUL2004	APVD S. RIDGILL 29JUL2004	NAME
0 PLC ± -	1 PLC ± -	2 PLC ± 0.13	3 PLC ± -	4 PLC ± -	ANGLES ± 0°30'
MATERIAL NYLON, UL94V-2	FINISH -	WEIGHT -	SIZE A1	CAGE CODE 00779	DRAWING NO C=480709
CUSTOMER DRAWING			SCALE 1:1	SHEET 2 OF 2	REV AL3

TE Connectivity  
CAP, 12 CIRCUIT, UNIVERSAL MATE-N-LOK™