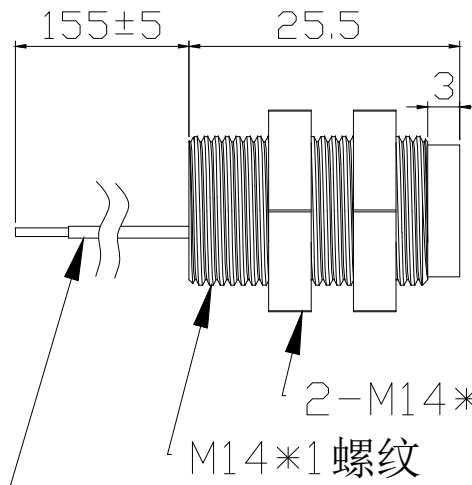
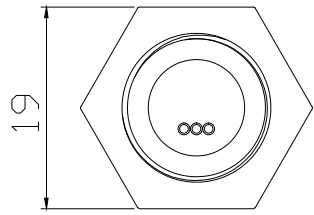
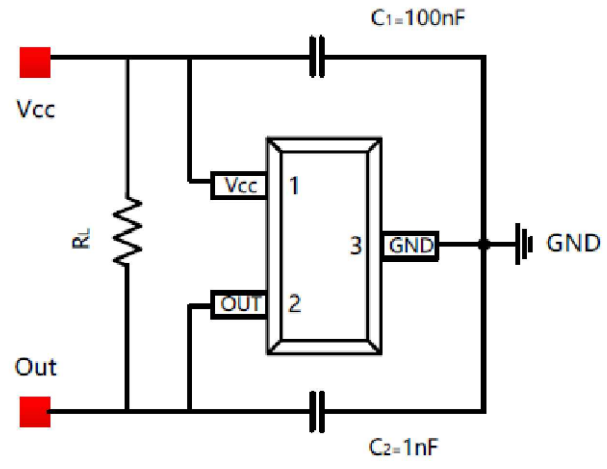


REV.	DETAIL	PLACE	NAME	DATE
1.0	首发		XCC	2022.09.23

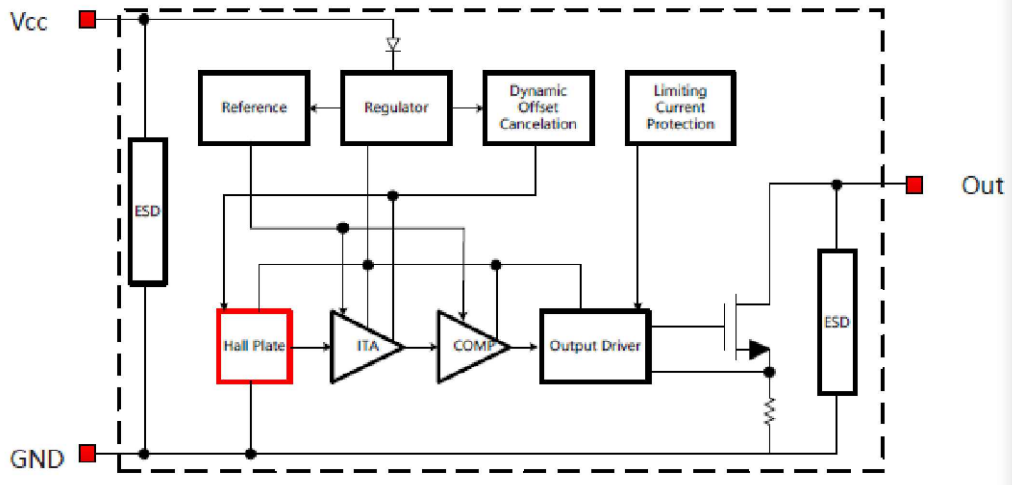


电线, 红、黑、绿三色
M14*1 螺纹
2-M14*1 薄螺母



Technical Data 技术参数

- | | |
|---------------|---------------------|
| 1. 电线规格 | AWG#24 黑、红、绿三色 |
| 2. 工作电压 | 3.8-45 VDC |
| 3. 工作电流 | ≤6mA |
| 4. 输出电压 | 0.4V |
| 5. 短路保护电流 | 50mA |
| 6. 输出漏电流 (释放) | 10 μ A |
| 7. 磁场强度 | 最小 1100Gs 最大 2000Gs |
| 8. 感应距离 | 2-5mm (距离随磁场增强而增加) |
| 9. 工作温度 | -20°C to +85°C |
| 10. 储存温度 | -40°C to +85°C |



SUNWAVE ELECTRONICS CO.,LTD.

DO NOT SCALE DRAWING
UNLESS OTHERWISE SPECIFIED:
(1) ALL DIMENSIONS IN MM.
(2) RADIUS & CHAMFERS:0.20MM
(3) DRAFT ANGLE: 0-0.5
(4) TOLERANCE:
0mm TO 25mm 0.16mm
25mm TO 50mm 0.20mm
50mm TO 100mm 0.25mm
100mm TO 150mm 0.31mm
150mm TO 500mm ADD 0.06mm
FOR EACH ADDITIONAL 50mm
ANGULAR 0.5

PROJECT	霍尔磁性接近传感器	ANGLE OF VIEW	
MODEL	SH-1013-001	DRAWN	DATE
DESCRIPTION	总成图	CHECKED	DATE
PART NO.		APPR'D	DATE
MATERIAL		SCALE	DWG. SIZE A4
FINISH		UNIT	MM
	QTY.	SHEET	1 OF 1
		DWG.NO.	D41178A