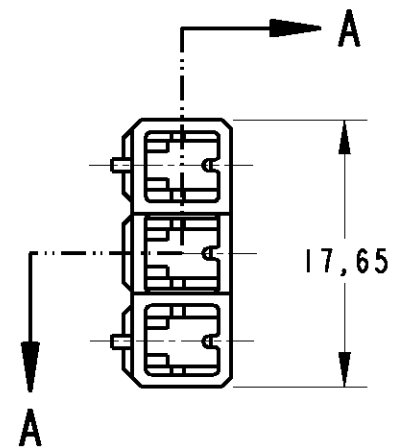
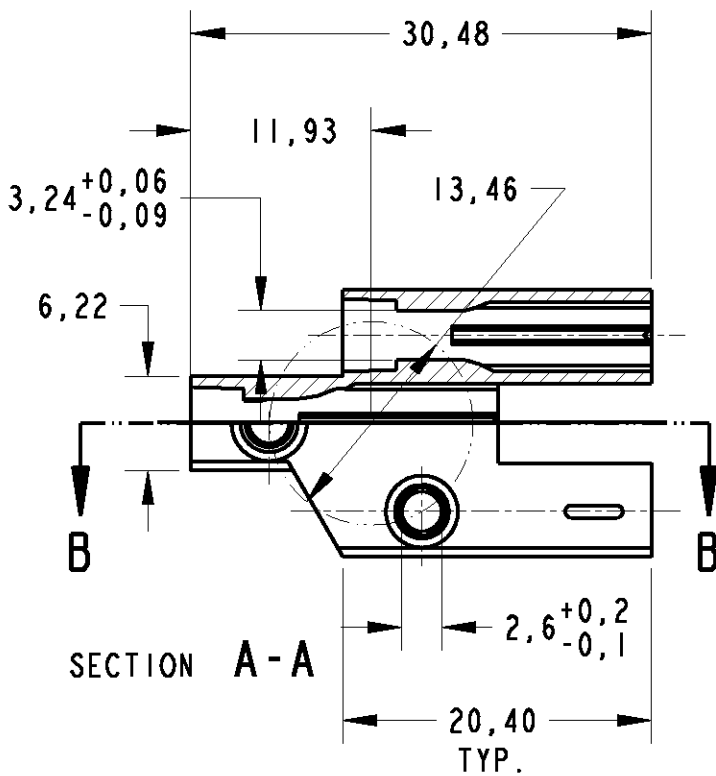
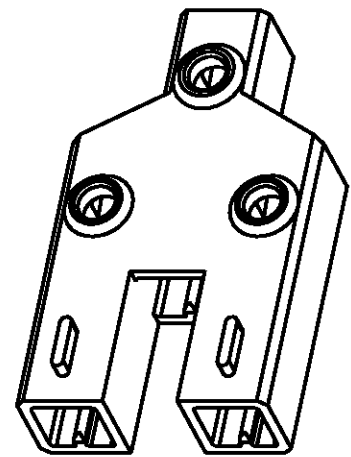
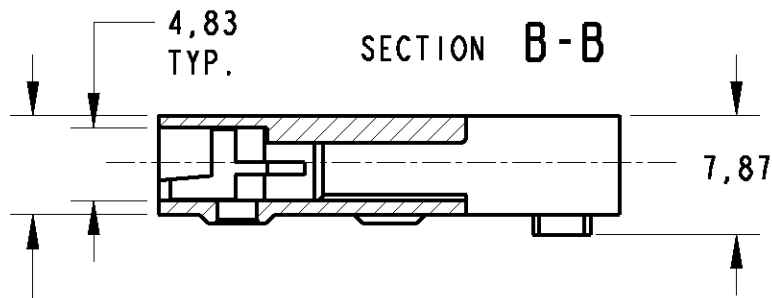


LOC	DIST	REVISIONS					
AP	-	P	LTR	DESCRIPTION	DATE	DWN	APVD
		O		RELEASED EC LB00-0167/01 WAS99-29124-001	24APR01	H.C	WLS
		A		REVISED BY EC LB00-0208/01	15MAY2001	H.C	WLS
		B		REVISED BY EC LB00-0372-02	12DEC2002	H.C	WLS
		C		REVISED BY LE-06-011315	16MAI2006	HC	WLS



19 RELEASED FOR PUBLICATION

COPYRIGHT 19 BY TYCO ELECTRONICS CORPORATION. ALL RIGHTS RESERVED.

-	NATURAL	PBT VALOX 310-SE0	1380145-2
-	NATURAL	PBT VALOX 310	1380145-1
OTHER TREATMENT	FINISH	MATERIAL	PART NUMBER

DIMENSIONS: mm

TOLERANCES UNLESS OTHERWISE SPECIFIED:

0 PLC	±-
1 PLC	±-
2 PLC	±0,3
3 PLC	±-
4 PLC	±-
ANGLES	±-

DWN H.C. CANTERI	17NOV00
CHK W.L. STEFANI	17NOV00
APVD -	-
PRODUCT SPEC	108-2008
APPLICATION SPEC	-
WEIGHT	-
CUSTOMER DRAWING	

MATERIAL	-	FINISH	-
AMP		AMP do Brasil LTDA. São Paulo, Brasil	
NAME		CLUSTER BLOCK HSG. 2,29 (.090) DIA.	
SIZE	CAGE CODE	DRAWING NO	RESTRICTED TO
A4	00779	1380145	-
SCALE		SHEET	OF
-		1	1
REV			C