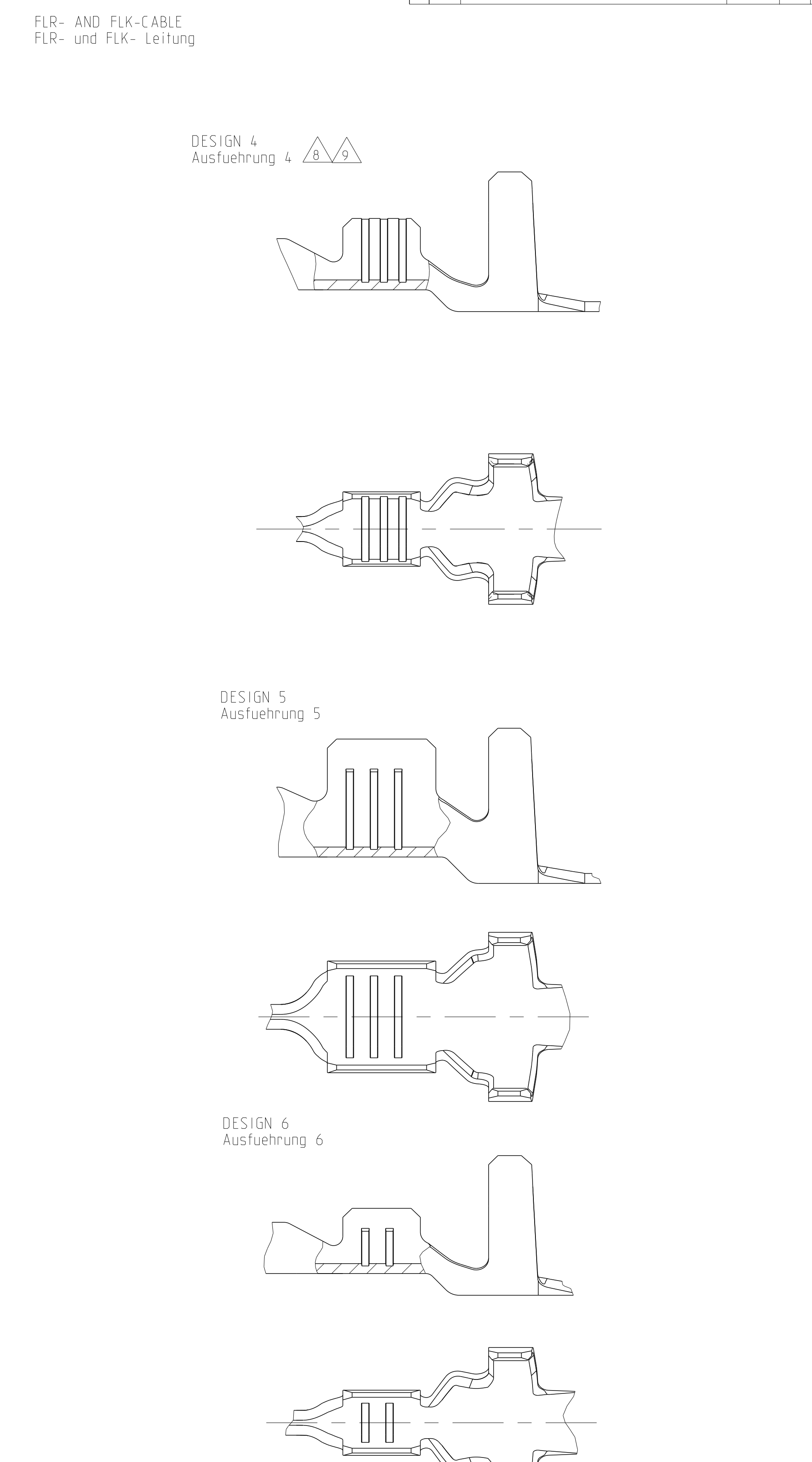
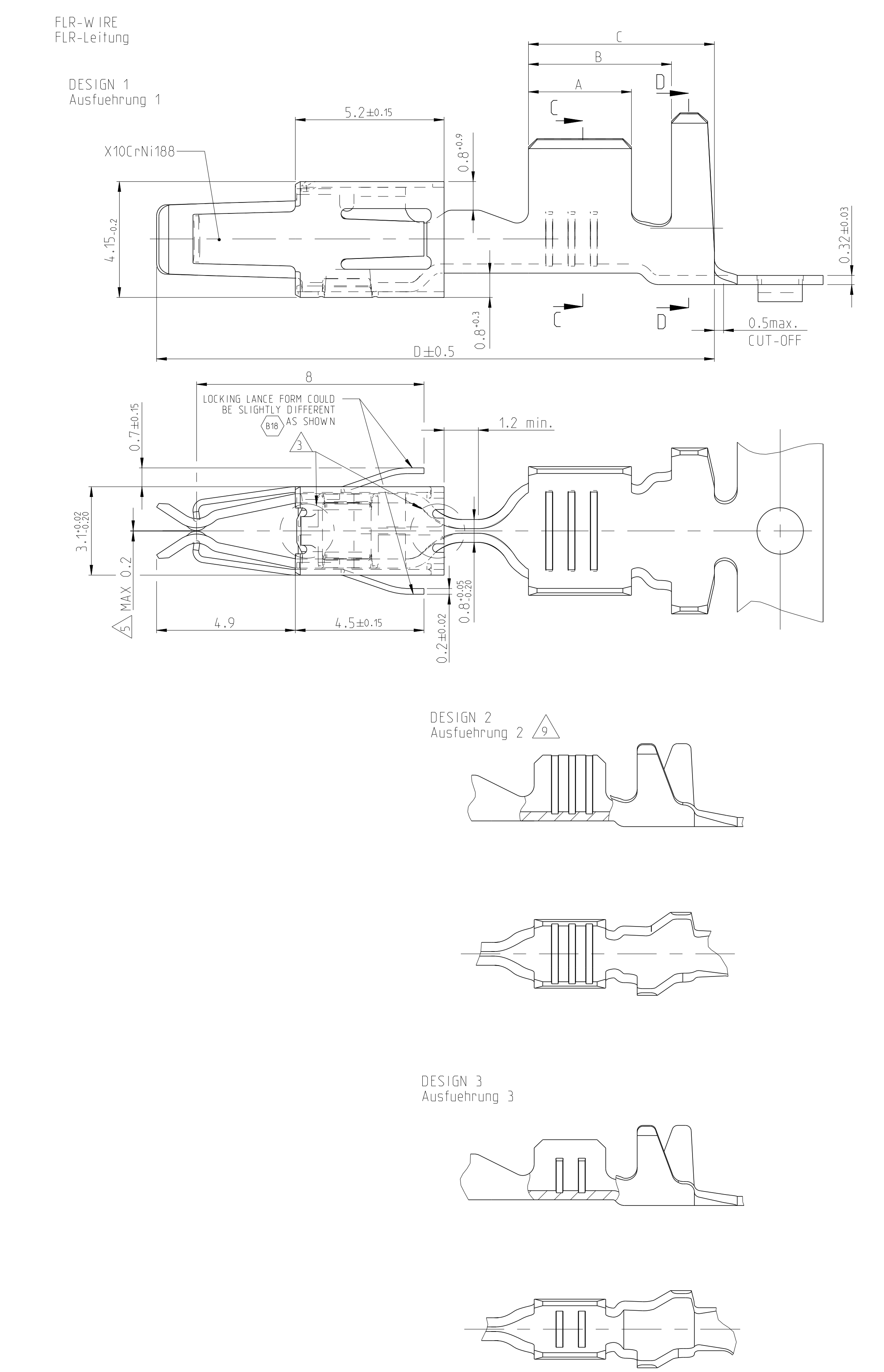
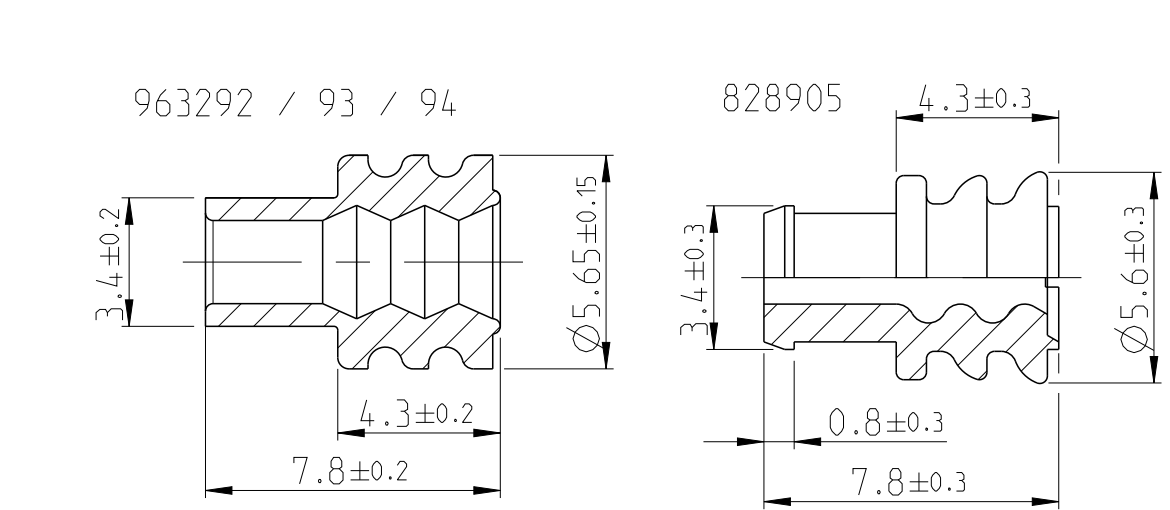


TE ORDER NO. STRIP FORM Bandware	REV.	DESIGN Ausführung	MATERIAL Werkstoff	SURFACE Oberfläche	WIRE RANGE Drahtgrößen Bereich [mm²]	INSULATION Isolations Ø [mm]	WIRE CRIMP Drahtcrimp ISO-Crimp Bandware CRIMP DIMENSION (mm) Crimpmassungen (mm)	A	B	C	D		
1241978-2	A	1	CuSn4	PRET INNED vorverzinnt	×2.5-4.0	2.7-3.7	E = 4.5 G = 4.7 DDr = 2.3	H = 5.8 K = 6.0 D = 3.3	3.6	5.0	6.5	19.5	
1241978-1	A		CuFe2	PRET INNED vorverzinnt									
4-965999-1	F		CuNiSi	△									
2-965999-1	F		CuSn4	△									
965999-6	A	1	CuSn4	△	×1.0-2.5	2.2-3.0	E = 3.6 G = 3.8 DDr = 1.8	H = 4.7 K = 4.9 D = 2.6	3.3	4.3	5.8	18.8	
965999-2	F		CuSn4	PRET INNED vorverzinnt									
965999-1	F		CuFe2	PRET INNED vorverzinnt									
4-964284-1	F		CuNiSi	△									
2-964284-1	F		CuSn4	△									
964284-6	A	1	CuSn4	△	0.5-1.0	1.4-2.1	E = 2.5 G = 2.7 DDr = 1.2	H = 3.7 K = 3.9 D = 1.8	3.0	4.0	5.5	18.8	
964284-2	F		CuSn4	PRET INNED vorverzinnt									
964284-1	F		CuFe2	PRET INNED vorverzinnt									
2-2141892-1	A	2	CuSn4	△	0.35	1.2-1.3	E = 2.4 G = 2.3 DDr = 1.0	H = 2.9 K = 2.9 D = 1.4	2.5	3.5	5.6	18.8	
2141892-2	A		CuSn4	PRET INNED vorverzinnt									
2-964280-1	F		CuSn4	△									
964280-6	F	3	CuSn4	△	0.2-0.5	1.15-1.6	E = 2.1 G = 2.1 DDr = 0.8	H = 2.7 K = 2.8 D = 1.4	2.5	3.5	5.6	18.8	
964280-2	F		CuSn4	PRET INNED vorverzinnt									
964280-1	F		CuFe2	PRET INNED vorverzinnt									
2-1564326-1	A	4	CuSn4	△	0.35	1.2-1.3	E = 2.4 G = 2.3 DDr = 1.0	H = 4.85 K = 4.5 D = 3.2	2.5	4.7	6.3	19.55	
1241872-6	A	5	CuSn4	△	×1.0-2.5	2.2-3.0	E = 3.6 G = 3.8 DDr = 1.8	H = 5.3 K = 5.0 D = 3.5	3.5	5.2	6.8	19.55	
1241872-1	A		CuFe2	PRET INNED vorverzinnt									
1241868-6	A	5	CuSn4	△	0.5-1.0	1.4-2.7	E = 2.5 G = 2.7 DDr = 1.2	H = 5.1 K = 4.8 D = 3.3	3.0	4.7	6.3	19.55	
1241868-1	A		CuFe2	PRET INNED vorverzinnt									
4-1241864-1	A	6	CuNiSi	△	0.2-0.5	1.2-2.3	E = 2.1 G = 2.1 DDr = 0.8	H = 4.7 K = 4.5 D = 3.2	2.5	4.7	6.3	19.55	
6-964273-6	F		CuSn4	△									
3-964273-1	F		CuNiSi	△									
2-964273-1	F	5	CuSn4	△	×1.0-2.5	2.2-3.0	E = 3.6 G = 3.8 DDr = 1.8	H = 5.3 K = 5.0 D = 3.5	3.5	5.2	6.8	19.55	
964273-2	F		CuSn4	PRET INNED vorverzinnt									
964273-1	F		CuFe2	PRET INNED vorverzinnt									
6-964286-6	F		CuSn4	△									
2-964286-1	F	5	CuSn4	△	0.5-1.0	1.4-2.7	E = 2.5 G = 2.7 DDr = 1.2	H = 5.1 K = 4.8 D = 3.3	3.0	4.7	6.3	19.55	
964286-2	F		CuSn4	PRET INNED vorverzinnt									
964286-1	F		CuFe2	PRET INNED vorverzinnt									
2-2141894-1	A	4	CuSn4	△	0.35	1.2-1.3	E = 2.4 G = 2.3 DDr = 1.0	H = 4.85 K = 4.5 D = 3.2	2.5	4.7	6.3	19.55	
2141894-2	A		CuSn4	PRET INNED vorverzinnt									
6-964282-6	F		CuSn4	△									
2-964282-1	F	6	CuSn4	△	0.2-0.5	1.2-2.3	E = 2.1 G = 2.1 DDr = 0.8	H = 4.7 K = 4.5 D = 3.2	2.5	4.7	6.3	19.55	
964282-2	F		CuSn4	PRET INNED vorverzinnt									
964282-1	F		CuFe2	PRET INNED vorverzinnt									

SEE APPLICATION - SPECIFICATION
siehe Montageanleitung
14-18050



- △ BODY ELECTRO TIN PLATED OVER NICKEL 0.2 μm min.
Kontaktkörper galv. verzinkt ueber Nickel 0.2 μm min.
CONTACT AREA SELECTIV GOLD OVER NICKEL 0.8 μm min.
Kontaktzone selektiv vergoldet ueber Nickel 0.8 μm min.
WIRE CRIMP AREA ELECTRO TIN PLATED 1 μm min.
Drahtcrimbereich galv. verzinkt 1 μm min.
- △ ACCORDING INSULATION DIA IS TO CHOOSE THE SINGLE WIRE SEAL
Entsprechend dem Isolationsdurchmesser ist die Einzel-Dichtung auszuwaehlen
- △ CUT OFF OPTIONAL
Optionaler Federabschnitt
- △ VARIANTS WITH GAP-SIZE 0.3mm
Varianten mit Gap-Size 0.3mm
- △ FOR EVALUATION OF THE GAP-SIZE, THE MATING-FORCE HAS PRIORITY.
Zur Beurteilung des Offnungsmasses ist die Steckkraft ausschlaggebend
- △ CONTACT BODY PRE-SILVER PLATED MIN. 0.8 μm
CONTACT ZONE SELECTIVE PRE-SILVER PLATED MIN. 3 μm
Kontaktkörper vorversilbert min. 0.8 μm
Kontaktzone selektiv vorversilbert min. 3 μm
- △ PUNCHED WITH VOLATILIZING STAMPING-OIL
Gestanzl mit vertuechtigendem Stanzoel
- △ SERRATIONS OVER THE WHOLE WIDTH OF THE CRIMP AREA
Rillen ueber die ganze Breite des Crimpbereichs.



SINGLE WIRE SEAL Einzel-Dichtung		
963292-1	2.7-3.0	yellow gelb
963293-1	2.0-2.7	redbrown rotbraun
963294-1	1.2-2.1	blue blau
828905-1	2.2-3.0	white weiss
ORDER No. Bestell-Nr.	INSULATION Ø Isolations Ø	COLOR Farbe

