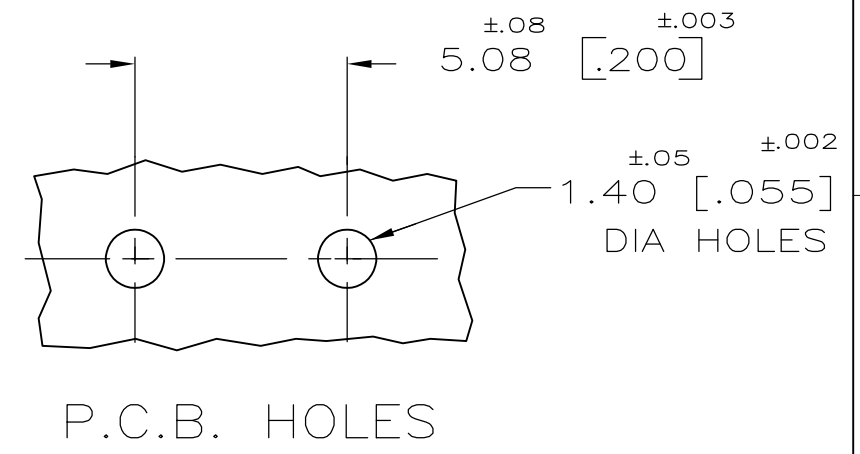
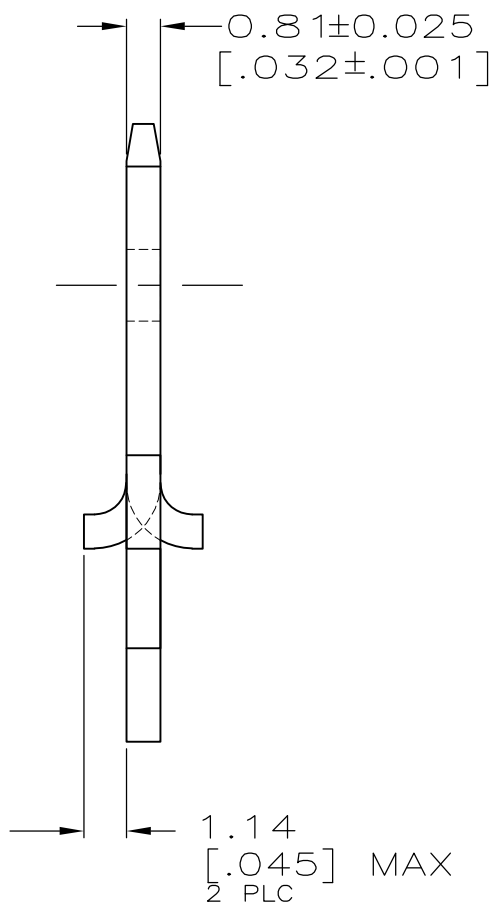
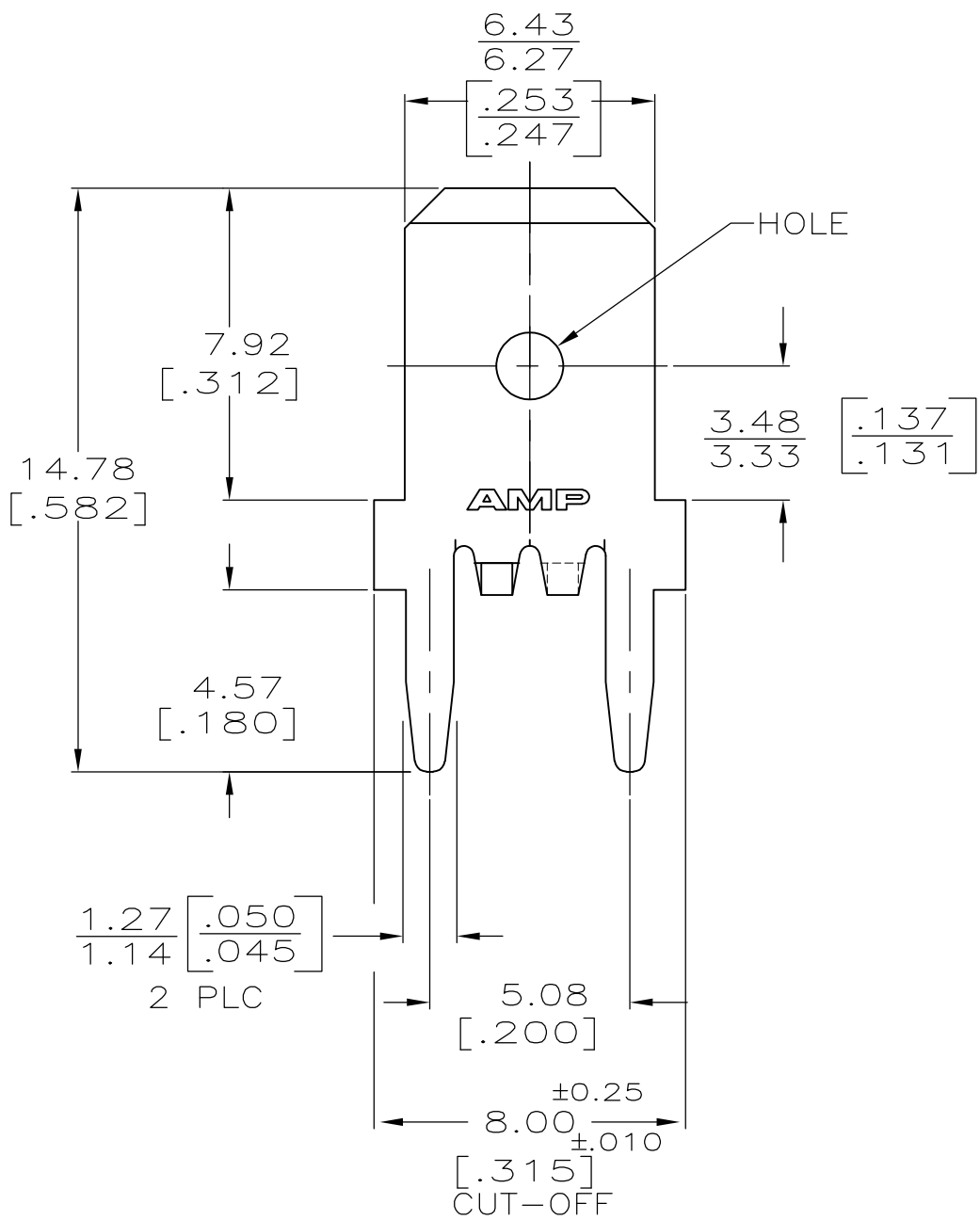


LOC	DIST	REVISIONS			
P	LTR	DESCRIPTION	DATE	DWN	APVD
AF	50	C	REVISED PER ECR-13-001204	29JUN13	KH PD

- 1 TIN PLATE 0.00381 [.000150] MIN OVER 0.00127 [.000050] MIN THK NICKEL, OR 0.00254 [.000100] MIN COPPER AS ALTERNATE UNDERPLATING.
- 2 SUPPLIED IN LOOSE PIECE



1217421-1  
PART NO.

THIS DRAWING IS A CONTROLLED DOCUMENT.		DWN JR RUTH 23MAY00	TE Connectivity			
DIMENSIONS: mm [INCHES]		CHK MS FEHER 23MAY00				
TOLERANCES UNLESS OTHERWISE SPECIFIED:		APVD G PORTA 23MAY00	NAME			
0 PLC ± - 1 PLC ± - 2 PLC ± 0.25 [.010] 3 PLC ± - 4 PLC ± - ANGLES ± -		PRODUCT SPEC	TAB, P.C.BOARD, 6.35 [.250] SERIES			
MATERIAL BRASS	FINISH	APPLICATION SPEC 114-2115	SIZE A3	CAGE CODE 00779	DRAWING NO C-1217421	RESTRICTED TO -
CUSTOMER DRAWING		WEIGHT -	SCALE 6:1	SHEET 1 OF 1	REV C	