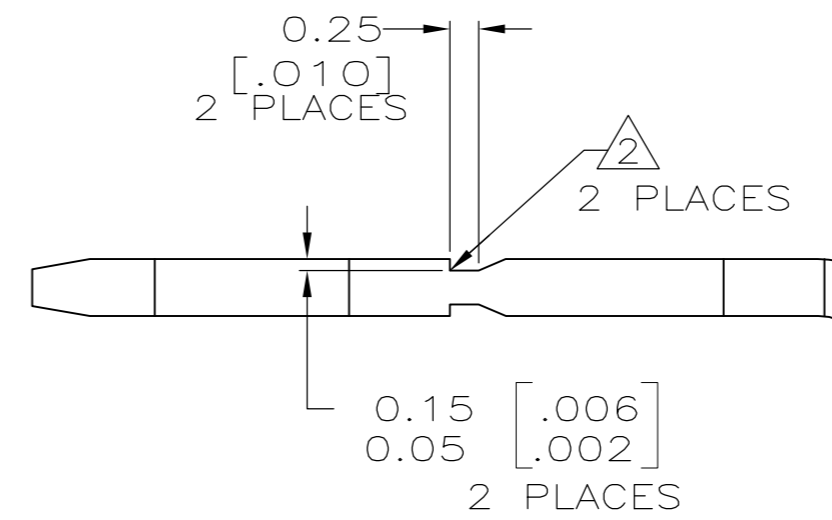
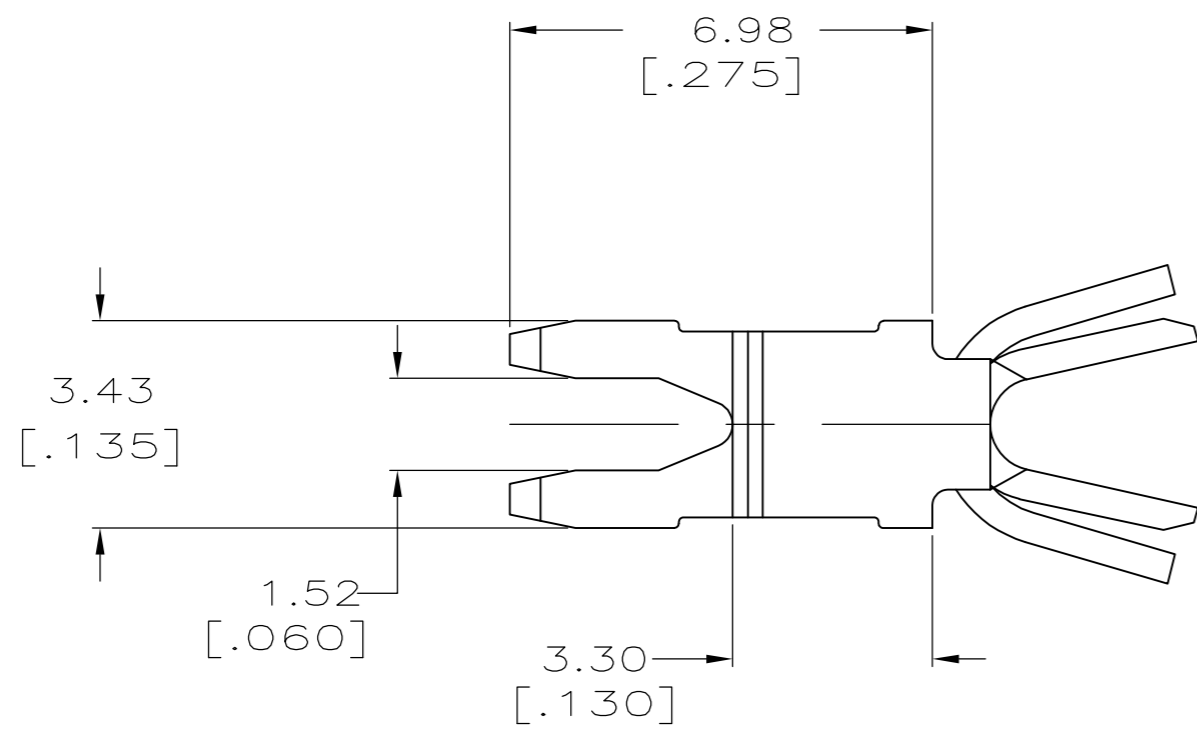


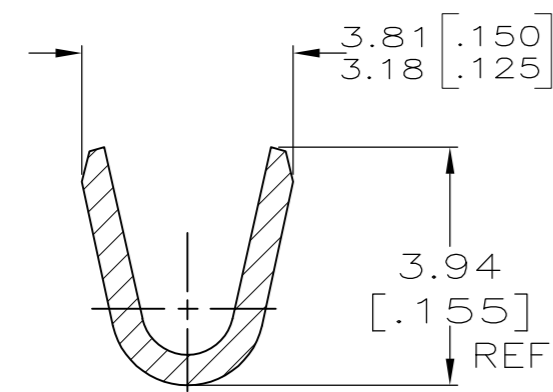
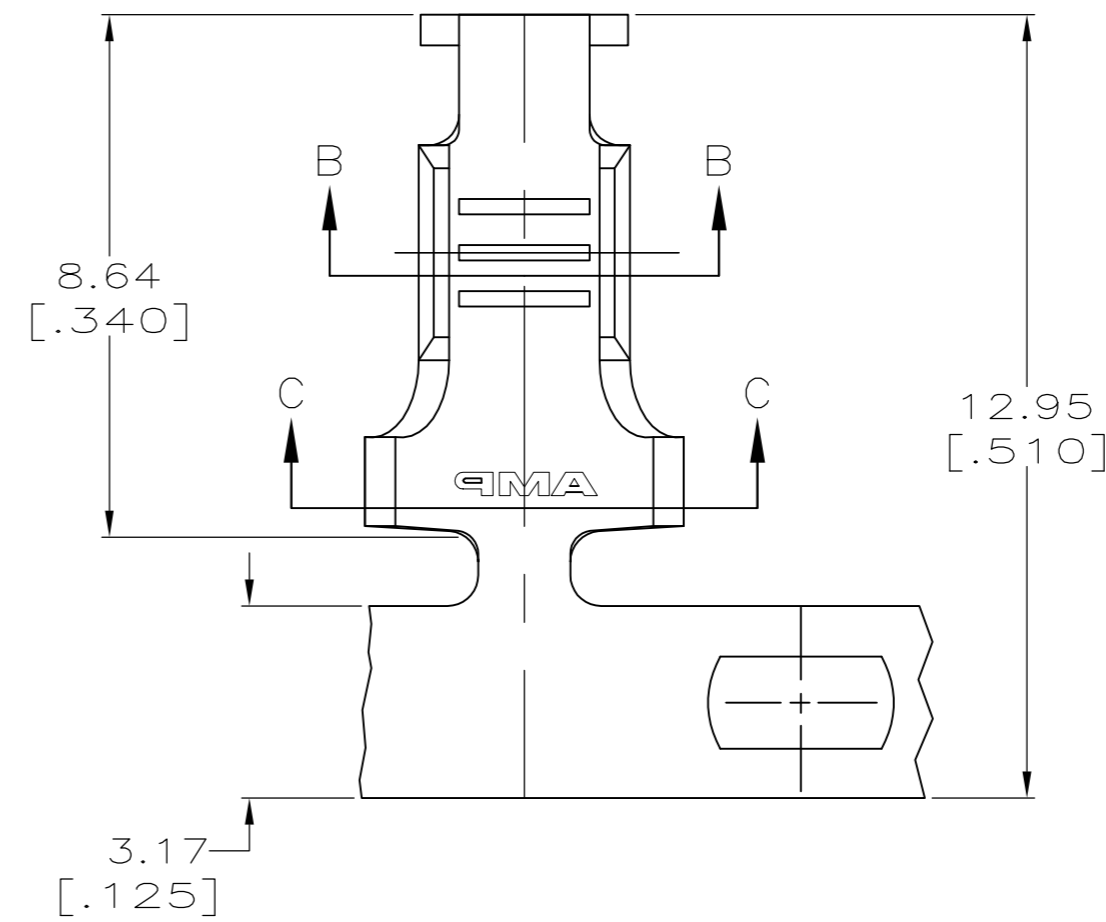
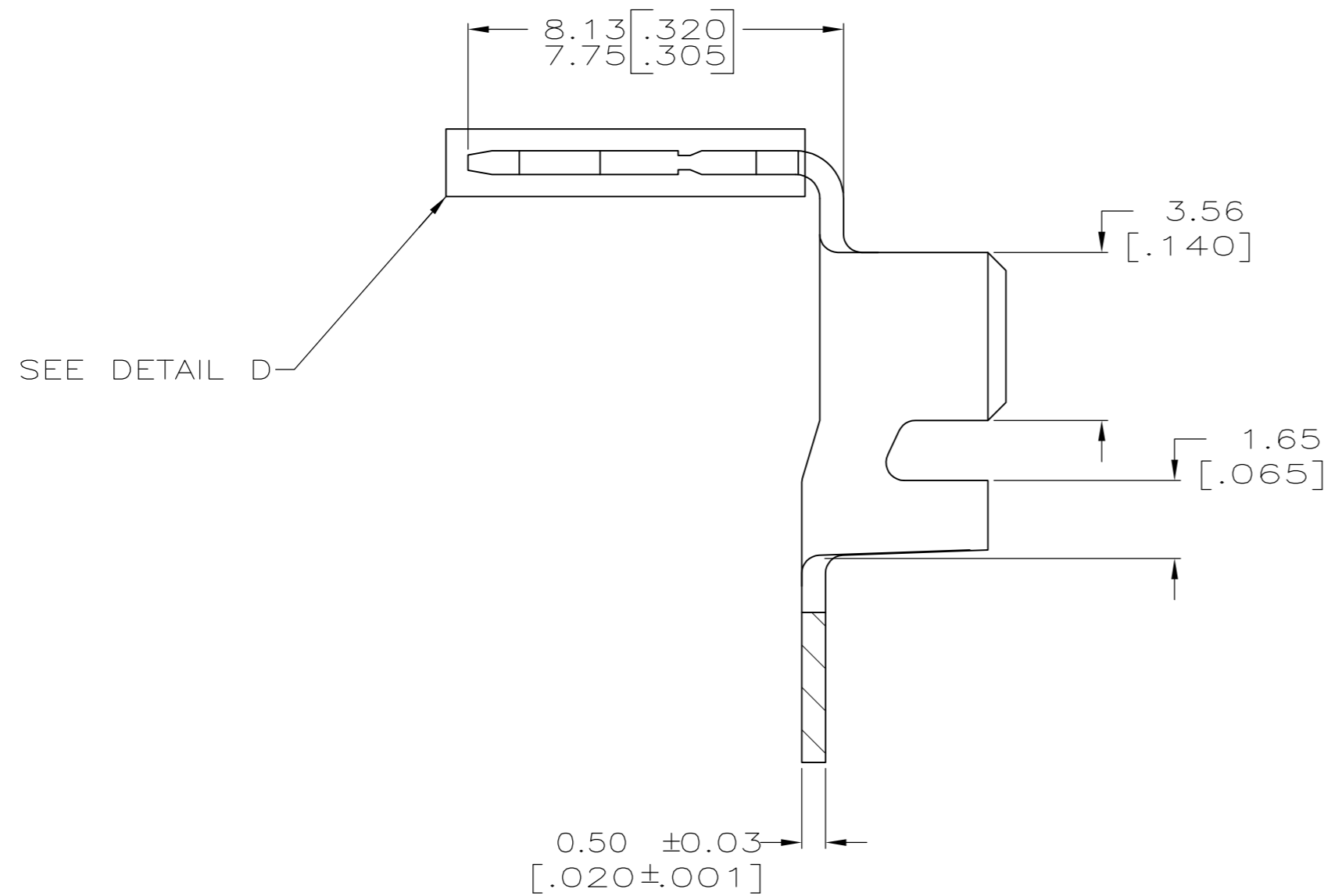
THIS DRAWING IS UNPUBLISHED. RELEASED FOR PUBLICATION
 © COPYRIGHT - By - ALL RIGHTS RESERVED.

LOC	DIST	REVISIONS			
P	LTR	DESCRIPTION	DATE	DWN	APVD
AF	50	D1	ECR-13-016672	25OCT13	PKSRRP

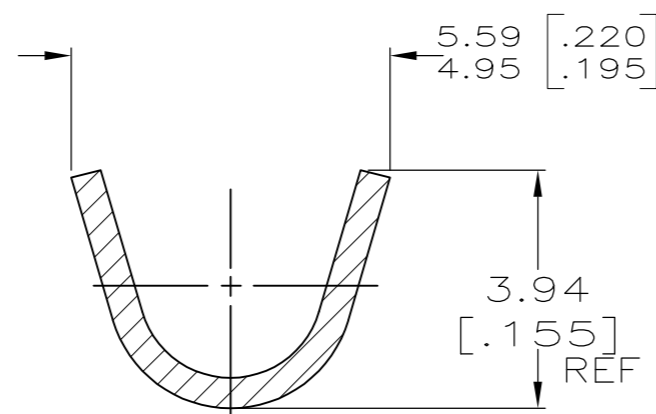


DETAIL D
 SCALE 15:1

- 1 CONTINUOUS STRIP ON REELS WITH TERMINALS LOCATED ON 9.14±0.08 [.360±.003] CENTERS
- 2 FOR OPTIMUM RETENTION IN POKE-IN TYPE MAG-MATE TERMINALS, THE SERRATION AS SHOWN MUST BE ENGAGED WITH THE EDGE OF THE LEAF



SECTION B-B



SECTION C-C

STANDARD	#18-#14 AWG	2.29-3.56 [.090-.140] DIA	1217214-1
REELING	WIRE RANGE	INSULATION RANGE	PART NUMBER
THIS DRAWING IS A CONTROLLED DOCUMENT.		TE Connectivity	
DIMENSIONS: mm TOLERANCES UNLESS OTHERWISE SPECIFIED: 0 PLC ± - 1 PLC ± - 2 PLC ± 0.25[.010] 3 PLC ± - 4 PLC ± - ANGLES ± - FINISH TIN PLATE		NAME: KURT A. RANDOLPH PRODUCT SPEC: 108-22045 APPLICATION SPEC: 114-2050 WEIGHT: - CUSTOMER DRAWING	
MATERIAL: BRASS		SIZE: A2	RESTRICTED TO: -
		CAGE CODE: 00779	DRAWING NO: 1217214
		SCALE: 8:1	SHEET: 1 OF 1
		REV: D1	