

4

3

2

1

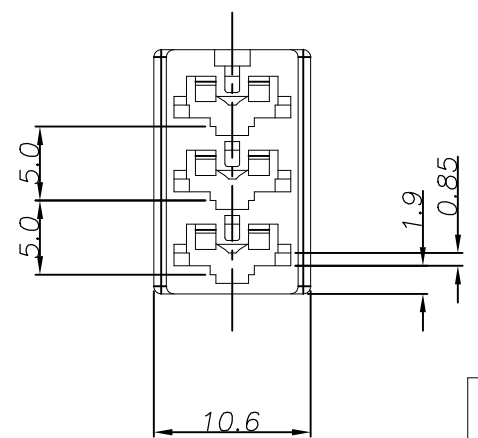
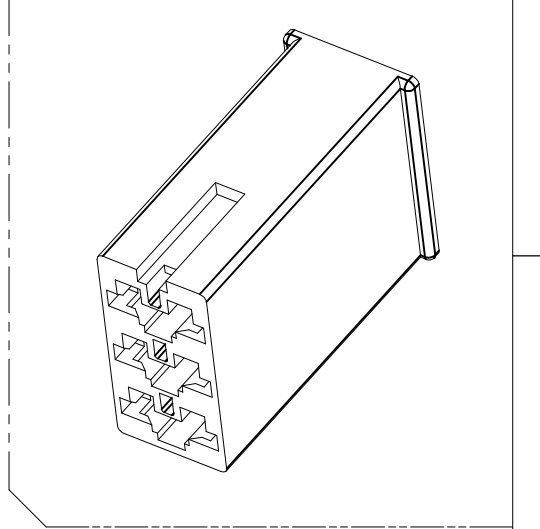
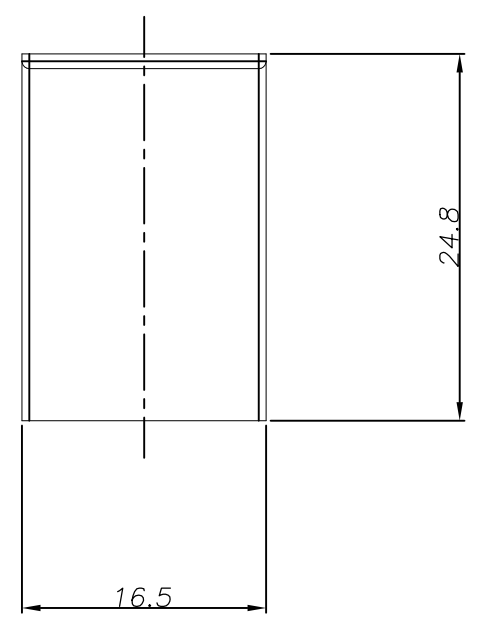
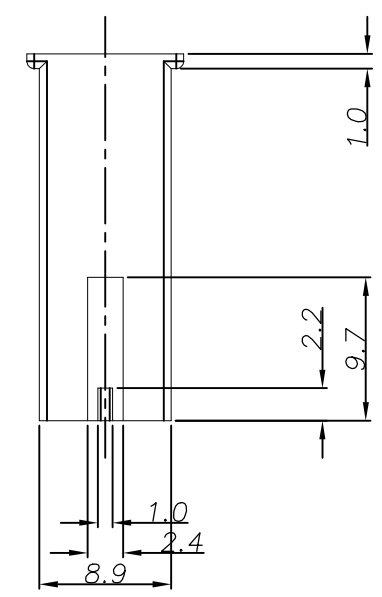
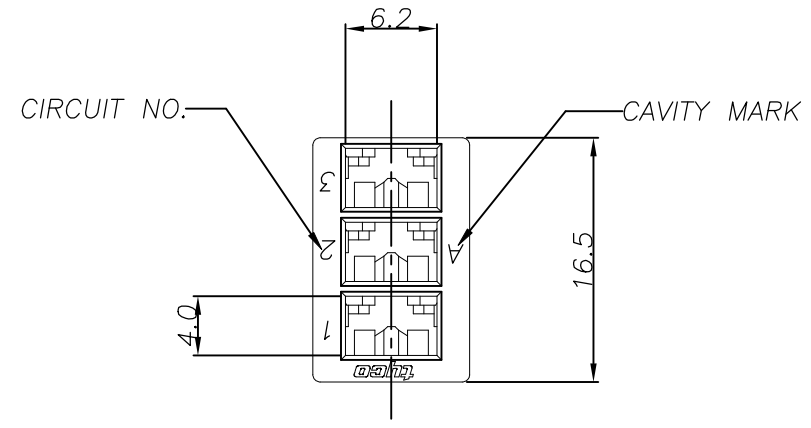
THIS DRAWING IS UNPUBLISHED.

RELEASED FOR PUBLICATION

© COPYRIGHT

BY TYCO ELECTRONICS CORPORATION. ALL RIGHTS RESERVED.

LOC	DIST	REVISIONS					
		P	LTR	DESCRIPTION	DATE	DWN	APVD
DS	-		A1	REVISED(ECR-18-017108)	30OCT.'18	BH	E.W
			A2	REVISED(ECR-19-006537)	24APR.'19	BH	E.W



NOTES

- 1. GENERAL TOLERANCE ; $\pm 0.3, \pm 3^\circ$
- 2. CAVITY MARK SHALL BE LOCATED APPROX. AS SHOWN.
- 3. APPLICABLE CONTACT P/N : 170324~170326
- ▲ MATERIAL : PA66, UL 94V-0, GWIT 775°C, GWT 750°C

2-1743068-1	▲	NATURAL
① 1-1743068-1	PA66, UL 94V-0	NATURAL
1743068-1	PA66, UL 94V-2	NATURAL
P/N	MATERIAL	COLOR

<small>THIS DRAWING IS A CONTROLLED DOCUMENT FOR TYCO ELECTRONICS CORPORATION IT IS SUBJECT TO CHANGE AND THE CONTROLLING ENGINEERING ORGANIZATION SHOULD BE CONTACTED FOR THE LATEST REVISION.</small>		DWN BH CHO CHK BW KANG APVD JK SONG PRODUCT SPEC ① 108-61062 APPLICATION SPEC 114-5041 WEIGHT - CUSTOMER DRAWING				
DIMENSIONS: MM 		TOLERANCES UNLESS OTHERWISE SPECIFIED: 0 PLC ± 1 PLC ± 2 PLC ± 3 PLC ± 4 PLC ± ANGLES ±		NAME 187 P/LOCK 3P HSG for Dryer SIZE CAGE CODE DRAWING NO RESTRICTED TO A3 00779 C- 1743068 -		
MATERIAL SEE TABLE		FINISH - -		SCALE 2/1 SHEET 1 OF 1 REV A2		