

4

3

2

1

THIS DRAWING IS UNPUBLISHED.

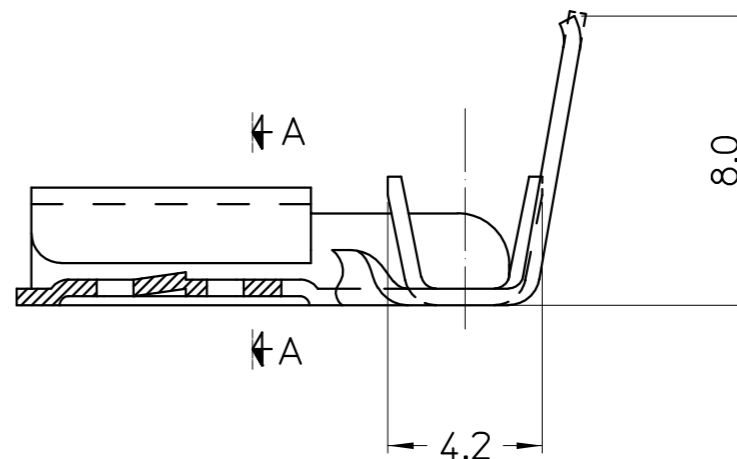
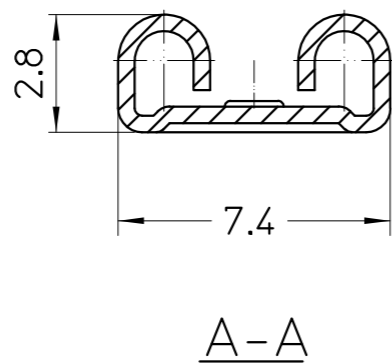
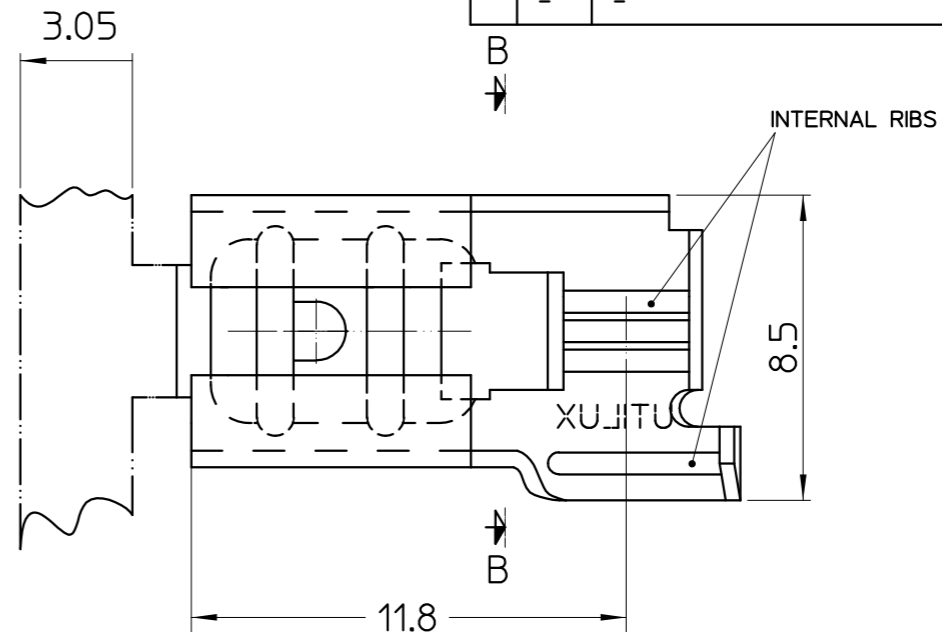
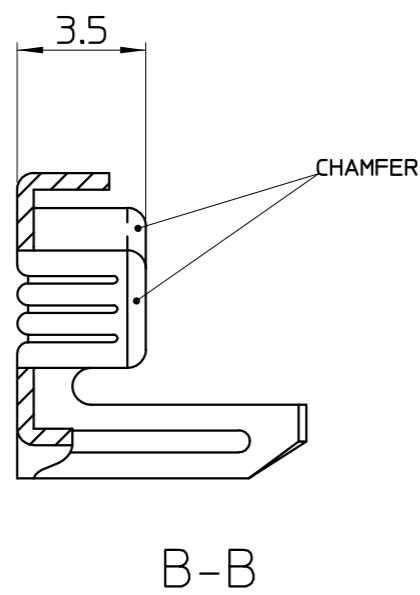
RELEASED FOR PUBLICATION

© COPYRIGHT BY TYCO ELECTRONICS CORPORATION. ALL RIGHTS RESERVED.

LOC	DIST
U	-

REVISIONS

P	LTR	DESCRIPTION	DATE	DWN	APVD
-	-		-	-	-



NOTES:

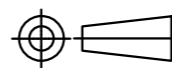
- WIRE RANGE
CONDUCTOR: 0.6mm² - 1.5mm²
INSULATION DIA: 2.2mm - 2.8mm
- THIS PRODUCT IS UL LISTED
- FOR CRIMPING DETAILS REFER
TO UTILUX CRIMP CHART NO. H1191
- MATING INSULATOR PART No. 1-1659318-0, 1-1627128-1, 1-1659283-0

BRASS PRE-TIN	RECEPTACLE H1191ET	1-1627024-5
NICKEL SILVER	RECEPTACLE H1191B	1-1627024-2
BRASS	RECEPTACLE H1191	1-1627024-1
MATERIAL	DESCRIPTION	PART No.

THIS DRAWING IS A CONTROLLED DOCUMENT.

ALL DIMENSIONS IN mm:

TOLERANCES UNLESS OTHERWISE SPECIFIED:	
DIMENSION (mm)	TOLERANCE(+/-mm)
LESS THAN 10	0.4
OVER 10 TO 30	0.5
OVER 30 TO 80	0.7
OVER 80 TO 250	1.0
ANGLES	+2°



MATERIAL

FINISH

DWN: W.RIEDE 25.10.04

CHK: H.THAI 25.10.04

APVD: W.RIEDE 25.10.04

PRODUCT SPEC:

APPLICATION SPEC:

WEIGHT:

tyco Tyco Electronics Corporation
Electronics AUSTRALIA

NAME: RECEPTACLE, FLAG QC 6.3

SIZE	CAGE CODE	DRAWING NO	RESTRICTED TO
A3		©-1627024	-

CUSTOMER DRAWING

SCALE 1:1

SHEET 1 OF 1

REV 0

THIS INFORMATION IS CONFIDENTIAL AND PROPRIETARY TO TYCO ELECTRONICS CORPORATION AND ITS WORLDWIDE SUBSIDIARIES AND AFFILIATES. IT MAY NOT BE DISCLOSED TO ANYONE OTHER THAN TYCO ELECTRONICS PERSONNEL WITHOUT WRITTEN AUTHORIZATION FROM TYCO ELECTRONICS CORPORATION, HARRISBURG, PENNSYLVANIA, USA.

