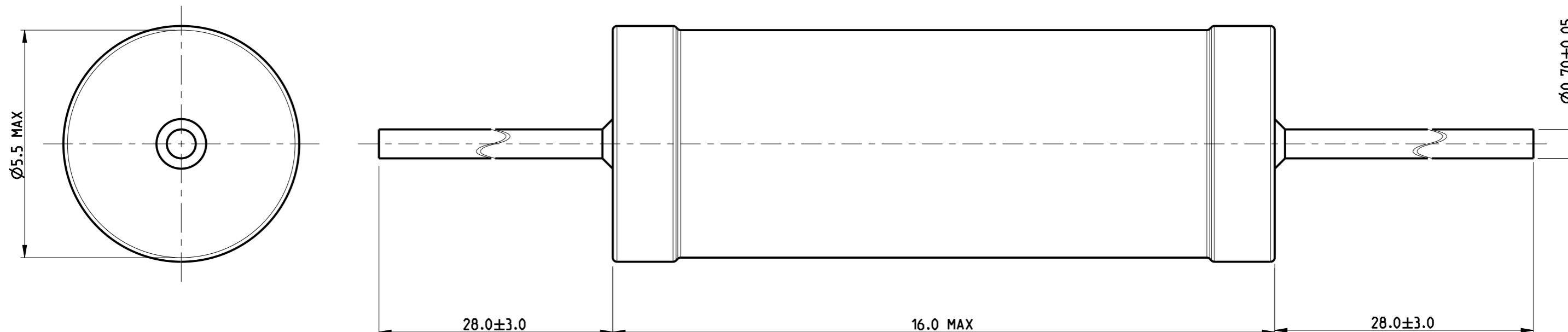


© 2020 TE Connectivity. All Rights Reserved.

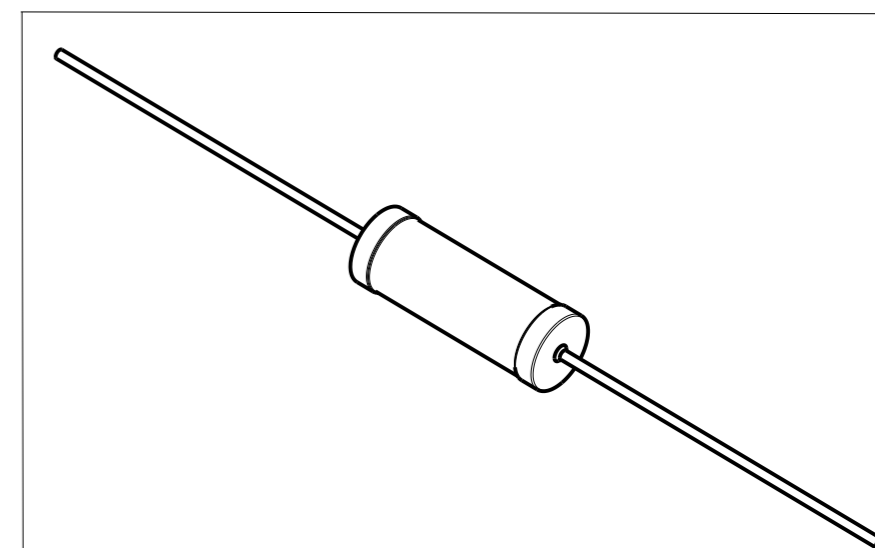
REVISIONS

P	LTR	DESCRIPTION	DATE	DWN	APVD
	BA	INITIAL RELEASE	25OCT2017	RK	TN
	BA1	ECR-20-014582	15OCT2020	SB	AP

FOR FURTHER INFORMATION SEE DATA SHEET FOR SERIES ROX. FLAME-PROOF POWER METAL OXIDE FILM RESISTORS



RoHS Compliant



THIS DRAWING IS A CONTROLLED DOCUMENT.

DIMENSIONS: mm		TOLERANCES UNLESS OTHERWISE SPECIFIED:	
	0 PLC	± 0.2	
	1 PLC	± 0.1	
	2 PLC	± 0.1	
	3 PLC	± 0.1	
	4 PLC	± 0.1	
	ANGLES	$\pm 5^\circ$	
MATERIAL	FINISH	-	-

DWN	25OCT2017
RAGHAVENDRA.K	
CHK	25OCT2017
ALLAN.P	
APVD	25OCT2017
TONY.N	
PRODUCT SPEC	-
APPLICATION SPEC	-
WEIGHT	-
CUSTOMER DRAWING	

		TE Connectivity	
NAME FLAME-PROOF POWER METAL OXIDE FILM RESISTORS SERIES ROX3S			
SIZE	CAGE CODE	DRAWING NO	RESTRICTED TO
A3	00779	C-1625892	
SCALE		SHEET	REV
10:1		1 OF 1	BA1