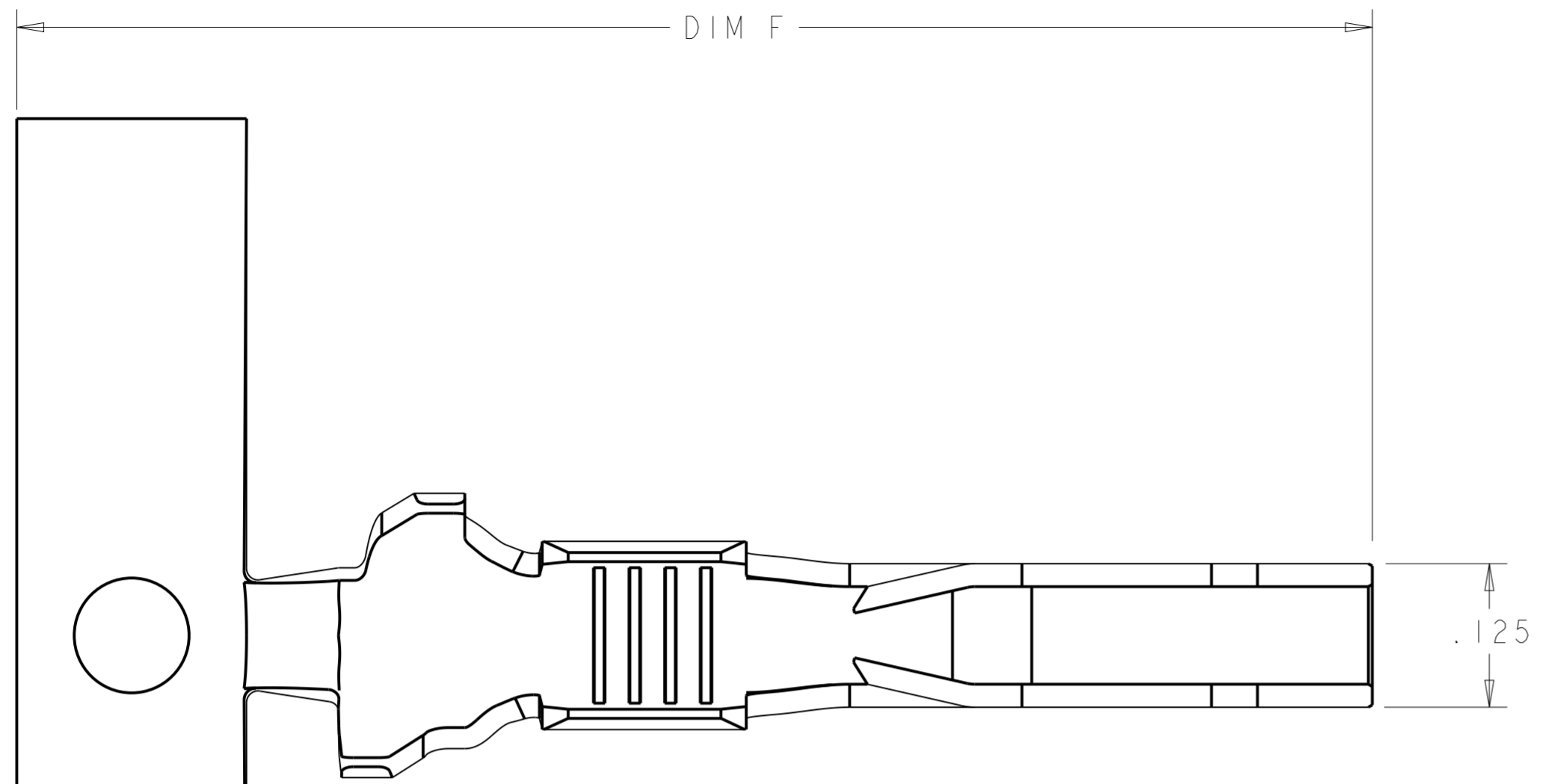
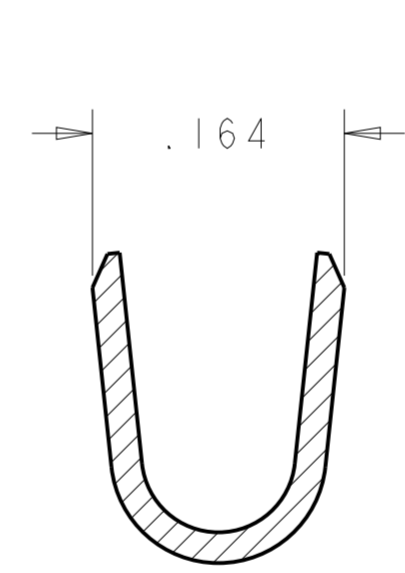
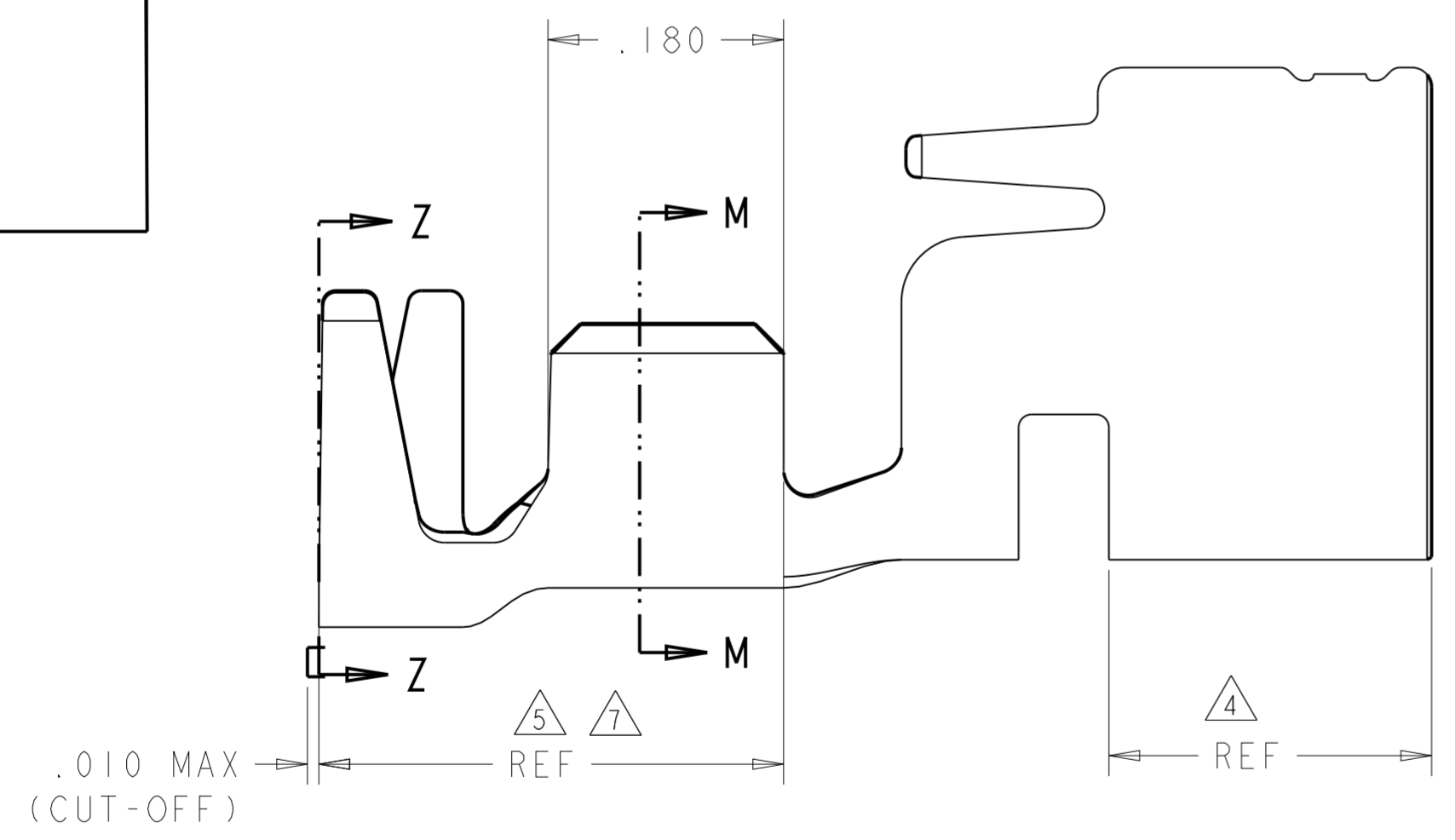


THIS DRAWING IS UNPUBLISHED. RELEASED FOR PUBLICATION 20  
 © COPYRIGHT 20 BY TYCO ELECTRONICS CORPORATION. ALL RIGHTS RESERVED.

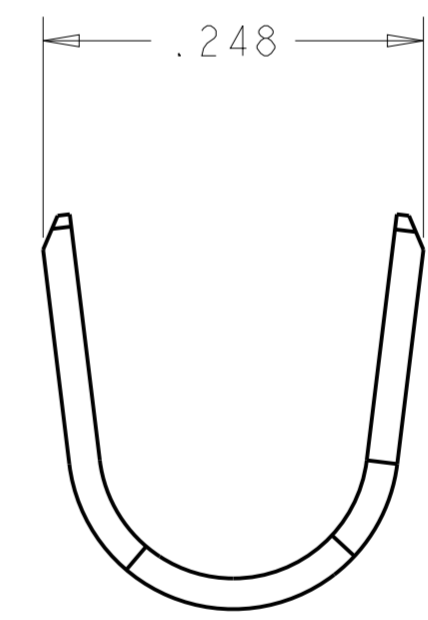
| LOC | DIST | REVISIONS |     |                       |           |     |      |
|-----|------|-----------|-----|-----------------------|-----------|-----|------|
| GP  | 00   | P         | LTR | DESCRIPTION           | DATE      | DWN | APVD |
|     |      | I         |     | REV PER OS12-0055-05  | 25JAN2005 | RG  | PA   |
|     |      | A         |     | REV PER OS15-0019-05  | 05APR2005 | RG  | PD   |
|     |      | B         |     | REV PER OS15-0090-05  | 13MAY2005 | RG  | PD   |
|     |      | BI        |     | REV PER ECO-14-002957 | 28FEB2014 | OL  | SZ   |



1. WIRE RANGE: 12 - 14 AWG
2. INSULATION RANGE: .120 - .176
- ③ FINISH: NICKEL PLATE ALL OVER 0.000050 MIN THICK
- ④ FINISH: NOBLE METAL PLATING ON CONTACT FUNCTIONAL AREA
- ⑤ FINISH: TIN IN AREA INDICATED 0.000050 - 0.000100 THK.
6. MATERIAL: HIGH CONDUCTIVITY COPPER ALLOY
- ⑦ FINISH: TIN-LEAD IN AREA INDICATED 0.000050 - 0.000100 THK



SECTION M-M



SECTION Z-Z

|              |        |             |                |
|--------------|--------|-------------|----------------|
| 1.135        | ③ ④ ⑤  | STD         | 1-1600961-8    |
| 1.185        | ③ ④ ⑤  | MFBL        | 1-1600961-7    |
| 1.135        | ③ ④ ⑦  | STD         | 1-1600961-0    |
| 1.185        | ③ ④ ⑦  | MFBL        | 1600961-9      |
| DIM F<br>REF | FINISH | DESCRIPTION | PART<br>NUMBER |

|   |   |   |  |
|---|---|---|--|
| <small>THIS DRAWING IS A CONTROLLED DOCUMENT FOR TYCO ELECTRONICS CORPORATION<br/>         IT IS SUBJECT TO CHANGE AND THE CONTROLLING ENGINEERING ORGANIZATION<br/>         SHOULD BE CONTACTED FOR THE LATEST REVISION.</small> |   | DWN 25 JAN 2005<br>R. GRZYBOWSKI<br>CHK P. D'AMATO<br>APVD P. D'AMATO               | <b>tyco</b><br>Electronics<br>Tyco Electronics<br>Harrisburg, PA 17105-3608  |
| DIMENSIONS:<br>INCHES<br>   | TOLERANCES UNLESS<br>OTHERWISE SPECIFIED:<br>0 PLC ±<br>1 PLC ±.10<br>2 PLC ±.05<br>3 PLC ±.0020<br>4 PLC ±<br>ANGLES ±<br>FINISH | PRODUCT SPEC 108-2157<br>APPLICATION SPEC 114-13112<br>WEIGHT -<br>CUSTOMER DRAWING | NAME VERTICAL BULKHEAD CABLE RECEPTACLE<br>POWER CONTACT<br>MULTI-BEAM XL<br>SIZE A2 CAGE CODE 00779 DRAWING NO C-1600961 RESTRICTED TO -<br>SCALE 8:1 SHEET 1 OF 1 REV BI |