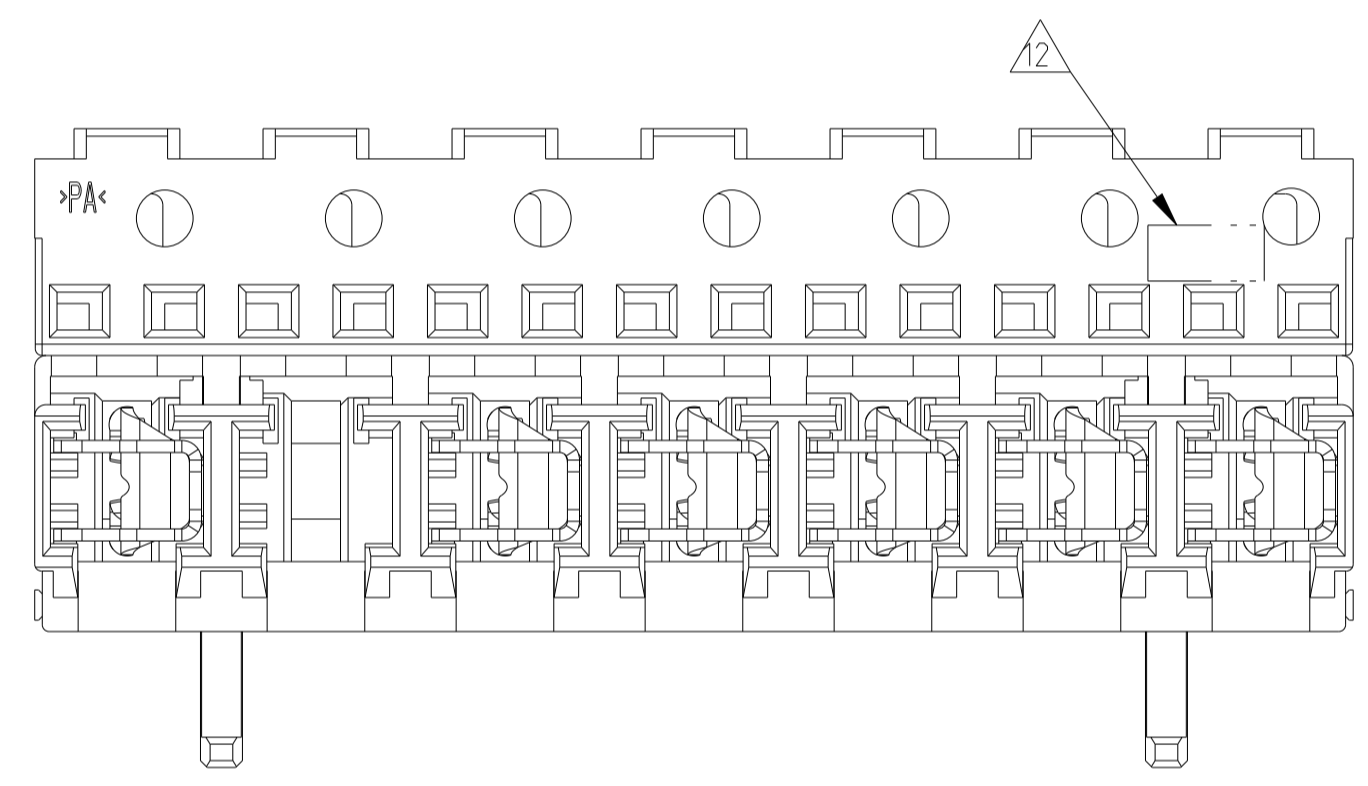
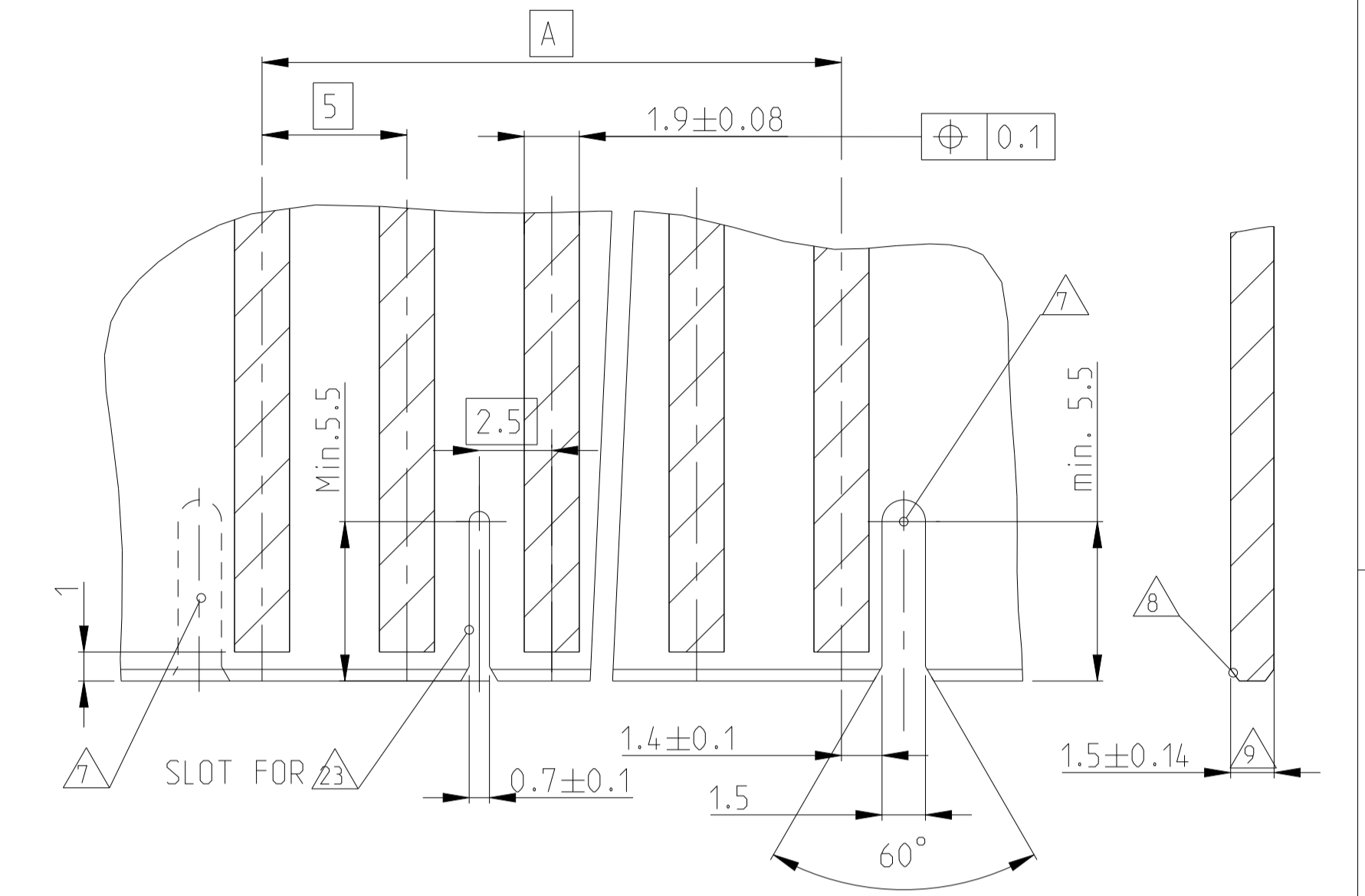
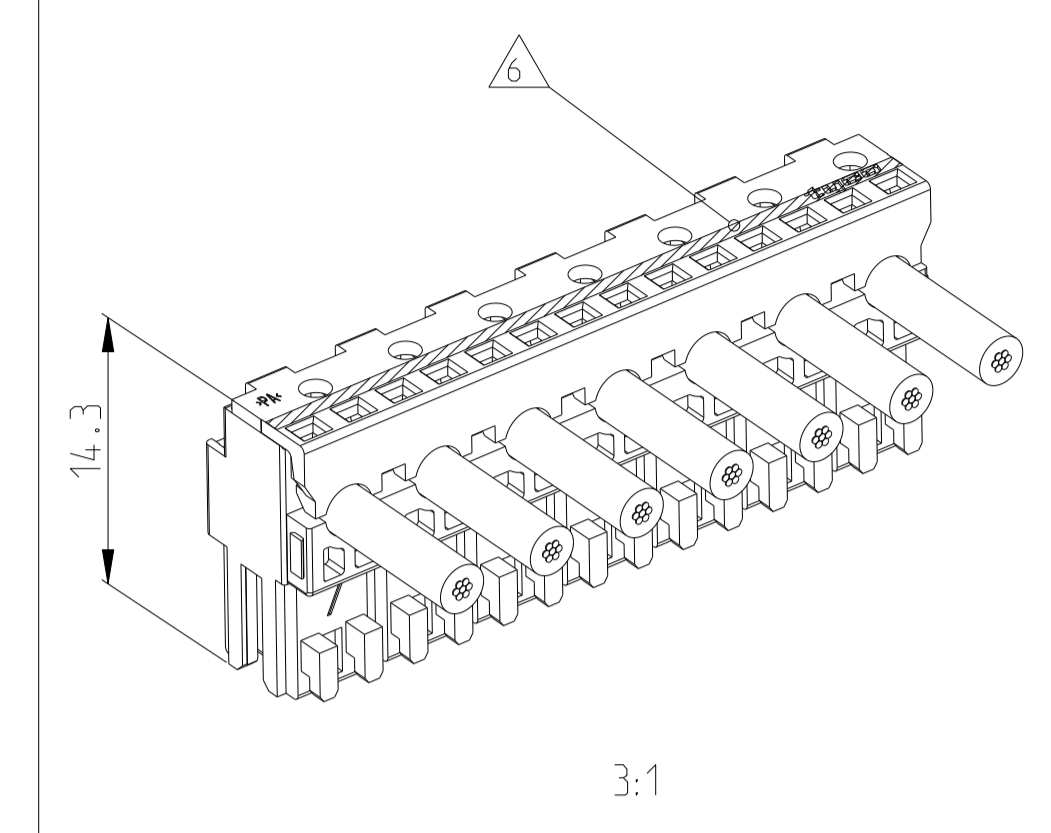
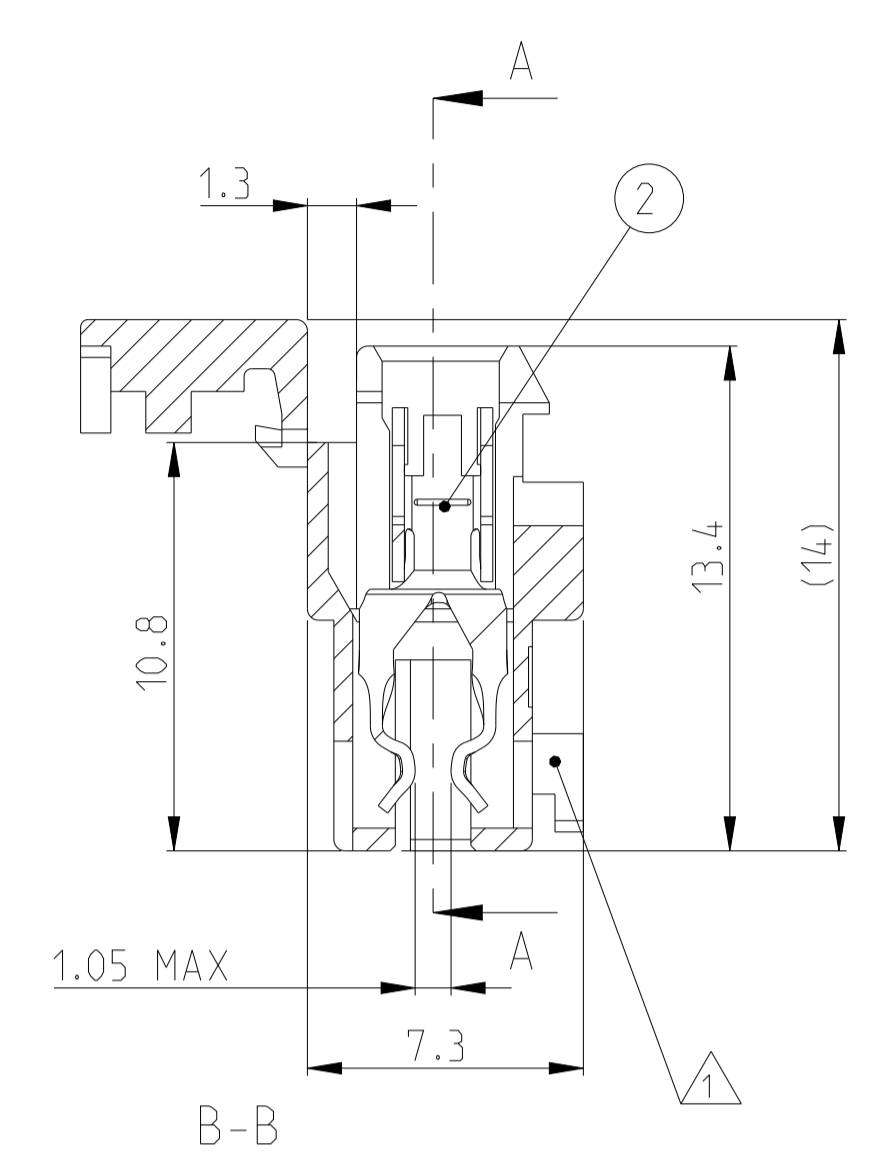
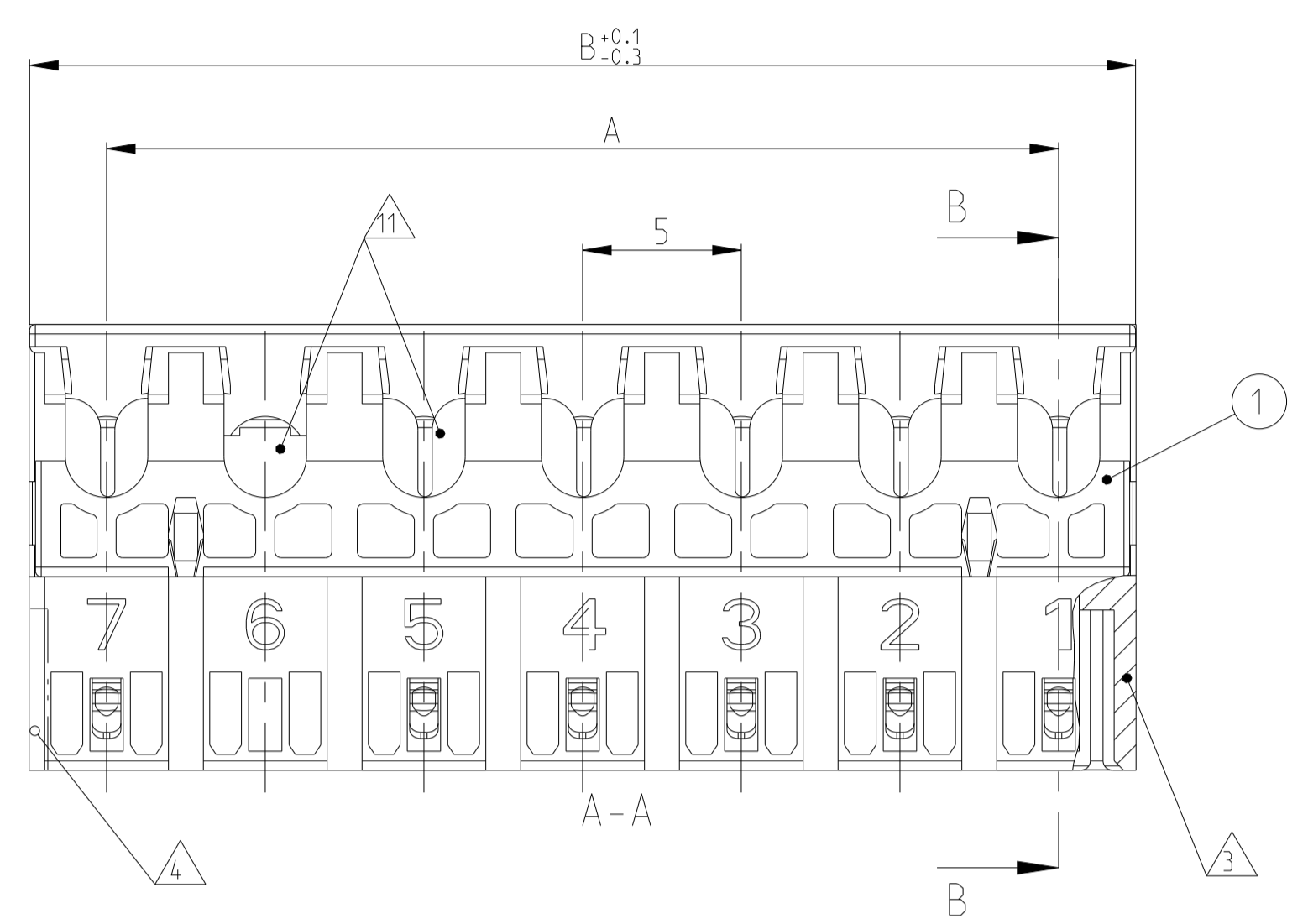
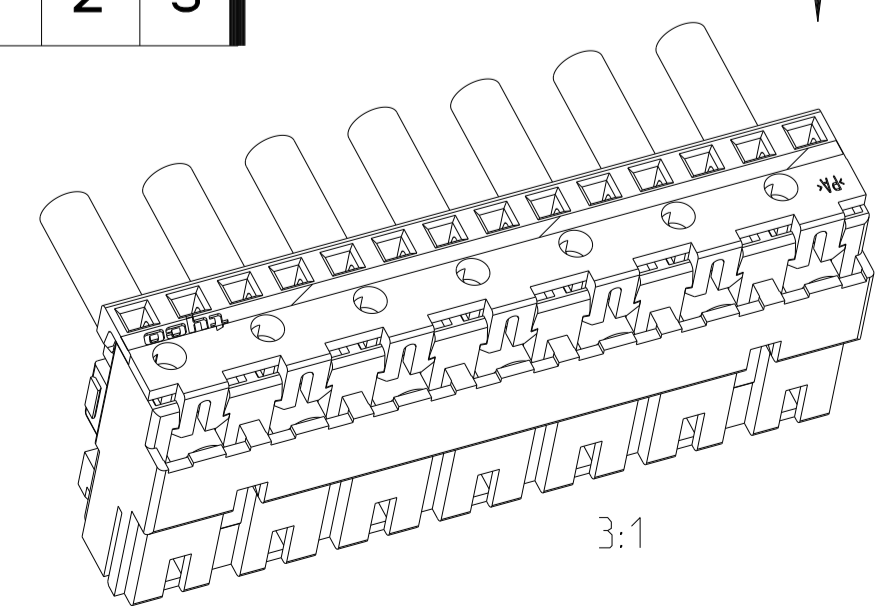
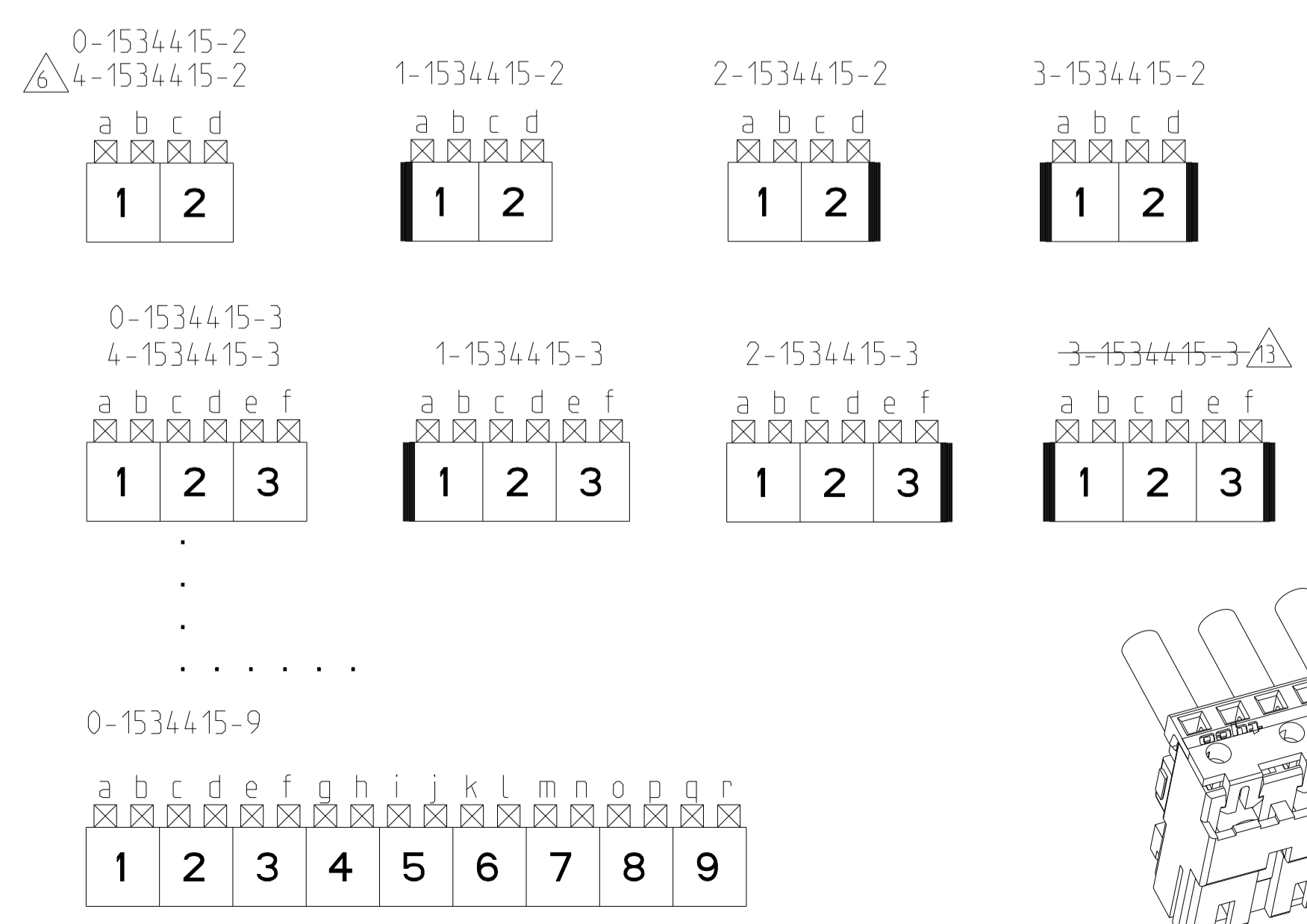


LOC	DIST	REVISIONS			
A1	-	REV	DATE	BY	APPV
		D21	ECR-20-100619	05NOV2020	W W FL
		D22	ECR-21-108728	16AUG2021	SM FL
		D23	ECR-21-114072	22SEP2021	SM FL
		D24	ECR-21-115341	28SEP2021	SM FL

PCB LAYOUT KEYED / CONNECTED ONLY WITH ADDITIONAL FRAME  
 Leiterplattenanschluss kodiert / nur in Verbindung mit zusätzlichem Rahmen



KEYING PLAN (VIEW Z)  
 Kodierschema (Ansicht Z)





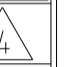


















- 16 KEYING BETWEEN POSITIONS
- 15 UL94 V0 AND GLOW WIRE TEST 750 °C WITHOUT FLAME
- 14 PRELIMINARY PART NOT RELEASED FOR PRODUCTION
- 13 OBSOLETE
- 12 TE LOGO


- 11 X...CAVITY LOADED WITH CONTACT  
 O...CAVITY WITHOUT CONTACT  
 X...Kammer mit Kontakt  
 O...Kammer ohne Kontakt
- 10 GLOW WIRE TEST 750 °C WITHOUT FLAME  
 Gluehdrahttest 750°C ohne Flamme
- 9 INCLUSIVE COPPER CLADDING:  
 Inclusive Kupferkaschierung:
- 8 PCB PREFERABLY CHAMFERED.  
 Leiterplatte vorzugsweise angefast.
- 7 SLOT FOR SIDE KEYING. 4 4  
 Schlitz fuer Seitenkodierung. 4 4 .
- 6 COLOUR MARKING ON TOP OF HOUSING OPTIONAL ON TERMINATION MACHINE  
 Farbmarkierung auf Gehäuseoberseite optional an Verarbeitungsmaschine
- MATING PART: PCB (WITH FRAMES ACC. RAST 2.5 E.G. PN 964 575/576)  
 TABHEADER PN 1 534 787/788  
 5 Passender Gegenstecker: Leiterplatten (mit Rahmen nach RAST 2.5 z.B. Tabwannen Nr. 1 534 787/788
- 4 SIDE KEYING, ON LAST CAVITY  
 Seitenkodierung, an letzter Kammer
- 3 SIDE KEYING, ON CAVITY 1  
 Seitenkodierung, an Kammer 1
- 2 WIRE RANGE: 0.35-0.75 mm<sup>2</sup>  
 Drahtgrößenbereich: 0.35-0.75 mm<sup>2</sup>
- 1 KEYING RIBS; CUTTING WITH TERMINATION MACHINE POSSIBLE  
 Kodierrippe; Schneiden auf der Verarbeitungsmaschine möglich

THIS DRAWING IS A CONTROLLED DOCUMENT.		OWN: H. Karabiyik 13OCT2016	
DIMENSIONS: mm		CHK: B. Schnaubelt 24JAN2002	
TOLERANCES UNLESS OTHERWISE SPECIFIED:		APVD: T. Klenner 24JAN2002	NAME: AMP DUOPLUG POWER FEMALE CONNECTOR (Standard Version)
0 PLC ±0.2		PRODUCT SPEC: 108-18780	SIZE: A1
1 PLC ±0.2		APPLICATION SPEC: 114-18458	CAGE CODE: 00779
2 PLC ±0.2		FINISH: #1*	DRAWING NO: C=1534415
3 PLC ±0.2		WEIGHT: -	SHEET 1 OF 2
4 PLC ±0.2		CUSTOMER DRAWING	REVISION: 024
ANGLES: -		SCALE: 5:1	

REVISIONS				
P	LTN	DESCRIPTION	DATE	OWN APVD
-		SEE SHEET 1	-	-

GWEPT 750°C NO FLAME + UL94-V0 																		
X	X	X	X	X	X	X	X	X	X	X	NATURE	10	40	49.9	3/4	-	-	2-2328644-0 
X	X	X	X	X	X	X	X	X	X	X	NATURE	10	40	49.9	-	-	-	1-2328644-0 
		X	X	X	X	X	X	X	X	X	NATURE	9	40	44.9	-	-	-	-
			0	0	X	X	X	X	X	X	NATURE	7	30	34.9	-	-	-	1-2328644-7 
					X	X	X	X	X	X	NATURE	7	30	34.9	-	-	-	2328644-7 
						X	X	X	X	X	NATURE	5	20	24.9	-	-	-	2328644-5 
									X	X	NATURE	3	10	14.9	-	-	X	2328644-3 
									X	X	NATURE	3	10	14.9	-	X	-	5-1534415-3
									X	X	NATURE	2	5	9.9	-	-	-	-
10	9	8	7	6	5	4	3	2	1									
CAVITY LOADED 											COLOR 	POS.	DIM A	DIM B	KEYING 	KEYING 	KEYING 	TE P/N
2	1	SEE TABLE siehe Tabelle		CONTACT Federleistengehaeuse		CuNiSi PA 6 		TINNED NATUR/Natur										
POS.		TE P/N	DESCRIPTION		MATERIAL	COLOUR/FINISH												

GWEPT 750°C NO FLAME + UL94-V2																		
X	X	X	X	X	X	X	X	X	X	X	NATURE	10	45	49.9	3/4	-	-	2-1534415-0
X	X	X	X	X	X	X	X	X	X	X	NATURE	10	45	49.9	-	-	-	1-1534415-0
		X	X	X	X	X	X	X	X	X	NATURE	9	40	44.9	-	-	-	0-1534415-9
			X	X	X	X	X	X	X	X	NATURE	8	35	39.9	-	-	-	0-1534415-8
				X	X	X	X	X	X	X	NATURE	7	30	34.9	-	-	-	0-1534415-7
					X	X	X	X	X	X	NATURE	6	25	29.9	-	-	-	0-1534415-6
						X	X	X	X	X	NATURE	5	20	24.9	-	-	-	0-1534415-5
							X	X	X	X	NATURE	4	15	19.9	-	X	-	3-1534415-4
								X	X	X	NATURE	4	15	19.9	3/4	X	X	2-1534415-4
									X	X	NATURE	4	15	19.9	2/3	X	X	1-1534415-4
										X	NATURE	4	15	19.9	-	-	-	0-1534415-4
									X	X	RED	3	10	14.9	-	X	-	8-1534415-3
									X	X	GREEN	3	10	14.9	-	-	X	7-1534415-3
									X	X	NATURE	3	10	14.9	1/2	-	X	6-1534415-3
									X	0	NATURE	3	10	14.9	-	-	-	4-1534415-3
									X	X		3	10	14.9	-	X	X	3-1534415-3 
									X	X	NATURE	3	10	14.9	-	X	-	2-1534415-3
									X	X	NATURE	3	10	14.9	-	-	X	1-1534415-3
									X	X	NATURE	3	10	14.9	-	-	-	0-1534415-3
									X	X	BROWN	2	5	9.9	-	-	-	4-1534415-2 
									X	X	NATURE	2	5	9.9	-	X	X	3-1534415-2
									X	X	NATURE	2	5	9.9	-	X	-	2-1534415-2
									X	X	NATURE	2	5	9.9	-	-	X	1-1534415-2
									X	X	NATURE	2	5	9.9	-	-	-	0-1534415-2
10	9	8	7	6	5	4	3	2	1									
CAVITY LOADED 											COLOR 	POS. Polzahl	DIM A	DIM B	KEYING 	KEYING 	KEYING 	PN Bestell-Nr.
2	1	SEE TABLE siehe Tabelle		KONTAKT Federleistengehaeuse		CuNiSi PA 6 		TINNED NATUR/Natur										
POS.		PN Bestell-Nr.	DESCRIPTION Beschreibung		MATERIAL	COLOUR/FINISH Farbe/Oberflaeche												

THIS DRAWING IS A CONTROLLED DOCUMENT.		OWN H. Karabiyik 13OCT2016	 TE Connectivity
DIMENSIONS: mm		CHK B. Schnaubelt 24JAN2002	
TOLERANCES UNLESS OTHERWISE SPECIFIED:		APVD T. Klenner 24JAN2002	NAME AMP DUOPLUG POWER FEMALE CONNECTOR (Standard Version)
0 PLC ±0.2		PRODUCT SPEC	
1 PLC ±0.2		108-18780	SIZE CAGE CODE DRAWING NO RESTRICTED TO
2 PLC ±0.2		APPLICATION SPEC	
3 PLC ±		116-18458	A1 00779 ©=1534415
4 PLC ±		WEIGHT -	
ANGLES FINISH		CUSTOMER DRAWING	SCALE 5:1 SHEET 2 OF 2