

Customer 顾客:

SPECIFICATION FOR APPROVAL

规格承认书

Product Name 产品名称: SMD Crystal Resonator 贴片石英晶体谐振器

FOKING P/N 编码: 824A016000-09802050

Description/产品描述: Seam Seal 焊接密封 2520 32 MHz 09PF 80Ω ±10PPM

Customer P/N 顾客编码: _____

Present Date 介绍日期: 2019-10-24

Customer Confirm 顾客确认		Customer Approval Chapter 顾客承认章
Approver 承认者		
Department 部门		
Date 日期		

FOKING Confirm 确认		FOKING Issue Chapter 发行章
Present 介绍	陈丽	
Check 检查	莫平会	
Approver 承认者	陈晓群	

ISO9000: 2015
ISO14001:2015

RoHS
compliant

IATF/TS16949
:2016

Pb Free

质量方针: 满足需求, 质量第一; 诚信高效, 顾客至上; 科学管理, 持续改进。



CONTENT 目录

ITEM项目	Page页
1. Electrical Specification 电气性能	02
2. Solder Dimension And Pattern 焊接模型尺寸图	03
3. Equivalent Circuit: 等效电路图	03
4. Structure drawing 结构图	03
5. Reliability Specification 可靠性说明	04
6. Marking specification 标识说明	05
7. Type & Reel 编带类型及卷盘	05
8. Packing Specification 包装说明	06

1. Electrical characteristics 电气性能

Items 项目	Symbol 符号	Specification 规格说明			Unit 单位	Notes
		Min 最小	Typ 标准	Max 最大		
Model No 型号		Seam Seal 2520				
Blank Cutting Mode 晶片切型		AT FUND.				
Nominal Frequency 标称频率	FL	32.000000			MHz	
Oscillation Mode 振荡模式		<input checked="" type="checkbox"/> Fundamental <input type="checkbox"/> 3rd				
Load Capacitance 负载电容	CL		09		pF	
Frequency Tolerance at 25 degrees 25℃频率公差		-10		10	ppm	
Operating Temperature 工作温度	Topr	-20		70	℃	
Storage Temperature 储存温度	Tstg	-40	~	85	℃	
Drive Level 驱动功率	DL		100		uW	
Trim Sensitivity/Pulling Factor 微调灵敏度/拉力系数	TS			-	Ppm/ pF	
Effective Resistance RR 等效电阻	Rr	-	-	80	Ω	-
Typical Shunt Capacitance 典型并联电容	C0	-	-	7	pF	-
Motional Capacitance C1 动态电容	C1	-	-	NA	fF	-
Insulation Resistance 绝缘电阻	Rins	500	-	-	MΩ	at DC 100V
Aging:老化率		-3		+3	ppm	Per year
Weight 重量			0.012		g	

Remark备注: Sample Data See Attachment 抽样资料见附件

Measure equipment 测量设备:

Electrical characteristics measured by S&A 250B or equivalent.

电气性能测量为S&A 250B或相当设备。

Hermetically 密封性:

Fine Leak 细漏: Helium Bombing 4kg/cm² for 1 Hour, Leak ate Less Than 1×10⁻⁸ atm. cc/sec

质量方针: 满足需求, 质量第一; 诚信高效, 顾客至上; 科学管理, 持续改进。

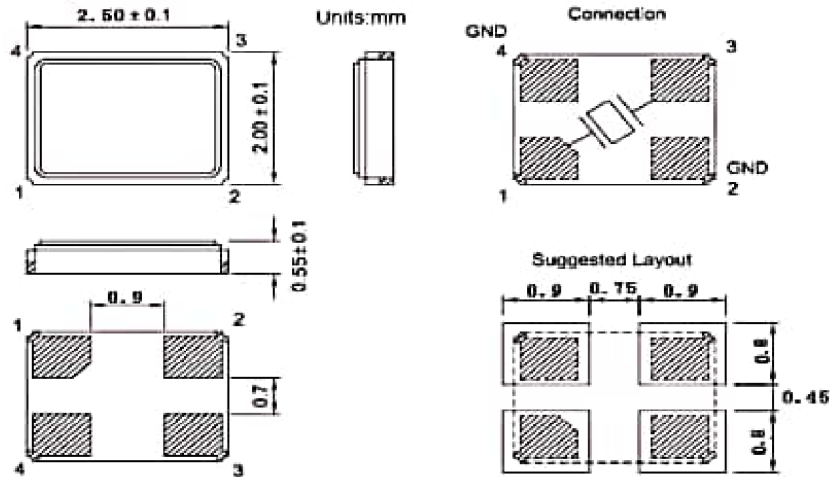


氦气加压 $4\text{kg}/\text{cm}^2$ 1小时, 氦质谱检漏仪检测泄漏小于 $1 \times 10^{-8} \text{ atm. cc/sec}$

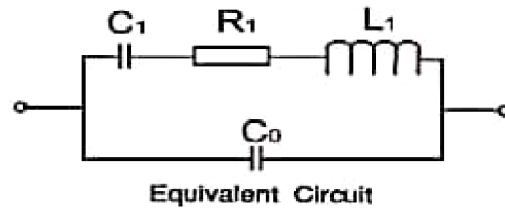
Gross Leak精漏: 125°C FC#40, 120 Seconds, No Bubble

放入 125°C 氟油 120秒不起泡

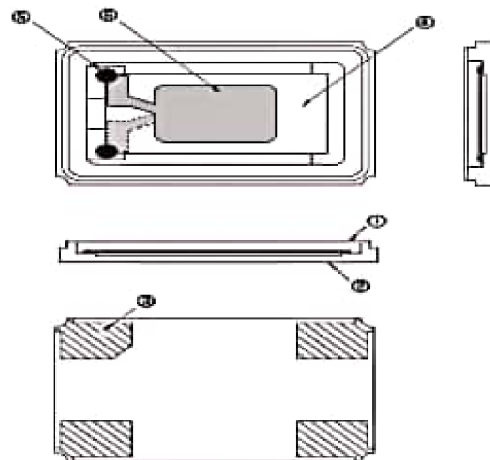
2.Solder Dimension And Pattern焊接模型尺寸图:



3、Equivalent Circuit等效电路图:



4. Structure drawing结构图:

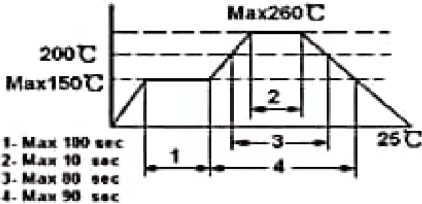


NO	COMPONENTS 构成	MATERIALS 原料	QTY 数量	FINISH / SPECIFICATIONS 结束/说明
1	Cap上盖	Metal (Fe)金属	1	-
2	Base基座	Ceramic陶瓷制品	1	Color black炭黑色
3	PAD焊盘	Au金	4	Tungsten metalize钨合金 + Ni plating镍电镀 + Au plating金电镀
4	Crystal Blank石英晶片	SiO ₂ 二氧化硅	1	-
5	Conductive Adhesive 导电粘合剂	Ag银	4	Silicone硅树脂
6	Electrode电极	Ag银 + Cr铬	2	-

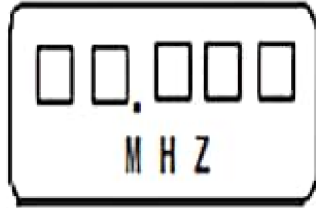
5. Reliability Specification可靠性说明

	Item 项目	Condition 条件	Standard 标准
1.	Drop characteristics 跌落特性	Free drop from 75cm height on a hard wooden board for 3 times. (Board is thickness more than 30 mm.)	Frequency change: $\leq \pm 5\text{ppm}$ Rr as specification
2	Mechanical shock 机械冲击	Device are shocked to half sine wave (1000g) three mutually perpendicular axes each 3 times	Frequency change: $\leq \pm 5\text{ppm}$ Rr as specification
3.	Shake characteristics 震动特性	Shake frequency 10~55Hz, cycl~2 minutes, swing 1.5mm, direction x/y/z, all 30 minutes, test after 1 hours.	Frequency change: $\leq \pm 5\text{ppm}$ Rr as specification
4.	Humidity characteristics 湿度特性	+40 \pm 2 $^{\circ}$ C & 90%~95% R.H. 250 hours	Frequency change: $\leq \pm 5\text{ppm}$ Rr as specification
5.	Low temperature characteristics 低温特性	-40 \pm 2 $^{\circ}$ C, 250 hours, put in room temperature, test after 1 hours.	Frequency change: $\leq \pm 5\text{ppm}$ Rr as specification
6.	High temperature characteristics 高温特性	+85 \pm 2 $^{\circ}$ C, 250 hours, put in room temperature, test after 1 hours.	Frequency change: $\leq \pm 5\text{ppm}$ Rr as specification
7.	Temperature cycling 温度循环	-30 \pm 3 $^{\circ}$ C/30 \pm 3 min~+85 \pm 2 $^{\circ}$ C/30 \pm 3min, 5 cycles	Frequency change: $\leq \pm 5\text{ppm}$ Rr as specification



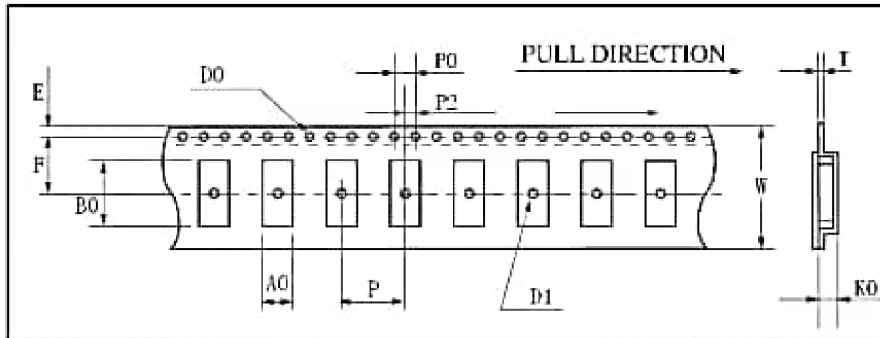
8.	Refluence examination 回流焊特性	 <p>1. Max 180 sec 2. Max 10 sec 3. Max 80 sec 4. Max 90 sec</p>	Frequency change: $\leq \pm 5\text{ppm}$ Rr as specification
----	-----------------------------	---	---

6. Marking specification 标识说明



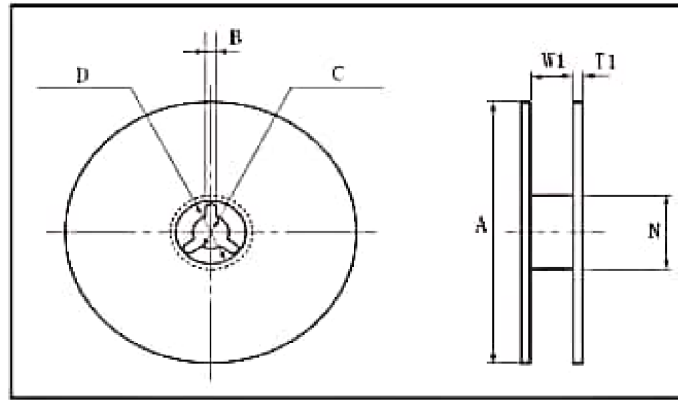
Frequency
频率

7. Type & Reel 编带类型及卷盘



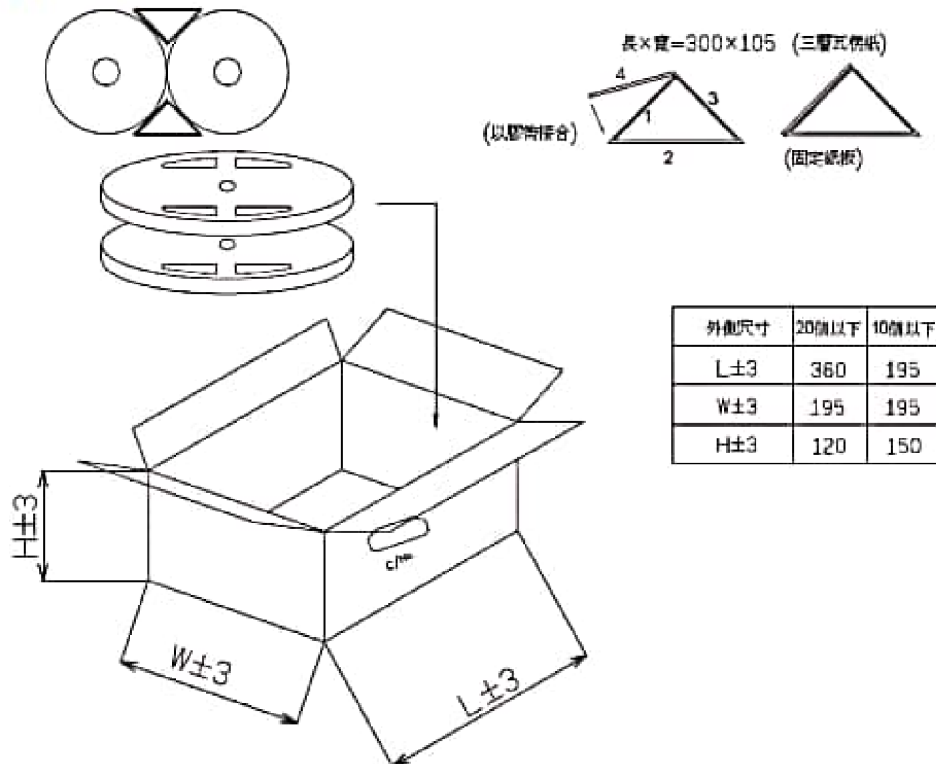
	HC-49SMD	5032	3225	2520
W	24.00 ± 0.30	12.00 ± 0.05	8.00 ± 0.05	8.00 ± 0.05
E	1.75 ± 0.10	1.75 ± 0.10	1.75 ± 0.05	1.75 ± 0.05
F	11.5 ± 0.10	5.5 ± 0.10	3.5 ± 0.05	3.5 ± 0.05
T	0.40 ± 0.05	0.30 ± 0.05	0.25 ± 0.03	0.25 ± 0.03
P	12.00 ± 0.10	8.00 ± 0.10	4.00 ± 0.05	4.00 ± 0.05
P0	4.00 ± 0.10	4.00 ± 0.10	4.00 ± 0.05	4.00 ± 0.05
P2	2.00 ± 0.10	2.00 ± 0.10	2.00 ± 0.05	2.00 ± 0.05
D0	φ 1.50 ± 0.10	φ 1.50 ± 0.10	φ 1.50 ± 0.10	φ 1.50 ± 0.10
D1	φ 1.50 MIN	φ 1.50 MIN	φ 1.00 MIN	φ 1.00 MIN
A0	4.60 ± 0.10	3.50 ± 0.10	2.70 ± 0.05	2.25 ± 0.05
K0	4.40 ± 0.10	1.60 ± 0.10	1.50 ± 0.10	0.70 ± 0.10
B0	14.20 ± 0.15	5.20 ± 0.10	3.50 ± 0.05	2.75 ± 0.05





	HC-49SMD	5032	3225	2520
A	φ 330 ± 1.0	φ 178 ± 2.0	φ 178 ± 2.0	φ 178 ± 2.0
B	2.30 ± 0.20	2.00 ± 0.50	2.50 ± 0.50	2.50 ± 0.50
C	φ 13.5 ± 0.20	φ 13.2 ± 0.20	φ 13.5 ± 0.20	φ 13.5 ± 0.20
D	φ 21.5 ± 0.20	φ 20.0 ± 0.50	φ 56.8 ± 0.50	φ 56.8 ± 0.50
N	φ 100.0 ± 0.5	φ 60.5 ± 1.0	φ 60.5 ± 1.0	φ 60.5 ± 1.0
W1	2.45 ± 0.20	12.5 ± 0.20	9.4 ± 0.30	9.4 ± 0.30
T1	2.30 ± 0.20	1.80 ± 0.20	1.40 ± 0.20	1.40 ± 0.20

8. Packing Specification 包装说明



外觀尺寸	20個以下	10個以下
L±3	360	195
W±3	195	195
H±3	120	150

