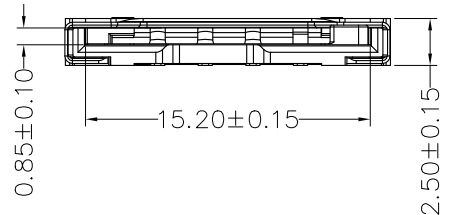
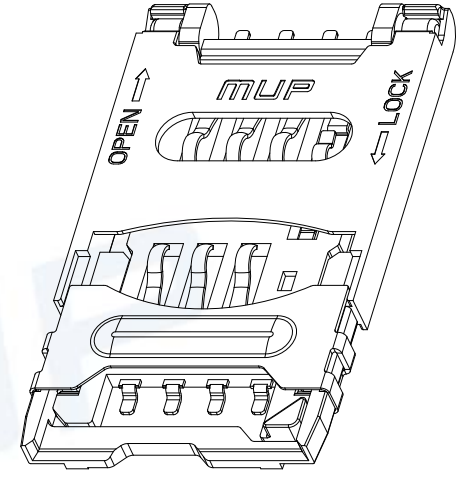
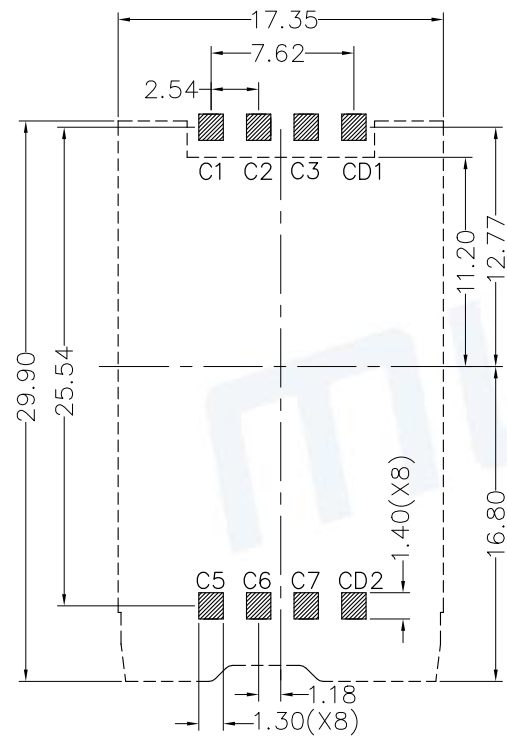
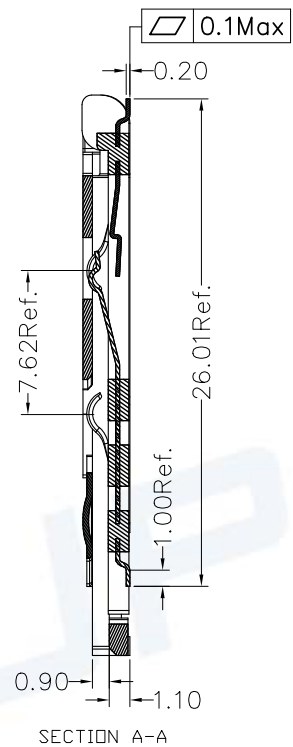
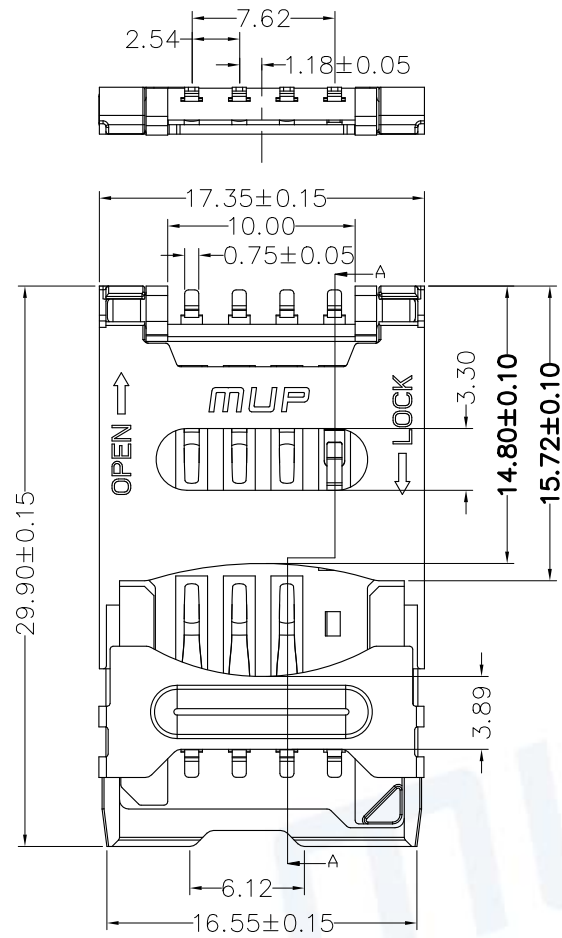
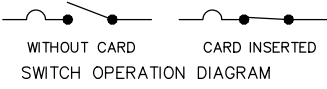


REV.	DESCRIPTION OF REVISIONS	APPR.	DRAW.	RELEASE	DATE
X1					
X2					



ELECTRIC FUNCTION	DETECT SWITCH
WITHOUT CARD	OPEN
CARD INSERTED	CLOSED



TECHNICAL CHARACTERISTICS

- General Characteristics**
 Dimensions: 29.90X17.35WX2.50H mm
 Weight: Approx 1.20±0.2g
 Durability: 5,000 cycles min.
- Electrical Characteristics**
 Contact resistance: 50mΩ typical, 100mΩ max
 Insulation resistance: >1000MΩ/500V DC
- Solderability**
 Vapor phase: 215°C, 30sec. Max
 IR reflow: 260°C, 5sec. Max
 Manual soldering: 370°C, 3sec. Max
- Environmental Characteristics**
 Operating temperature: -40°C~+85°C
 Operating humidity: 10%~+95%RH

ITEM	PART NAME	Q'TY	MATERIAL	FINISH
1	BASE	1	LCP	Black UL94V-0
2	COVER	1	LCP	Black UL94V-0
3	DATA CONTACT	6	C5191R-H	Contact area: 5u" Au
4	SLIDER LOCKED	1	SUS304R-H	
3	SWITCH CONTACT 2	1	C5191R-H	Contact area: Gold plated
4	SWITCH CONTACT 1	1	C5191R-H	Contact area: Gold plated

Unless otherwise specified, other tolerance are:

MUP MUP INDUSTRIAL CO.,LTD.

NAME: **SIM Card Connector**

MODEL NO: **MUP C706-3**

TYPE: **H2.5 without post 6p**

PROJ.	UNIT	SCALE	DRAWN	Zoey	Jan.06.2014	DWG NO.:	
	mm	1:1	CHECKED	Jimmy	Jan.06.2014	DWG-MUP-C706-003	
CUSTOMER DRAWING			APPROVAL	Simon	Jan.06.2014	SHEET	REVISION
						1/1	X1

