

NOTES1:

- UL Standard
- 1. Rated voltage/current : 300V / 12A
- 2. Withstanding voltage : AC1600V/1Min.
- 3. Wire range : 28~14AWG

IEC Standard

1. Pollution degree	2	2	3
Overvoltage category	II	III	III
Rate impulse voltage(KV)	4KV	4KV	4KV
Rate voltage(V)	500V	320V	250V
Rate current(A)		17.5A	

2. Wire range : 0.2~1.5mm<sup>2</sup>

NOTES2:

- 1. Dimension shall be interpreted per ASME Y14.5-2009
- 2. Pitch : 5.00mm, Poles : N=02~24P
- 3. Stripping length : 8~9mm
- 4. Operating temperature: -40°C~+130°C
- 5. Undimensioned tolerances:

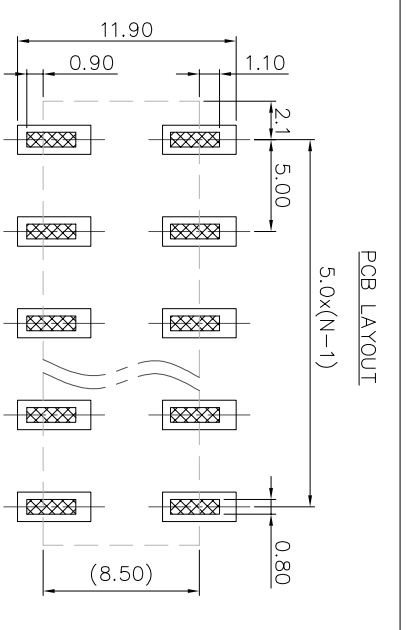
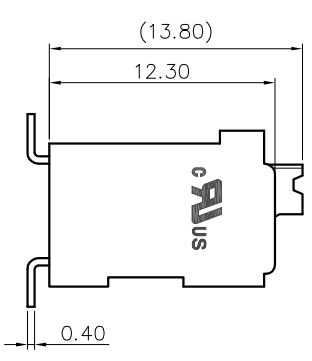
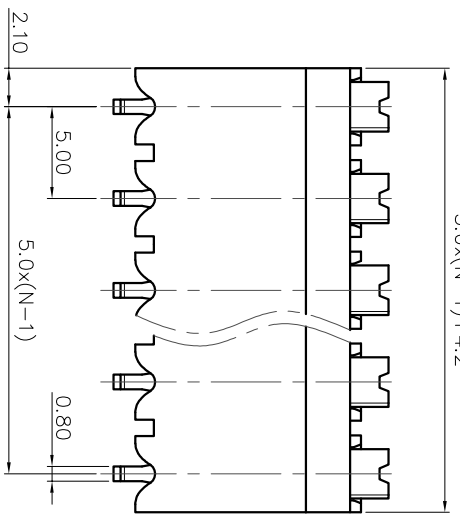
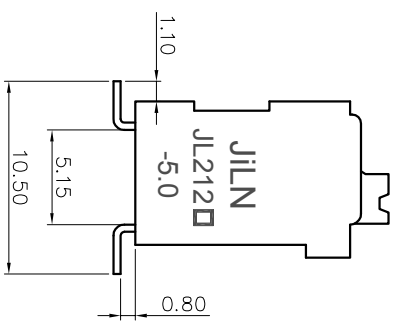
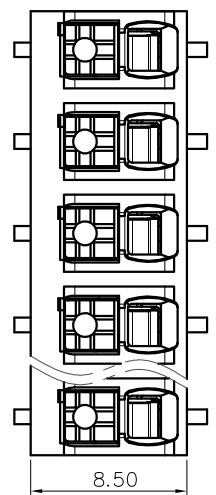
Pitch range in mm	Nominal dimension range		
	in mm	mm	mm
Over 6	Over 10	Over 30	Over 60
TO 6	TO 10	TO 30	TO 60
TO 10	TO 24	TO 50	TO 100
			TO 150
			TO 150

6. RoHS Compliance

# Ordering Information

JL212V-SMT- 500 XX B P 1

- Pitch 500=5.0PH
- No. of pins 2P~24P
- Housing Color B=Black, G=Green, U=Blue, R=Red, W=White, Y=Yellow, D=Drange, E=Grey
- Packing 0=Pe boog, T=Tube, A=Tray, P=Tube+Cap, R=Reel+Cap, M=Reel+Mylar



REVISION RECORD			
REV	ECN	DESCRIPTION	DATE
A		NEW	22.5.30

DRAW	SHUANGPING ZHENG	SCALE	FIT	<p><b>JIN</b> 东莞市锦凌电子有限公司 DONGGUAN JINLING ELECTRONIC CO., LTD</p>
CHECK	LICHAD LIU	UNIT	mm	
APPROVE	YONGLIANG GAO	SIZE	A4	PART NO.
		SHEET	1/1	JL212V-SMT-500XXBP1
		PRD		TITLE:
				JL212V-SMT-THR-5.0-XXP 弹簧式立脚黑色/管装