

NOTES1:

- UL Standard
- 1. Rated voltage/current : 300V / 12A
- 2. Withstanding voltage : AC1600V/1Min.
- 3. Wire range : 28~14AWG

IEC Standard

1. Pollution degree	2	2	3
Overvoltage category	II	III	III
Rate impulse voltage(KV)	4KV	4KV	4KV
Rate voltage(V)	500V	320V	250V
Rate current(A)		17.5A	

2. Wire range : 0.2~1.5mm²

NOTES2:

- 1. Dimension shall be interpreted per ASME Y14.5-2009
- 2. Pitch : 5.00mm, Poles : N=02~24P
- 3. Stripping length : 8~9mm
- 4. Operating temperature: -40°C~+130°C
- 5. Undimensioned tolerances:

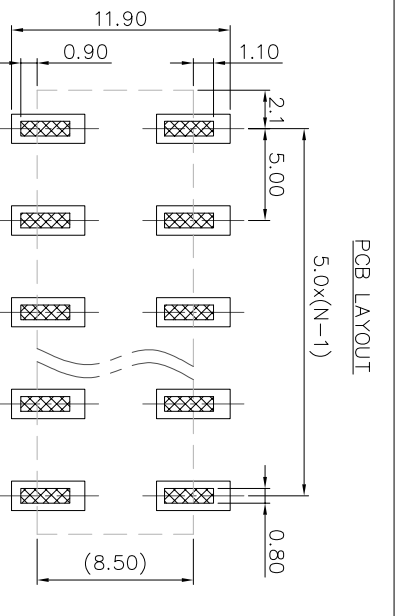
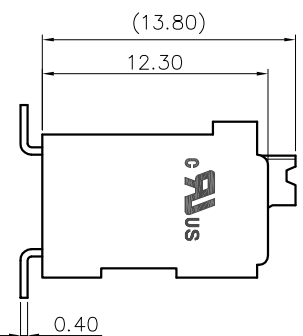
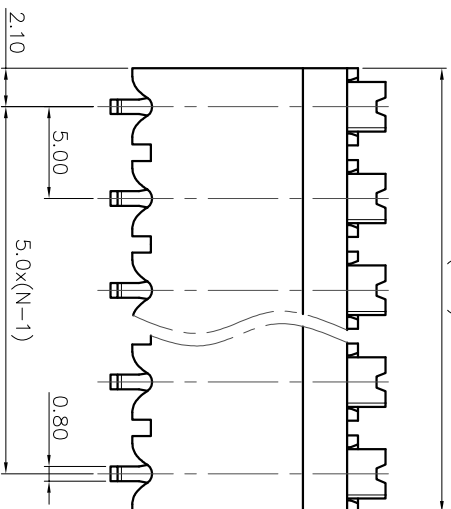
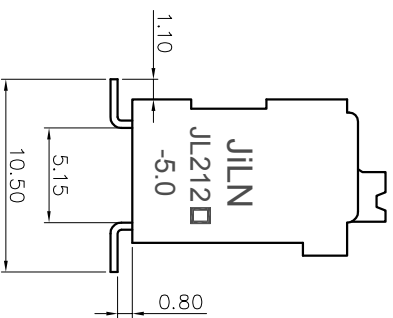
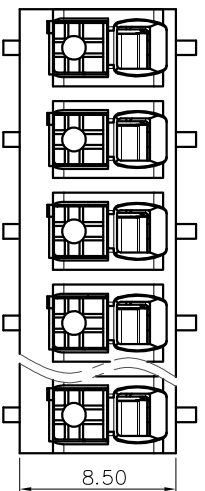
Pitch range in mm	Nominal dimension range			mm
	Over	Over	Over	
6	10	30	60	0.1/10
10	10	60	100	150
24	30	60	100	150
±0.15	±0.20	±0.30	±0.50	±0.70 ±1.00 ±1.30 ±2:

6. RoHS Compliance

Ordering Information

JL212V-SMT- 500 XX B P 1

- Pitch 500=5.0PH
- No. of pins 2P~24P
- Housing Color B=Black G=Green U=Blue R=Red W=White Y=Yellow D=Drange E=Grey
- Packing 0=Re boog T=Tube A=Tray P=Tube+Cap R=Reel+Cap M=Reel+Mylar



REVISION RECORD				
REV	ECN	DESCRIPTION	DRFT	DATE
A		NEW		22.5.30

DRAW	SHUANGPING ZHENG	SCALE	FIT	<p>JIN[®] 东莞市锦凌电子有限公司 DONGGUAN JINLING ELECTRONIC CO., LTD</p>
CHECK	LICHAD LIU	UNIT	mm	
APPROVE	YONGLIANG GAO	SIZE	A4	
		SHEET	1/1	PART NO.
		PRD J		JL212V-SMT-500XXBP1
				TITLE:
				JL212V-SMT-THR-5.0-XXP 弹簧式立脚黑色/管装