

**P/N LEGEND**

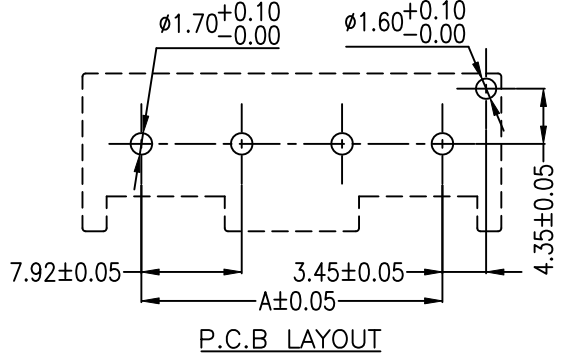
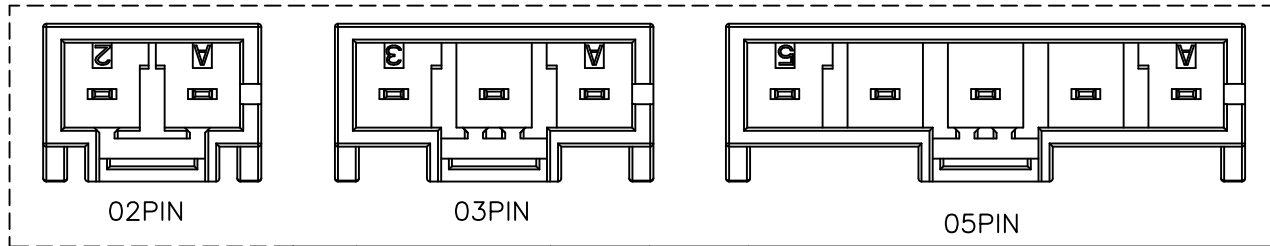
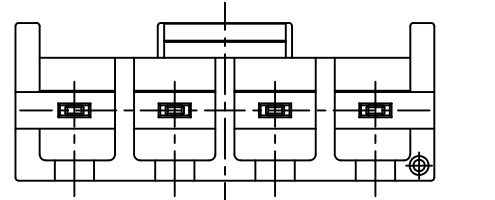
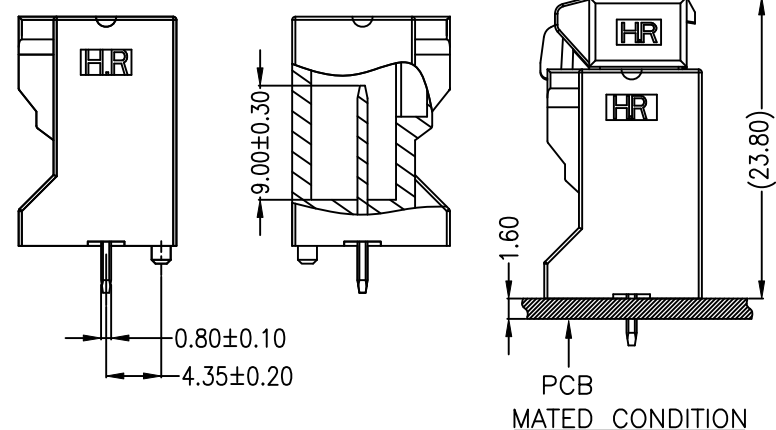
A7925 WV-F-XP R N N XX N 00 G

① Series No.  
 ② Connector type: WV=Vertical  
 ③ Mounting type: F=With boss  
 ④ No. of circuits  
 ⑤ R=RoHs  
 ⑥ Material: N=Nylon66-V0, NO FLAME  
 ⑦ Color: N=Natural  
 ⑧ Plating code for contacts:  
 T1=Tin-plated 80u" MIN over Nickel-plated 30u" MIN  
 HC=Gold-plated 8u" MIN on contact area,  
 Matte Tin-plated 80u" MIN on solder area  
 over Nickel-plated 30u"  
 ⑨ Plating code: N=Non-plating  
 ⑩ Option code: 00=Standard  
 ⑪ Packing code: G=Bag

**SPECIFICATIONS**

Current Rating: 13A~30A AC,DC  
 Voltage Rating: 600V AC,DC  
 Temperature Range: -55°C ~ +85°C  
 Contact Resistance: 5mΩ Max.  
 Insulation Resistance: 1000MΩ Min.  
 Withstanding Voltage: 2500V AC/minute  
 Pin Material: High conductivity copper alloy

Circuit No.	Dimensions	
	A	B
02P	7.92	17.22
03P	15.84	25.14
04P	23.76	33.06
05P	31.68	40.98



				燦達電子工業股份有限公司 JOINT TECH ELECTRONIC IND. CO., LTD.		
				UNIT	SCALE	SHEET
mm	1 : 1	1 of 1	7.92mm PITCH 180° WAFER STANDARD TYPE			
DRAWN BY		APPROVED BY		DRAW NO. :		
鄭小嬌		徐富永			A7925WV-F-XPRXXXXX00G	
2022.06.20		2022.06.20		REV. A0		
GENERAL TOLERANCE						
X. X±0.25		ANGLE±		REV. A0		
X. XX±0.15		▽				
X. XXX±0.05		▽				