

**P/N LEGEND**

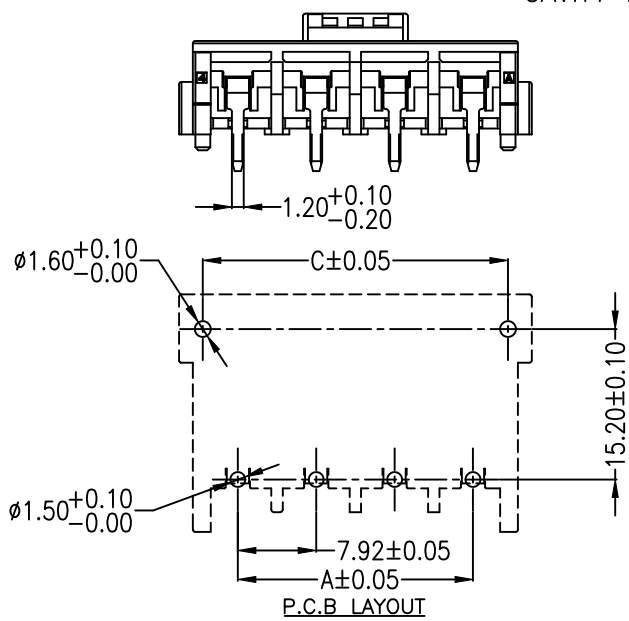
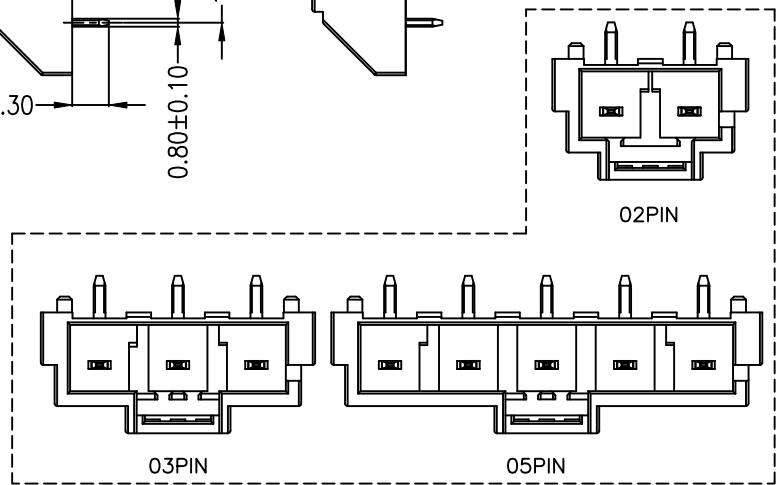
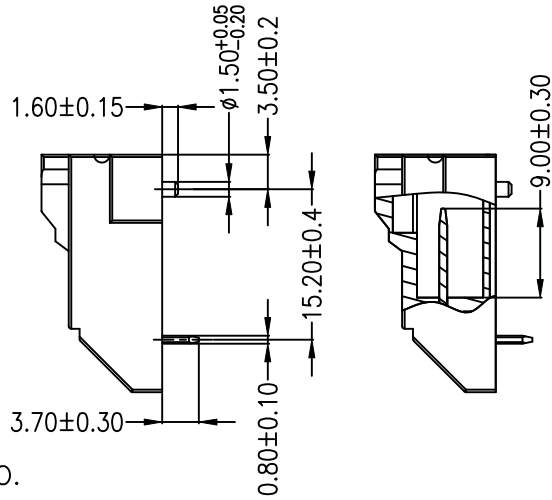
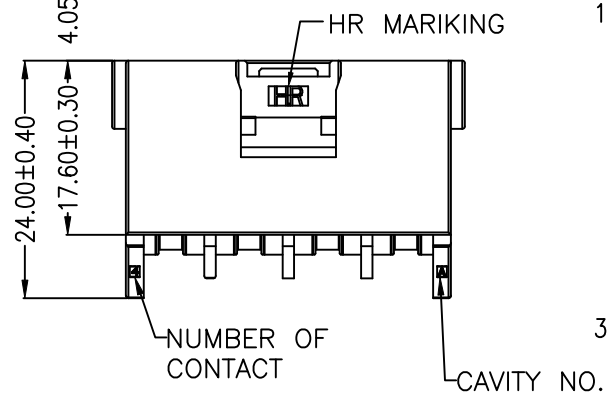
A7925 WR-F-XP R N N XX N 00 G

① Series No.  
 ② Connector type: WR=Right angle  
 ③ Mounting type: F=With boss  
 ④ No. of circuits  
 ⑤ R=RoHs  
 ⑥ Material: N=Nylon66-V0, NO FLAME  
 ⑦ Color: N=Natural  
 ⑧ Plating code for contacts:  
 T1=Tin-plated 80u"MIN over Nickel-plated 30u"MIN  
 HC=Gold-plated 8u"MIN on contact area,  
 Matte Tin-plated 80u"MIN on solder  
 area over Nickel-plated 30u"MIN  
 ⑨ Plating code: N=Non-plating  
 ⑩ Option code: 00=Standard  
 ⑪ Packing code: G=Bag

**SPECIFICATIONS**

Current Rating: 13A~30A AC,DC  
 Voltage Rating: 600V AC,DC  
 Temperature Range: -55°C ~ +105°C  
 Contact Resistance: 10mΩ Max.  
 Insulation Resistance: 1000MΩ Min.  
 Withstanding Voltage: 2500V AC/minute  
 Pin Material: High conductivity copper alloy

Circuit No.	Dimensions		
	A	B	C
02P	7.92	19.80	15.00
03P	15.84	27.72	22.92
04P	23.76	35.64	30.84
05P	31.68	43.56	38.76



				UNIT	SCALE	SHEET	TITLE:
				mm	1 : 1	1 of 1	
DRAWN BY		APPROVED BY		7.92mm PITCH 90° WAFER STANDARD TYPE			
鄭小嬌		徐富永					
2022.08.03		2022.08.03					
GENERAL TOLERANCE				DRAW NO. :			
X. X±0.25		ANGLE±		A7925WR-F-XPRXXXXX00G			
X. XX±0.15		▽					
X. XXX±0.05		◎		REV. A0	REV. A0		