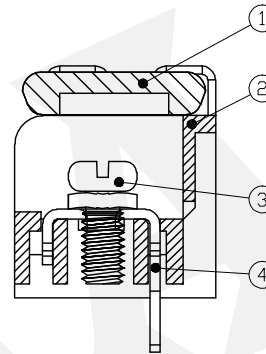
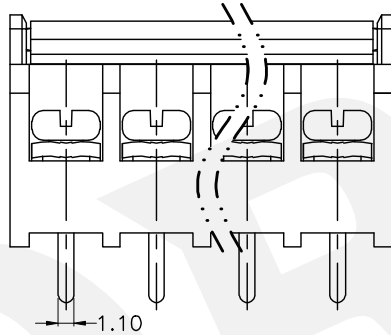
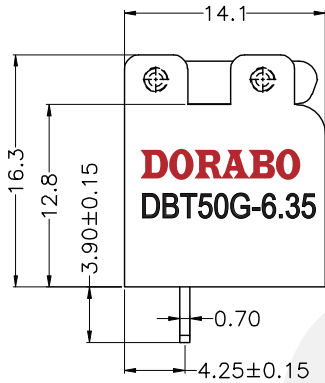
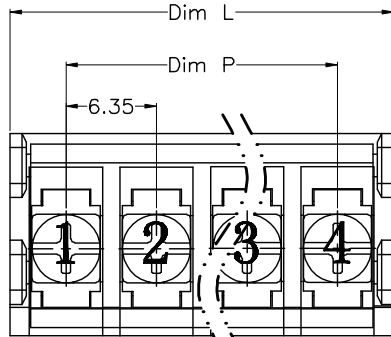


REVISION RECORD				
REV	ECN	DESCRIPTION	DRFT	DATE



NOTES1:

UL Standard

1. Rated voltage/current : 300V / 10A
2. Torque value : M2.5 , 3.54Lb.in
3. Wire range : 22~16AWG

NOTES2:

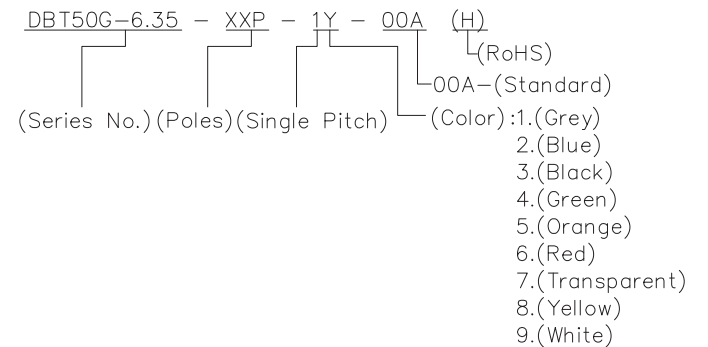
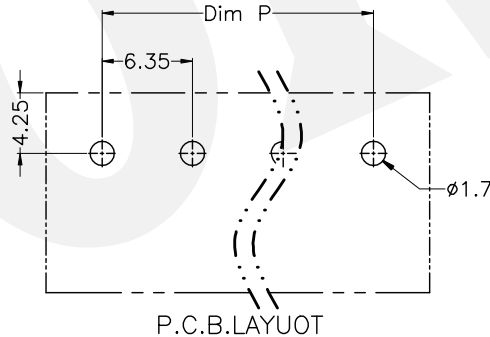
1. Dimension shall be interpreted per ASME Y14.5-2009
2. Pitch : 6.35mm, Poles : N=02~24P
3. Withstanding voltage : AC1600V/1Min
4. Operating temperature: -40°C~+105°C
5. Undimensioned tolerances:

Pitch range in mm		Nominal dimension range in mm					0.1/10												
TO	Over TO	TO	Over TO	TO	Over TO	TO													
6	6 TO 10	10	10 TO 24	30	30 TO 60	60	60 TO 100	100	100 TO 150	150	±0.15	±0.20	±0.30	±0.30	±0.50	±0.70	±1.00	±1.30	±2'

6. RoHS Compliance

N=Number of Poles
 Dim P=(N-1)x6.35
 Dim L=Nx6.35+1.5

Poles	Dim	Dim P	Dim L
2-6P		±0.10	±0.15
7-12P		±0.20	±0.20
13-18P		±0.25	±0.30
19-24P		±0.30	±0.40



DETACHED LISTS	PART NO.: /	DORABO 慈溪市地博电子有限公司 CIXI DORABO ELECTRONICS CO.,LTD		
	APPD: /	NAME: DBT50G-6.35-XXP-1Y-00A(H)		
	CHKD: /	TITLE: CUSTOMER DRAWING		
	DRFT: /	REV	DO	
THIRD ANGLE PROJECTION		DRAWING NO.: /	SHEET	1/1
		MM (INCH)	DO NOT SCALE DRAWING	SCALE