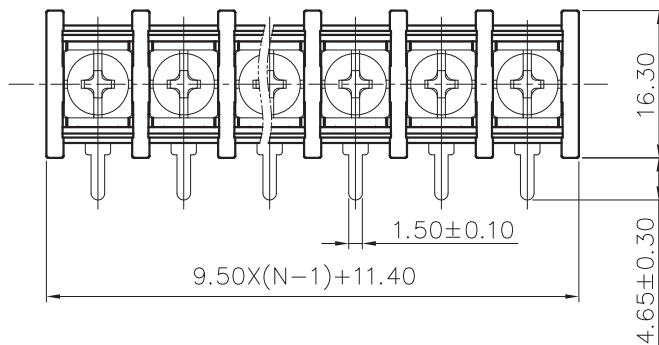


REVISION RECORD				
REV	ECN	DESCRIPTION	DRFT	DATE



NOTES1:

UL Standard

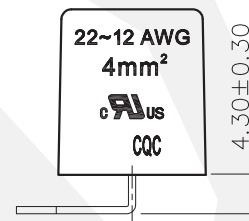
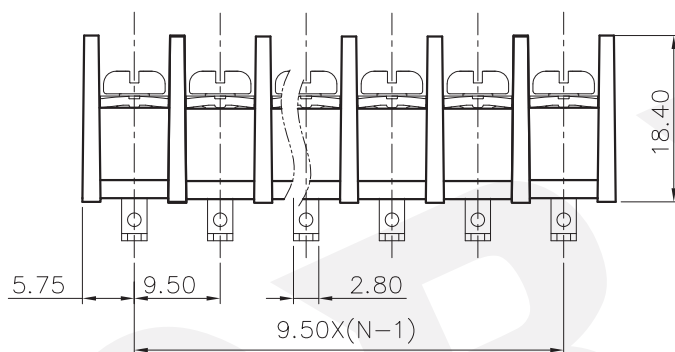
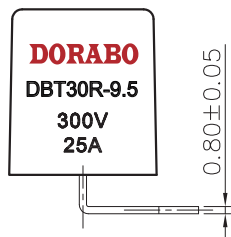
1. Rated voltage/current : 300V / 25A
2. Torque value : M4 , 10.53Lb.in
3. Wire range : 22~12AWG

NOTES2:

1. Dimension shall be interpreted per ASME Y14.5-2009
2. Pitch : 9.50mm, Poles : N=02~24P
3. Withstanding voltage : AC1600V/1Min
4. Operating temperature: -40°C~+105°C
5. Undimensioned tolerances:

Pitch range in mm		Nominal dimension range in mm				0.1/10
TO 6	Over 6 TO 10	Over 10 TO 24	Over 30 TO 60	Over 60 TO 100	Over 100 TO 150	
±0.15	±0.20	±0.30	±0.30	±0.50	±0.70	±1.00
						±1.30
						±2*

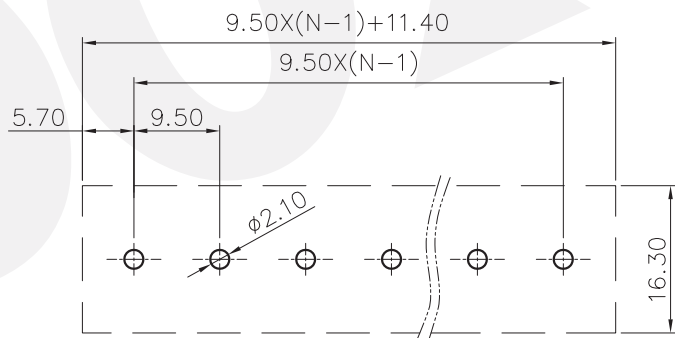
6. RoHS Compliance



DBT30R-9.5 - XXP - 1Y - 00A (H)

(Series No.) (Poles) (Single Pitch) (Color): 1.(Grey)
 2.(Blue)
 3.(Black)
 4.(Green)
 5.(Orange)
 6.(Red)
 7.(Transparent)
 8.(Yellow)
 9.(White)

(RoHS)
 00A-(Standard)



PCB_LAYOUT

DETACHED LISTS	PART NO.:	/			
	APPD:	/			
	CHKD:	/			
	DRFT:	/			
	NAME:		DORABO 慈溪市地博电子有限公司 CIXI DORABO ELECTRONICS CO.,LTD		
	TITLE: CUSTOMER DRAWING				
	DRAWING NO.:		REV		DO
	/		SHEET		1/1
	THIRD ANGLE PROJECTION		SCALE		1:1
	MM (INCH)		DO NOT SCALE DRAWING		SCALE