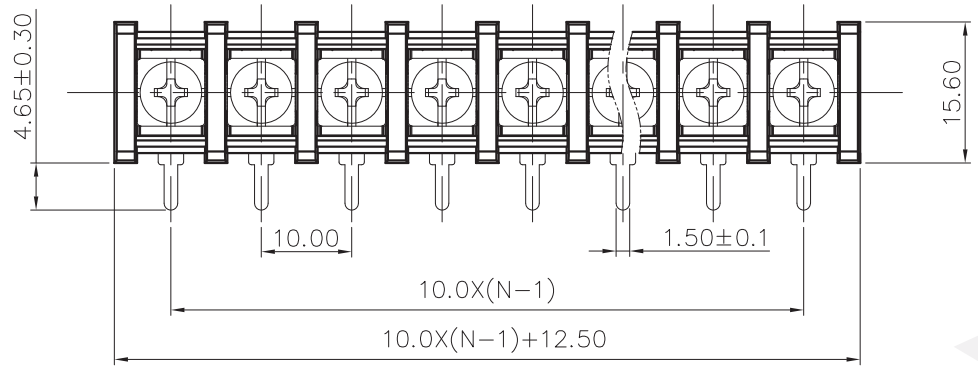


REVISION RECORD				
REV	ECN	DESCRIPTION	DRFT	DATE

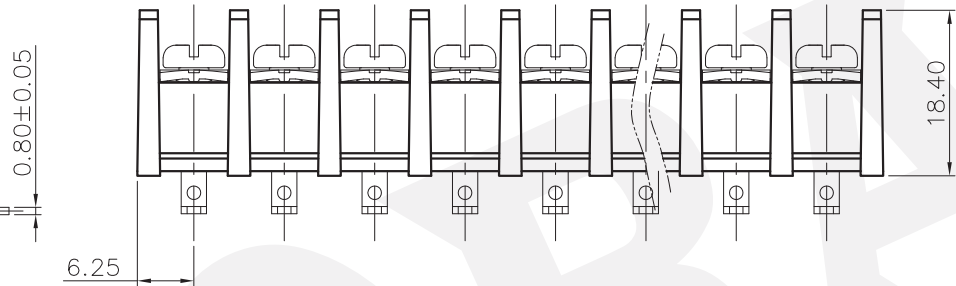


NOTES1:
 UL Standard
 1.Rated voltage/current : 300V / 20A
 2.Torque value : M4 , 10.53Lb.in
 3.Wire range : 22~12AWG

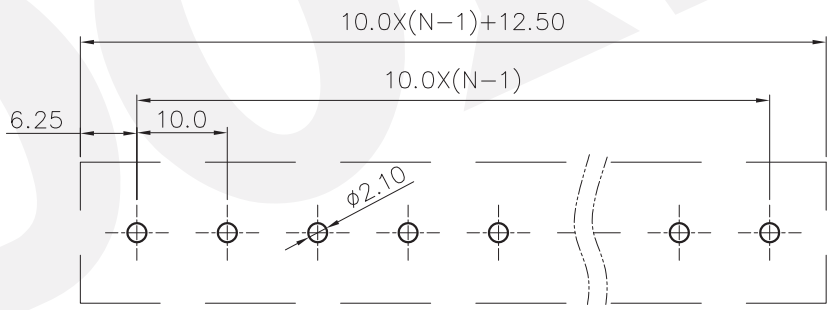
NOTES2:
 1.Dimension shall be interpreted per ASME Y14.5-2009
 2.Pitch : 10.0mm, Poles : N=02~24P
 3.Withstanding voltage : AC1600V/1Min
 4.Operating temperature: -40°C~+105°C
 5.Undimensioned tolerances:

Pitch range in mm		Nominal dimension range in mm				0.1/10	
TO	Over	TO	Over	TO	Over	±2°	
6	10	10	24	30	60		
±0.15	±0.20	±0.30	±0.30	±0.50	±0.70	±1.00	±1.30

6.RoHS Compliance



DBT30R-10.0 - XXP - 1Y - 00A (H)
 (Series No.) (Poles) (Single Pitch) (Color): 1.(Grey)
 2.(Blue)
 3.(Black)
 4.(Green)
 5.(Orange)
 6.(Red)
 7.(Transparent)
 8.(Yellow)
 9.(White)



PCB LAYOUT

DETACHED LISTS	PART NO.:	/		
	APPD:	/		
	CHKD:	/		
	DRFT:	/		
	THIRD ANGLE PROJECTION			
NAME:		DORABO 慈溪市地博电子有限公司 CIXI DORABO ELECTRONICS CO.,LTD		
TITLE:		CUSTOMER DRAWING		
DRAWING NO.:		/		
DO NOT SCALE DRAWING		REV	DO	
MM (INCH)		SHEET	1/1	
SCALE		1:1		