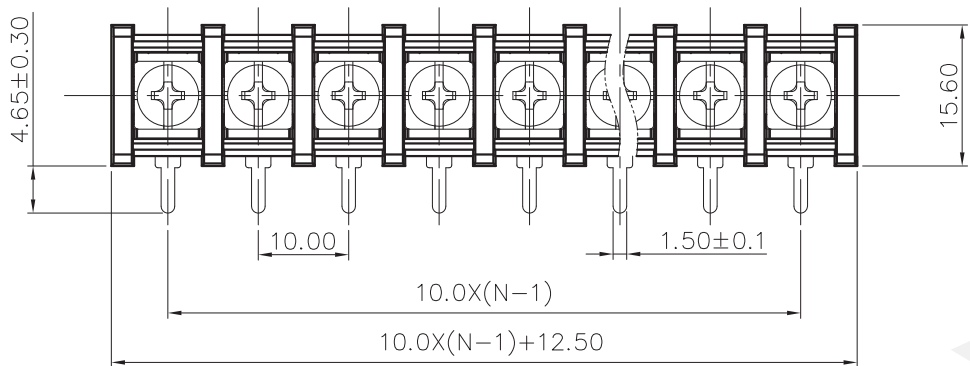


REVISION RECORD				
REV	ECN	DESCRIPTION	DRFT	DATE



NOTES1:

- UL Standard
- 1.Rated voltage/current : 300V / 20A
- 2.Torque value : M4 , 10.53Lb.in
- 3.Wire range : 22~12AWG

NOTES2:

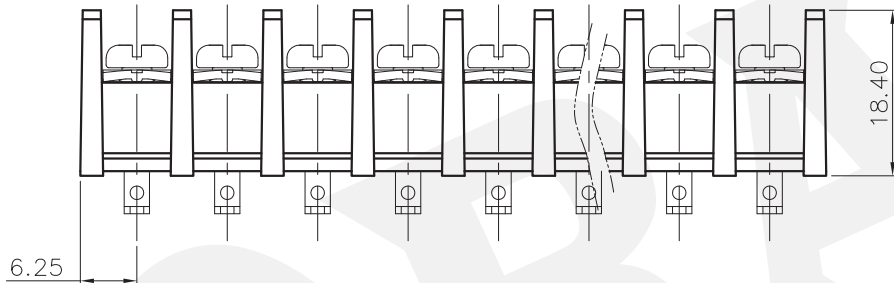
- 1.Dimension shall be interpreted per ASME Y14.5-2009
- 2.Pitch : 10.0mm, Poles : N=02~24P
- 3.Withstanding voltage : AC1600V/1Min
- 4.Operating temperature: -40°C~+105°C
- 5.Undimensioned tolerances:

Pitch range in mm		Nominal dimension range in mm				0.1/10		
TO	Over	TO	Over	TO	Over			
6	10	10	24	30	60	100	150	±2°
±0.15	±0.20	±0.30	±0.30	±0.50	±0.70	±1.00	±1.30	±2°

6.RoHS Compliance

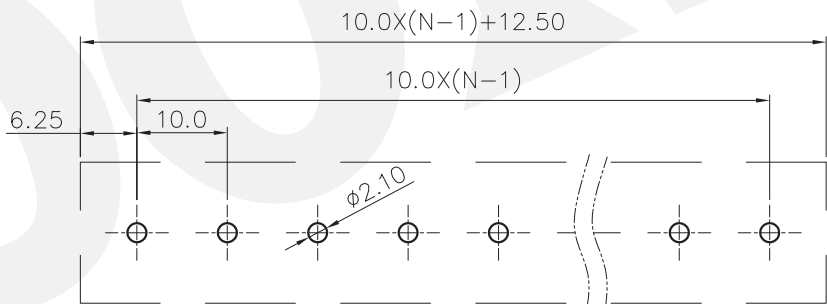


0.80±0.05



4.20±0.30

DBT30R-10.0 - XXP - 1Y - 00A (H)
 (Series No.) (Poles) (Single Pitch) (Color): 1.(Grey) 2.(Blue) 3.(Black) 4.(Green) 5.(Orange) 6.(Red) 7.(Transparent) 8.(Yellow) 9.(White)
 (RoHS) 00A-(Standard)



PCB LAYOUT

DETACHED LISTS	PART NO.:	DORABO 慈溪市地博电子有限公司 CIXI DORABO ELECTRONICS CO.,LTD			
	APPD:	NAME: DBT30R-10.0-XXP-1Y-00A(H)			
	CHKD:	TITLE: CUSTOMER DRAWING		REV	DO
	DRFT:	DRAWING NO.:		SHEET	1/1
THIRD ANGLE PROJECTION		MM (INCH)	DO NOT SCALE DRAWING	SCALE	1:1