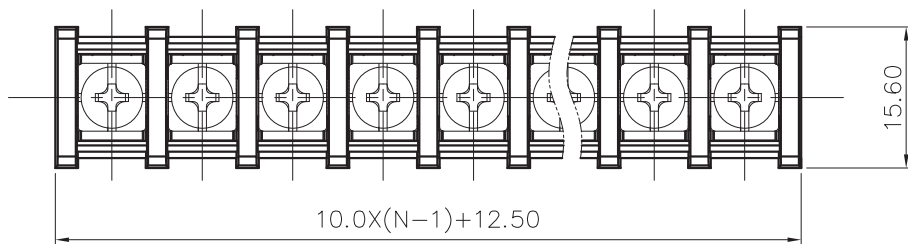


REVISION RECORD				
REV	ECN	DESCRIPTION	DRFT	DATE



NOTES1:

- UL Standard
- 1.Rated voltage/current : 300V / 20A
- 2.Torque value : M4 , 10.53Lb.in
- 3.Wire range : 22~12AWG

NOTES2:

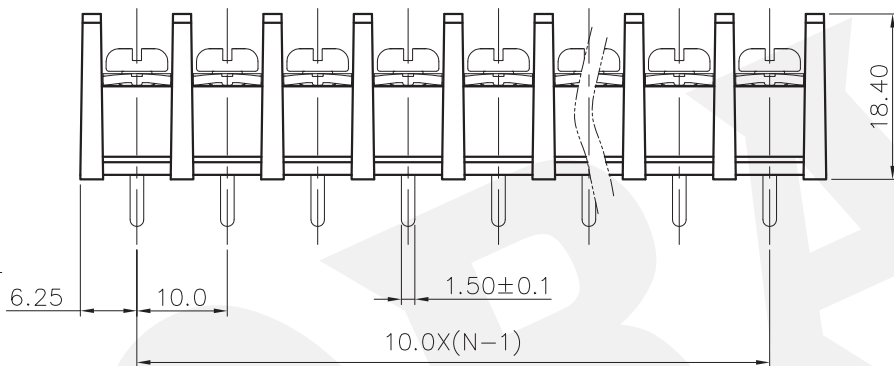
- 1.Dimension shall be interpreted per ASME Y14.5-2009
- 2.Pitch : 10.0mm, Poles : N=02~24P
- 3.Withstanding voltage : AC1600V/1Min
- 4.Operating temperature: -40°C~+105°C
- 5.Undimensioned tolerances:

Pitch range in mm		Nominal dimension range in mm				0.1/10										
TO	Over	TO	Over	TO	Over											
6	10	10	24	30	60	100	150	±0.15	±0.20	±0.30	±0.30	±0.50	±0.70	±1.00	±1.30	±2°

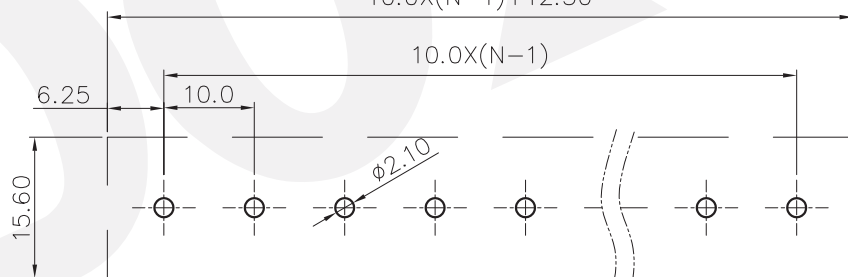
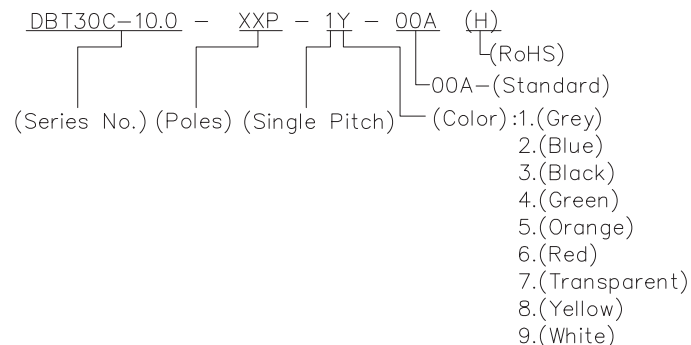
6.RoHS Compliance



0.80±0.05



5.20±0.3



PCB LAYOUT

DETACHED LISTS	PART NO.:	/				
	APPD:	/				
	CHKD:	/				
	DRFT:	/				
	NAME:		DORABO 慈溪市地博电子有限公司 CIXI DORABO ELECTRONICS CO.,LTD			
	TITLE:		CUSTOMER DRAWING			
	DRAWING NO.:		/		REV	DO
	THIRD ANGLE PROJECTION		MM (INCH)		SHEET	1/1
	DO NOT SCALE DRAWING		SCALE		1:1	