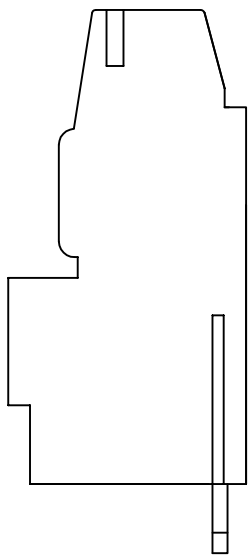
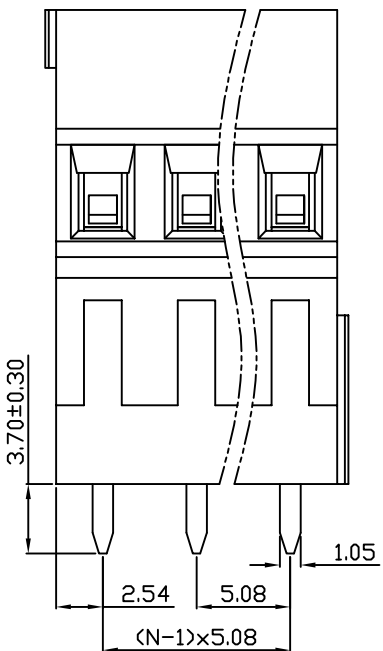
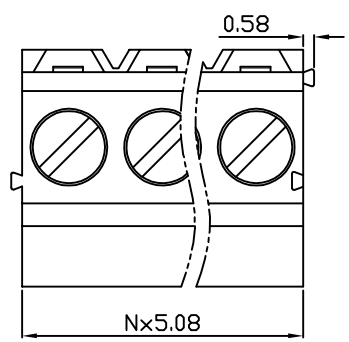
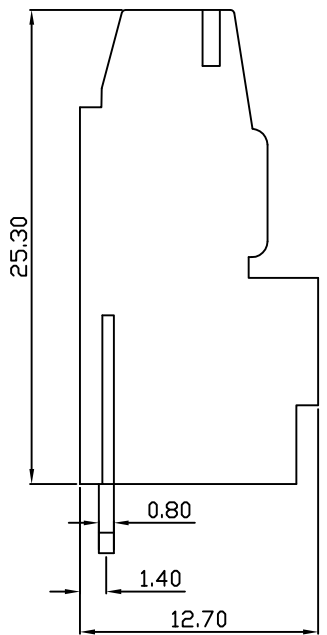
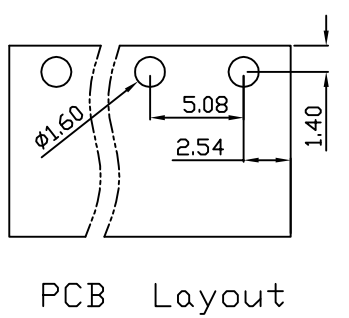


linear dimension(Tolerances Standard GB/T 14486-2008)								—	∇	\perp
variable range	to 6	over 6 to 10	over 10 to 30	over 30 to 60	over 60 to 100	over 100 to 160	over 160 to	to 10	over 10 to 100	over 100 to
tolerance	±0.20	±0.30	±0.50	±0.70	±1.00	±1.30	±1.60	0.10	0.30	0.60



UL/CUL 技术参数	UL/CUL Technical Data			UL US		
等级 Use Group	B	C	D			
额定电压 Rated Voltage [V]	300	-	300			
额定电流 Rated Current [A]	16	-	10			
接线范围 Wire Range	22-12					
单/多芯线 Solid/Stranded [AWG]						
耐电压 Withstanding Voltage	1600V/1Min					
IEC 技术参数	IEC Technical Data			D'E		
过电压类别 Overvoltage Category	III	III	II			
污染等级 Contamination Class	3	2	2			
额定电压 Rated Voltage [V]	250	400	630			
额定电流 Rated Current [A]	24	24	24			
额定冲击电压 Impulse withstand voltagea [KV]	4	4	4			
导线截面积 Conductor cross section	2.5					
硬质/柔性导线 Solid/flexible [mm ²]						
材料 Material						
绝缘材料 Insulation Material	PA66					
阻燃等级 Inflammability	UL94V-0					
导体材料 Contactor Material	铜合金 Copper alloy					
导体表面镀层 Contactive Coating	镀锡 Sn Plated					
一般参数 Other Data						
间距 Pitch [mm]	5.08					
极数 Poles [P]	02-24					
剥线长度 Stripping Length [mm]	6-7					
螺丝 Screw/扭矩 Torque(Max) [N.m]	M2.5/0.4					
工作温度 Operating temperatur [°C]	-40~+105					
引针尺寸 Pin Dimensions [mm]	0.80x1.05					
PCB板孔径 PCB Hole Diameter [mm]	1.60					

DB128H — 5.08 — XXP — C — S/P

(Series No.) (Pitch) (Poles) Slotted/Phillips

(Color) : 1.(Green) 2.(Black) 3.(Blue) 4.(Clear) 5.(Gray) 6.(Orange) 7.(Red) 8.(White) 9.(Yellow)

DORABO

宁波地博电气有限公司
Ningbo Dorabo Electric CO., Ltd

NAME:	DB128H-5.08-XXP-C-S			
SIZE: A4	mm (inch)	REV	TO-1	
TYPE: CUSTOMER_DRAWING	SCALE: 1:1	SHEET	1/1	

APPD: J.Ting Chen	2022.4.6
CHKD: Duck Mao	2022.4.6
DRFT: Steven Lu	2022.4.6