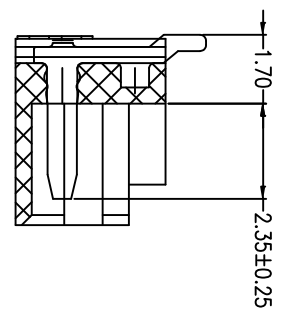
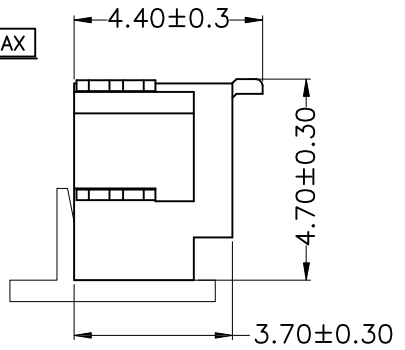
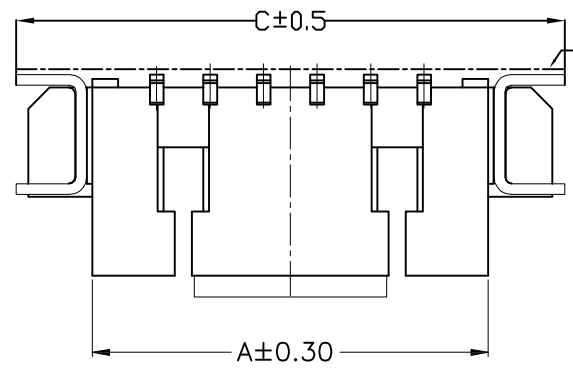
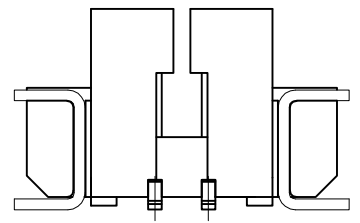
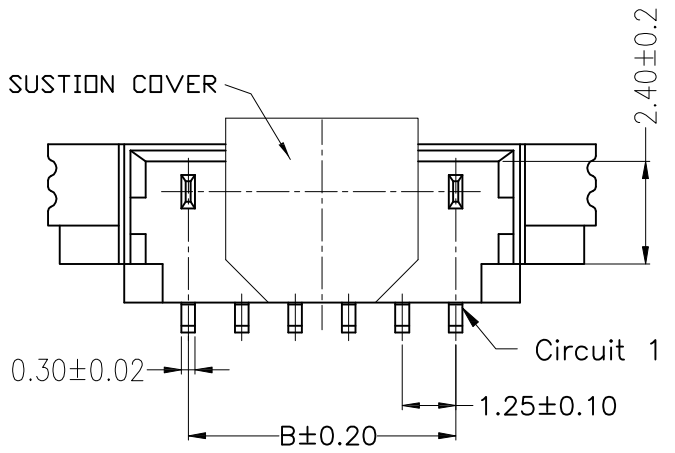


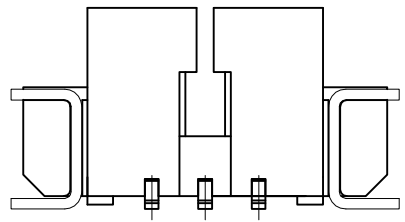
REV.	ECN NO.	DESCRIPTION	DATE	DESIGN



Specifications:  
 Current rating:1A AC/DC.  
 Voltage rating:125V AC/DC  
 Temperature range:-40°C~+105°C.  
 Contact resistance:20MΩ Max.  
 Insulation resistance:100MΩ Min.  
 Withstanding voltage: 500V AC/minute.  
 Material:LCP.UL94V-0.

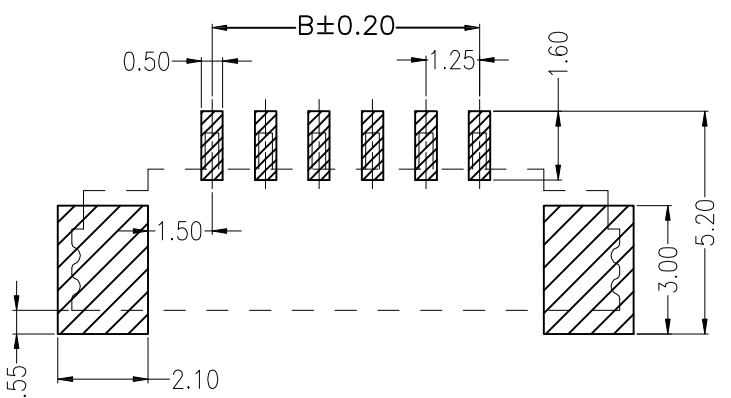


2PIN 图示



3PIN 图示

PART NO.	Dimensions		
	A	B	C
A1251WV-S-02P	4.25	1.25	7.75
A1251WV-S-03P	5.50	2.50	9.00
A1251WV-S-04P	6.75	3.75	10.25
A1251WV-S-05P	8.00	5.00	11.50
A1251WV-S-06P	9.25	6.25	12.75
A1251WV-S-07P	10.50	7.50	14.00
A1251WV-S-08P	11.75	8.75	15.25
A1251WV-S-09P	13.00	10.00	16.50
A1251WV-S-10P	14.25	11.25	17.75
A1251WV-S-11P	15.50	12.50	19.00
A1251WV-S-12P	16.75	13.75	20.25
A1251WV-S-13P	18.00	15.00	21.50
A1251WV-S-14P	19.25	16.25	22.75
A1251WV-S-15P	20.50	17.50	24.00



P.C.B LAYOUT

DIM	TOL	DIM	TOL
X	/	X*	/
X.X	0.25	X.X*	/
X.XX	0.15	X.XX*	/
X.XXX	0.10	X.XXX*	/

**CNJM** Joint More Precision electronics Co.,Ltd.

DRAW NO.	DATE	P/N NO.	DRAW NAME:
DESIGN: 陈雪峰	2017.06.03	A1251WV-S-NP	1.25mm pitch wafer
CHECK: 杨焯			
REVIEW:		REV. A/1	SCALE 1:1
		UNIT: mm	SHEET: 1 OF 1