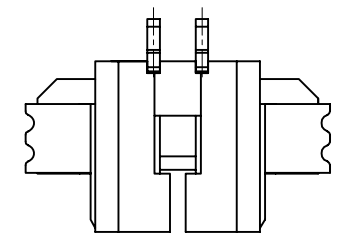
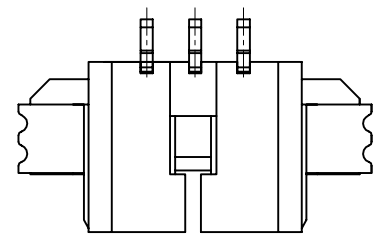
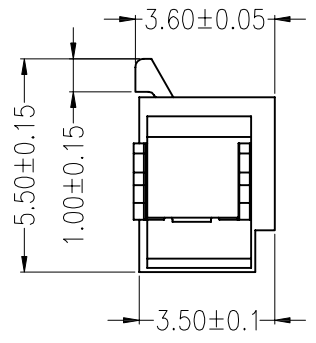
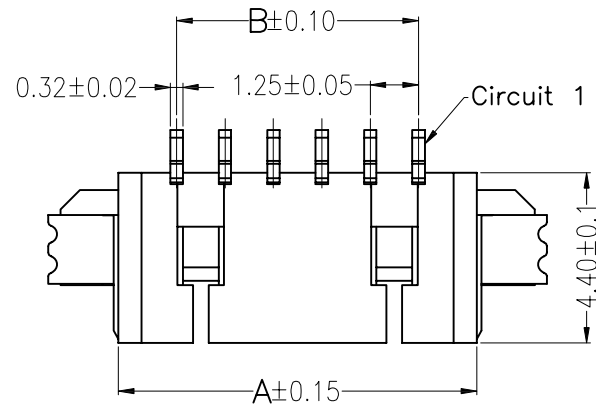
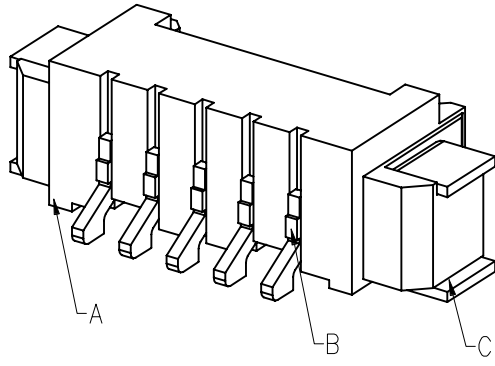
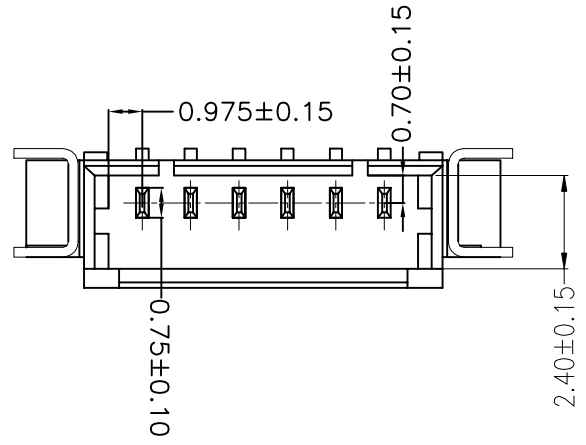


REV.	ECN NO.	DESCRIPTION	DATE	DESIGN
A				

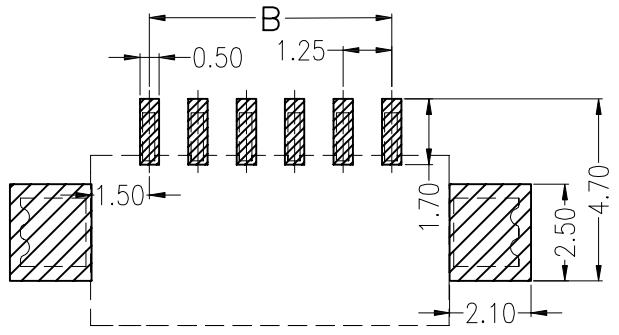


3PIN 图示

2PIN 图示



PART NO.	Dimensions	
	A	B
A1251WR-S-02P	4.25	1.25
A1251WR-S-03P	5.50	2.50
A1251WR-S-04P	6.75	3.75
A1251WR-S-05P	8.00	5.00
A1251WR-S-06P	9.25	6.25
A1251WR-S-07P	10.50	7.50
A1251WR-S-08P	11.75	8.75
A1251WR-S-09P	13.00	10.00
A1251WR-S-10P	14.25	11.25
A1251WR-S-11P	15.50	12.50
A1251WR-S-12P	16.75	13.75
A1251WR-S-13P	18.00	15.00
A1251WR-S-14P	19.25	16.25
A1251WR-S-15P	20.50	17.50



P.C.B LAYOUT

Specifications:  
 Current rating:1A AC/DC.  
 Voltage rating:125V AC/DC  
 Temperature range:-40°C~+105°C.  
 Contact resistance:20MΩ Max.  
 Insulation resistance:100MΩ Min.  
 Withstanding voltage: 500V AC/minute.  
 Material:LCP.Ul94V-0.

**CNJM** Joint More Precision electronics Co.,Ltd.

DRAW NO.		DATE	P/N NO:	DRAW NAME:
DESIGN:	陈雪峰	2017.06.03	A1251WR-S-NP	1.25mm pitch wafer
CHECK:	杨焯			
REVIEW:			REV. A/1	SCALE 1:1
			UNIT: mm	SHEET 1 OF 1

DIM	TOL	DIM	TOL
X.	/	X*	/
X.X	0.25	X.X*	
X.XX	0.15	X.XX*	
X.XXX	0.10	X.XXX*	/