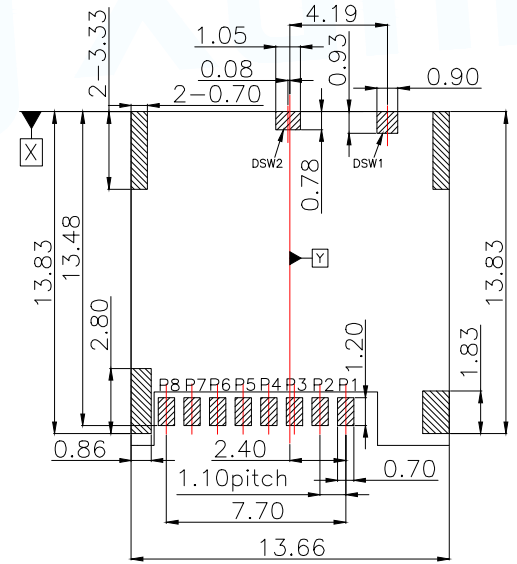
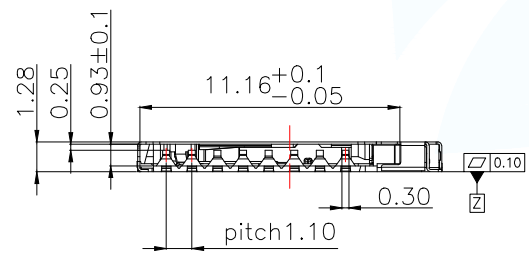
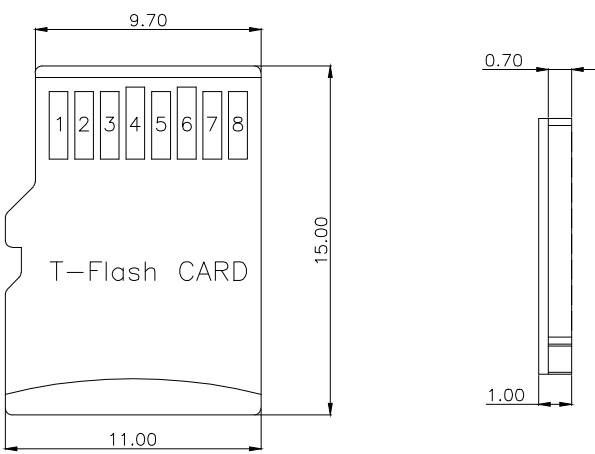


Specification

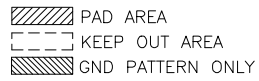
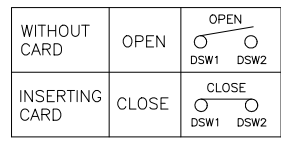
- MATERIAL:
 - Insulator: High Temperature Thermoplastic, LCP SZ6505HF black UL94V-0.
 - Terminal: Phosphor Bronze (C5210-H, T=0.15mm)
 - Shell: SUS301-3/4H T=0.10mm
 - Spring: SUS301 L=9.80mm
 - Slider: PPA black
 - Drawbar: SUS304-H, L=3.85mm
- Plating:
 - Terminal: Plated 80u"min Ni Overall
Plated 1u"min Au Selective contact area
Plated 1u"min AU over Ni on solder area
 - Shell: Plated 1u"min AU overall 50u"min Ni
- Property:
 - Current Rating :0.5A AC/DC max.
 - Voltage Rating :12V AC/DC
 - Ambient Temperature Range :-20°C~+60°C
 - Ambient Humidity Range :95% R.H. Max.
 - Contact Resistance:100mΩ max.
 - Insulation Resistance:1000MΩ min./500VDC
 - Durability:5000 cycles



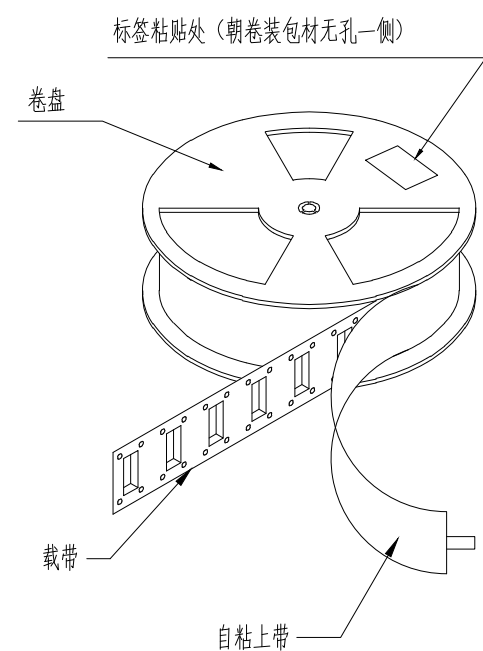
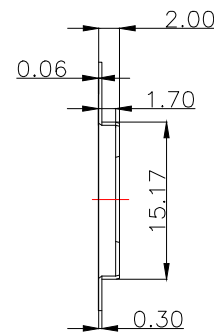
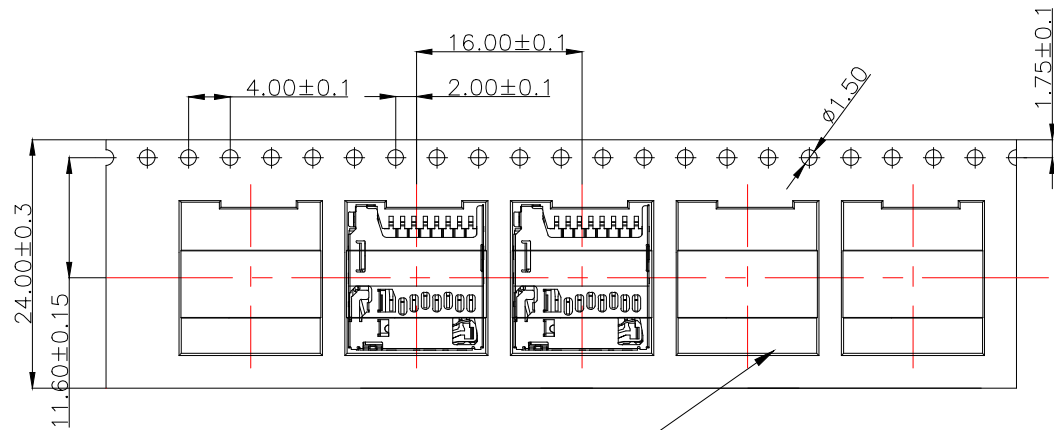
PIN NO.	NAME	TYPE	DESCRIPTION
1	DAT2	I/O/PP	DATE LINE(BIT2)
2	CD/DAT3	I/O/PP	CARD DETECT DATE LIN(BIT3)
3	CMD	PP	COMMAND RESPONSE
4	VDD	S	SUPPLY VOLTAGE
5	CLK	I	CLOCK
6	VSS	S	SUPPLY VOLTAGE GROUND
7	DATO	I/O/PP	DATE LINE(BIT0)
8	DAT1	I/O/PP	DATE LINE(DIT1)



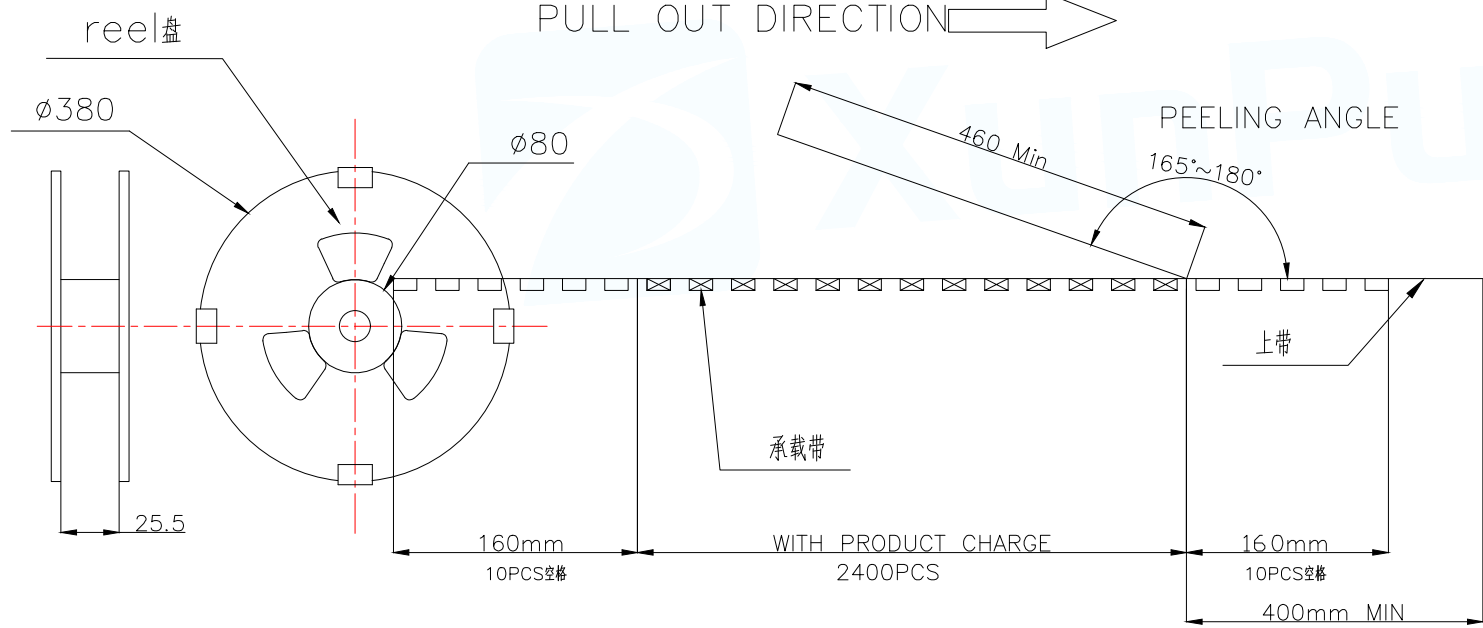
Circuit Diagram for Detect Switch



MANUFACTURE DWG				
UNLESS OTHERWISE SPECIFIED TOLERANCES			TITLE: Micro SD push push 1.28H	
DECIMALS:	ANGLES:		PAR	TF-108-ARP10
.X:±0.35	X.°:±2'		DWN	
.XX:±0.20	X.X°:±1'		CHKD	
.XXX:±0.10	X.XX°:±0.5'		APVD	
CUSTOMER COPY		SCALE:1:1	UNIT:MM	REV:A
		SIZE:A4	SHEET:1F1	



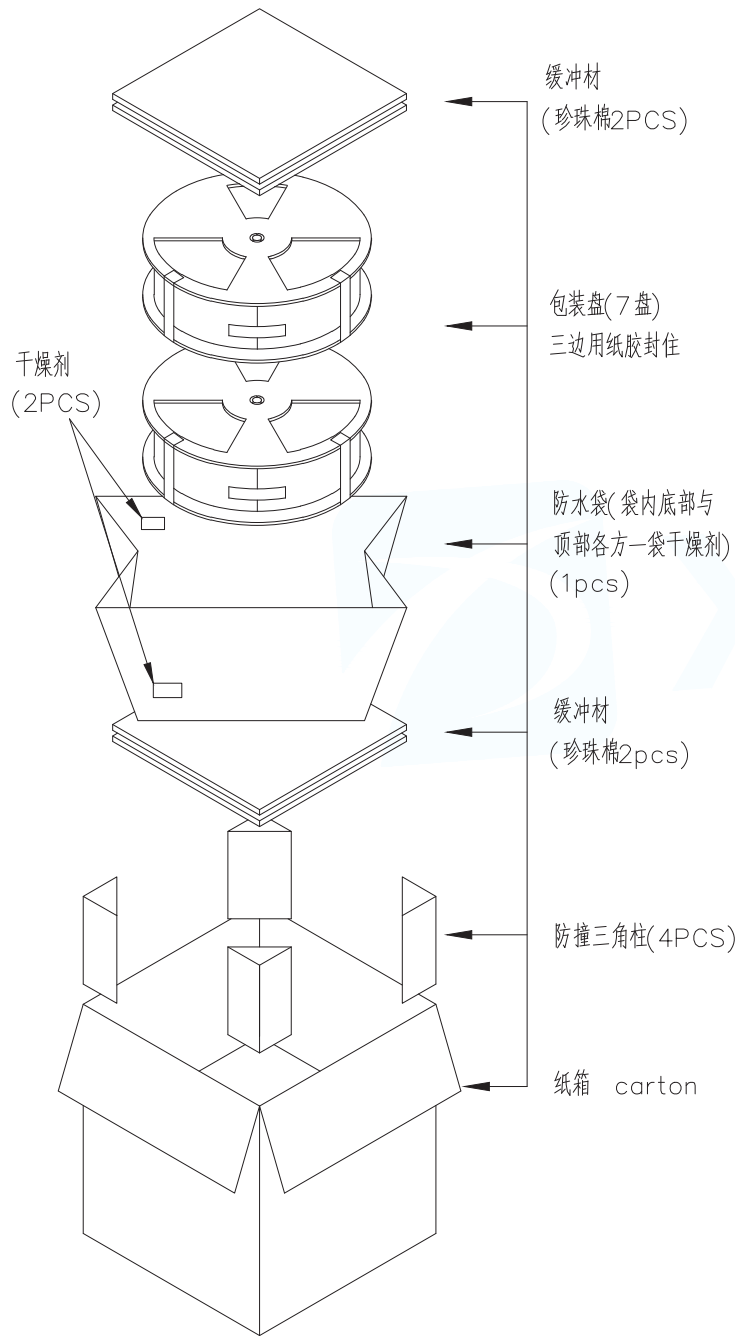
产品放置方向
PULL OUT DIRECTION



PACKING INFORMATION

PART NAME	Micro SD H1.28 CARD包装规范
QUANTITY OF PER TRAY	2400PCS/TRAY
QUANTITY OF PER CARTON	7*2400=16800PCS/CARTON

MANUFACTURE DWG			东莞市讯普电子科技有限公司 DongGuan XunPu Electronics Co.,Ltd	
UNLESS OTHERWISE SPECIFIED TOLERANCES			TITLE: Micro SD push push 1.28H	
DECIMALS:	ANGLES:		PAR	TF-108-ARP10
.X:±0.35	X.°:±2'		DWN	
.XX:±0.20	X.X':±1"	CHKD		
.XXX:±0.10	X.XX':±0.5'	APVD		
CUSTOMER COPY		SCALE:1:1	UNIT:MM	
		SIZE:A4	SHEET:1F1	REV:A



10	干燥剂	2PCS
9	三角压线条	4PCS
8	珍珠棉	4PCS
7	纸箱	1PCS
6	保护带	7PCS
5	自粘上带	38.72M*7
4	卷盘	7PCS
3	PE防水袋	1PCS
2	载带	7pcs
1	Micro SD H1.28 CARD	16800PCS

备注:

1. 每卷载带前后各留 10 个空格不使用.
2. 每卷载带包装2400PCS产品.
3. 以自粘上带覆盖经包装机冷封包装.
4. 以保护带覆盖于外圈再以胶带固定并粘贴卷盘标签.
5. 将7卷包装好的产品放入PE防水袋,
防水袋的上下各放置 2PCS珍珠棉,以胶带固定PE防水袋.
6. 将包装好的7卷产品放入纸箱,四周用三角压线条固定;
外箱用胶带呈“工”字形封口.
7. 外箱标签的贴法请参照客户资料.

MANUFACTURE DWG		 东莞市讯普电子科技有限公司 DongGuan XunPu Electronics Co.,Ltd	
UNLESS OTHERWISE SPECIFIED TOLERANCES			TITLE: Micro SD push push 1.28H
			PAR TF-108-ARP10
			DWN
			CHKD
			APVD
DECIMALS: .X: ±0.25 .XX: ±0.15 .XXX: ±0.05	ANGLES: X.: ±2° X.X: ±1° X.XX: ±0.5°	SCALE: 1:1	UNIT: MM
		CUSTOMER COPY	SIZE: A4
		SHEET: 1F1	
		REV: A	