

4

3

2

1

THIS DRAWING IS UNPUBLISHED.

RELEASED FOR PUBLICATION

20

© COPYRIGHT 20

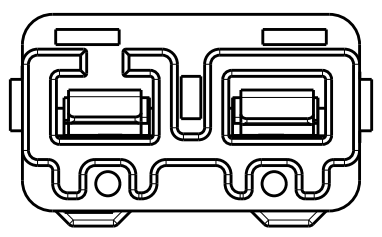
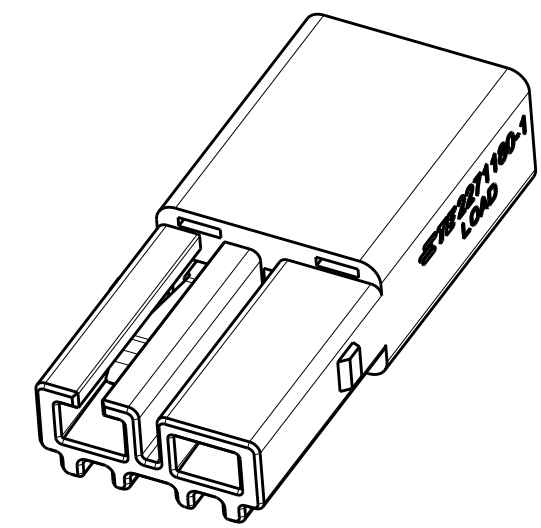
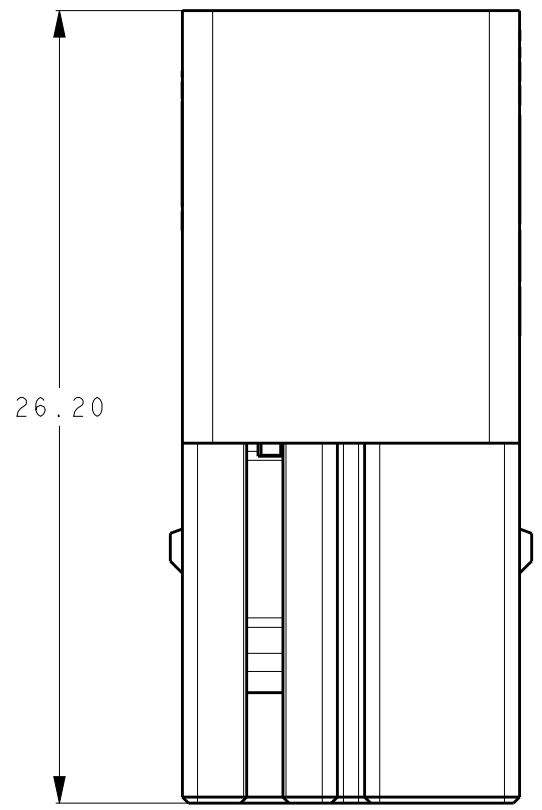
ALL RIGHTS RESERVED.

LOC  
ES

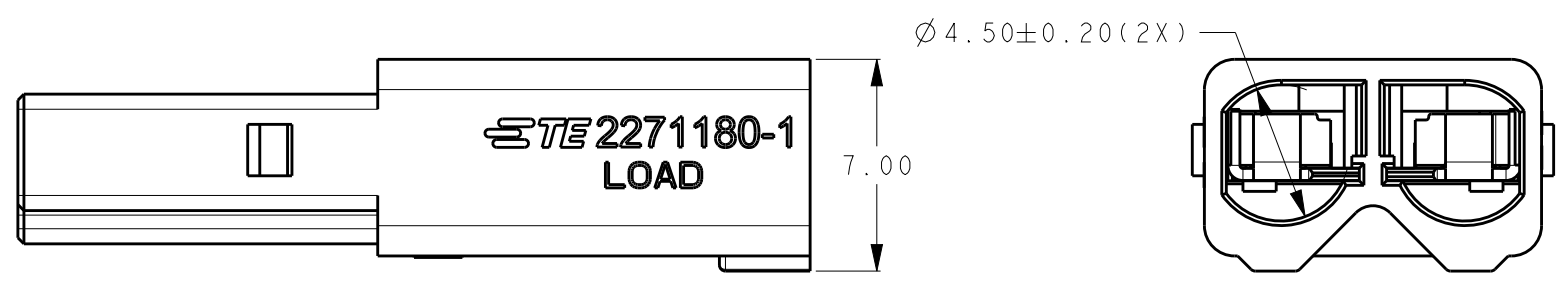
DIST

REVISIONS

P	LTR	DESCRIPTION	DATE	DWN	APVD
	C	ECR-18-020006	03APR2019	M.S	M.S
	D	ECR-19-010701	16AUG2019	M.S	M.S
	D1	ECR-19-013399	26DEC2019	F.F	M.S
	D2	ECO-20-009837	14JULY2020	W.Z	M.S



SCALE 4:1



PART NUMBER	PART COLOR
2271180-1	ORANGE
2271180-2	BLACK
2271180-3	WHITE (NATURAL)

NOTES:

- 1. TE PART NUMBER: SEE TABLE.
- 2. MATERIAL: NYLON, UL 94-V0. COLOR: ORANGE.
- 3. FINISH: TIN PLATING OVERALL.
- 4. APPLICABLE MATING RECEPTACLE: 2271183 SERIES.
- 5. APPLICABLE WIRE: AWG18-22 SOLID OR TIN DIPPED STRANDED. (16 STRANDS MAX. FOR 18 AWG, 7 STRANDS MAX FOR 20-22 AWG. SEE RELATED APPLICATION SPECIFICATION AND PRODUCT SPECIFICATION) STRIP LENGTH: 9.0-9.6mm.
- 6. PRODUCT COMPLIES TO UL 2459 REQUIREMENT AND QUALIFIED: ZMNA.E308110 ; ZMNA7.E308110

THIS DRAWING IS A CONTROLLED DOCUMENT.		DWN	26DEC2019	<b>STE</b> TE Connectivity
		CHK	FRANK FAN	
		APVD	26DEC2019	
			GEORGE FU	
		APVD	26DEC2019	NAME
			MING SHI	PLUG
		PRODUCT SPEC	108-137020	2 PIN WIRE TO WIRE CONNECTOR
		APPLICATION SPEC	114-137020	
		WEIGHT	1.74g	SIZE
				CAGE CODE
				DRAWING NO
				RESTRICTED TO
				A300779
				C-2271180
				SCALE 4:1
				SHEET 1 OF 3
				REV D2

THIS DRAWING IS UNPUBLISHED.

RELEASED FOR PUBLICATION

20

© COPYRIGHT 20

ALL RIGHTS RESERVED.

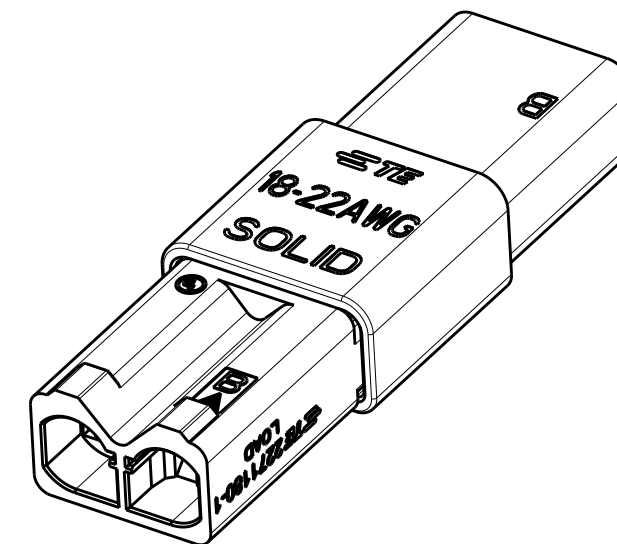
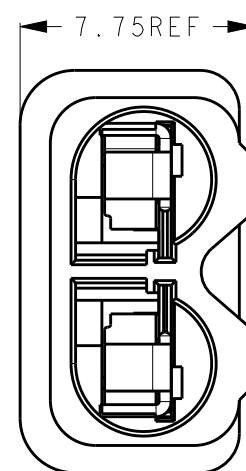
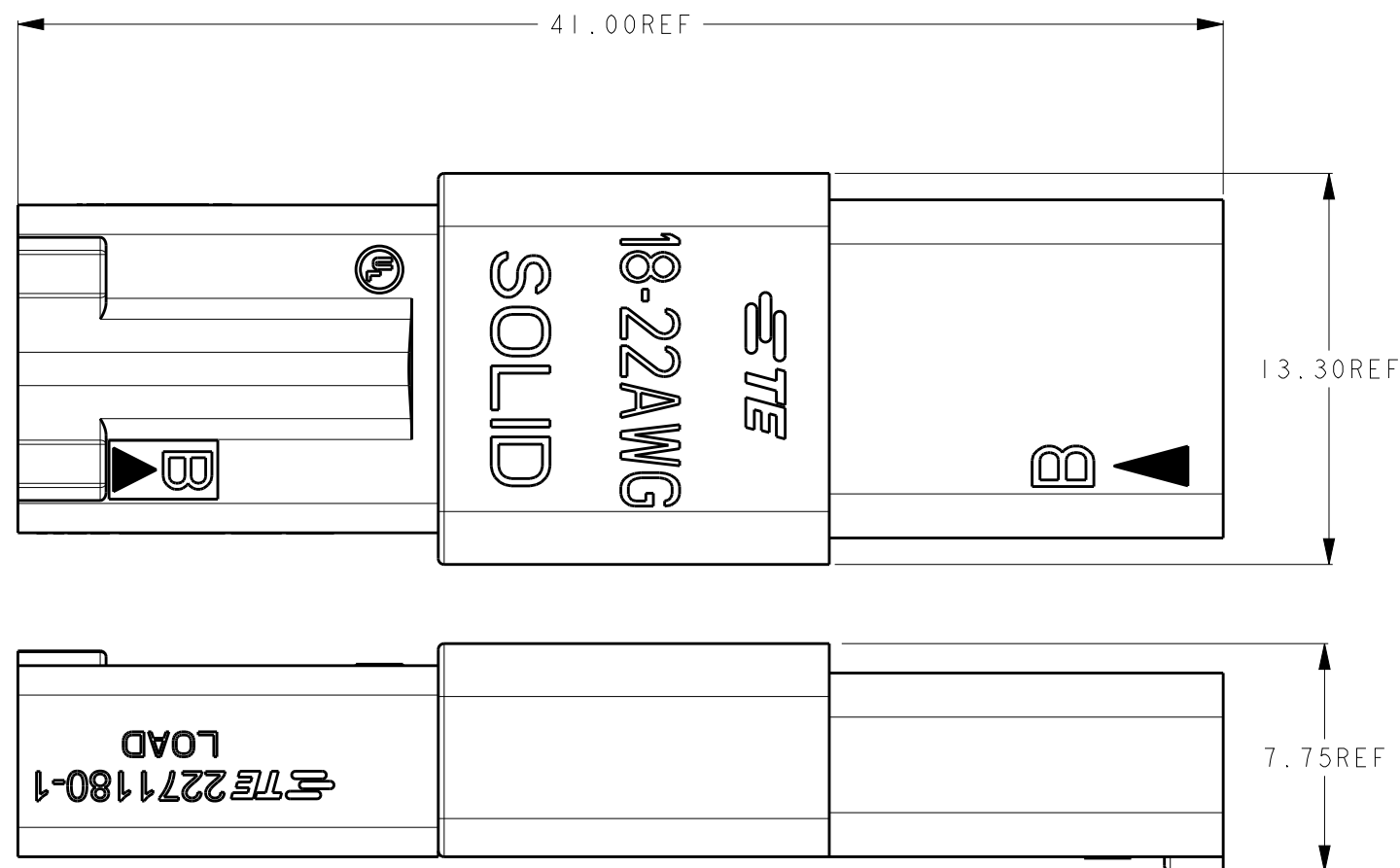
LOC  
ES

DIST

REVISIONS

P	LTR	DESCRIPTION	DATE	DWN	APVD

MATED WITH RECEPTACLE



THIS DRAWING IS A CONTROLLED DOCUMENT.

DIMENSIONS:  
mm



TOLERANCES UNLESS OTHERWISE SPECIFIED:  
± 0.50

- 0-PLC ±
- 1-PLC ±
- 2-PLC ±
- 3-PLC ±
- 4-PLC ±
- ANGLES ±5°

MATERIAL

FINISH

DWN 26DEC2019  
FRANK FAN  
CHK 26DEC2019  
GEORGE FU  
APVD 26DEC2019  
MING SHI

PRODUCT SPEC -  
APPLICATION SPEC -  
WEIGHT -

CUSTOMER DRAWING

**STE** TE Connectivity

PLUG  
2 PIN WIRE TO WIRE CONNECTOR

NAME	SIZE	CAGE CODE	DRAWING NO	RESTRICTED TO
	A3	00779	C-2271180	-

SCALE 4:1 SHEET 2 OF 3 REV D2

THIS DRAWING IS UNPUBLISHED.

RELEASED FOR PUBLICATION

20

© COPYRIGHT 20

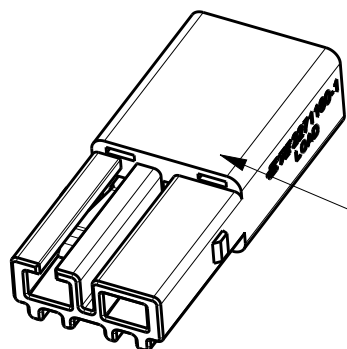
ALL RIGHTS RESERVED.

LOC  
ES

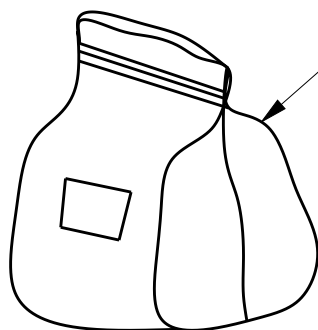
DIST

REVISIONS

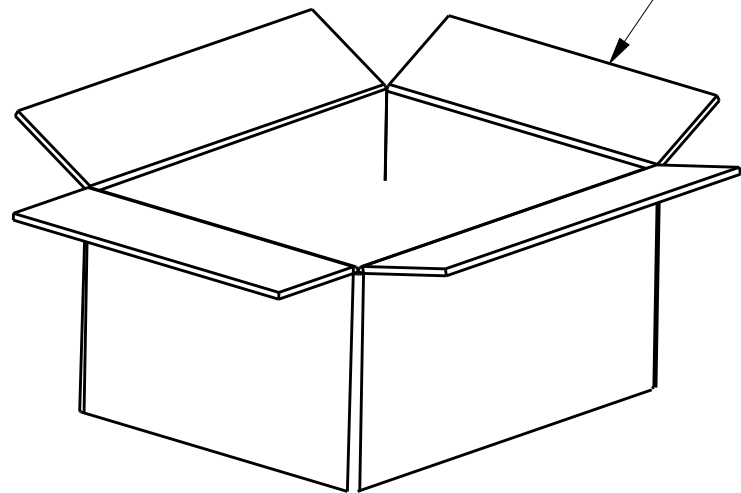
P	LTR	DESCRIPTION	DATE	DWN	APVD



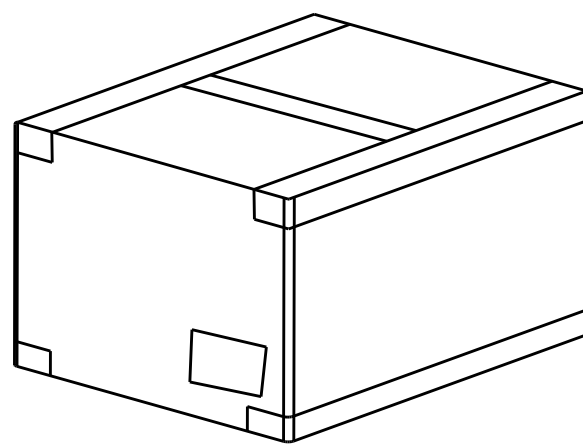
2271180-X



PLASTIC BAG



CARTON



NOTE:  
1. PACKAGING QUANTITY: SEE TABLE.

PARTS PER BAG	BAGS PER CARTON	PARTS PER CARTON
500 PCS	8	4000 PCS

THIS DRAWING IS A CONTROLLED DOCUMENT.

DIMENSIONS: mm	TOLERANCES UNLESS OTHERWISE SPECIFIED: 0 PLC ± 1 PLC ±10 2 PLC ±5.0 3 PLC ± 4 PLC ± ANGLES ±5°
MATERIAL	FINISH

DWN	26DEC2019
FRANK FAN	
CHK	26DEC2019
GEORGE FU	
APVD	26DEC2019
MING SHI	
PRODUCT SPEC	-
APPLICATION SPEC	-
WEIGHT	-
CUSTOMER DRAWING	

**STE** TE Connectivity

NAME PLUG 2 PIN WIRE TO WIRE CONNECTOR			
SIZE	CAGE CODE	DRAWING NO	RESTRICTED TO
A300779	C	2271180	-
SCALE	SHEET	OF	REV
4:1	3	3	D2