

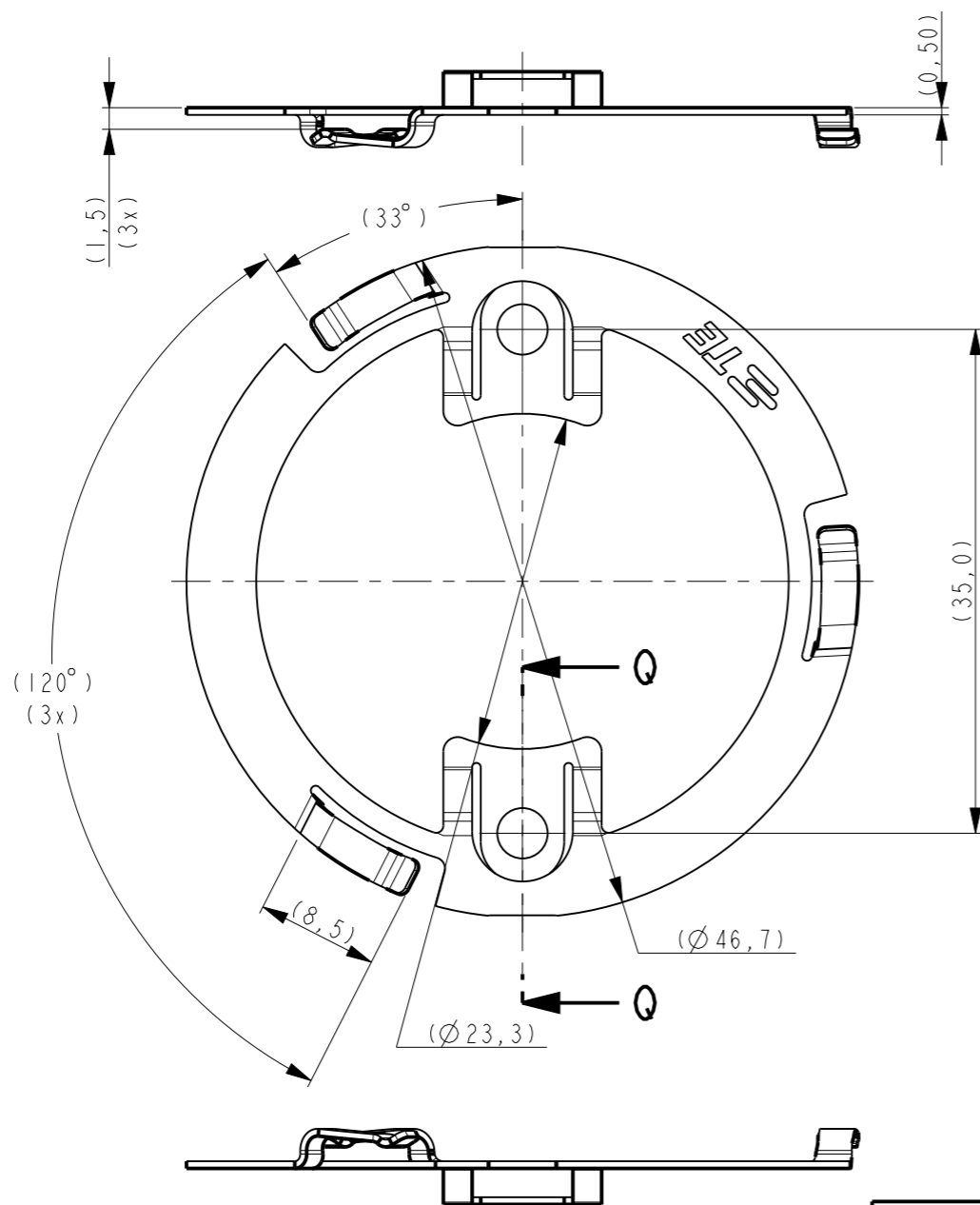
THIS DRAWING IS UNPUBLISHED. RELEASED FOR PUBLICATION

© COPYRIGHT - BY TYCO ELECTRONICS CORPORATION. ALL RIGHTS RESERVED.

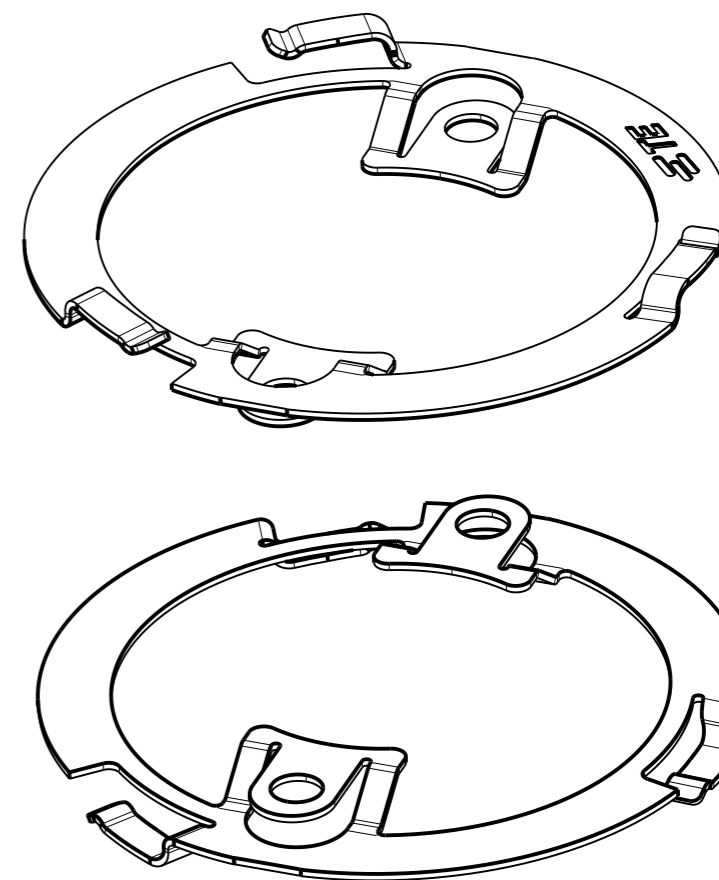
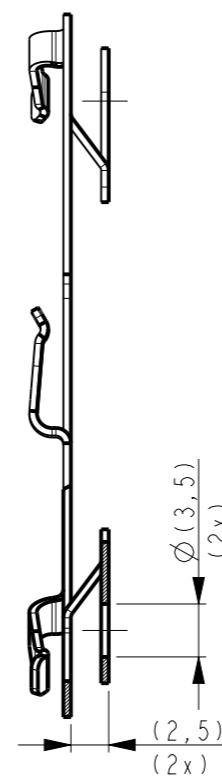
LOC	DIST	REVISIONS					
		P	LTR	DESCRIPTION	DATE	DWN	APVD
H	-		A	RELEASED PER ECR 13-005016	22MAR2013	PP	OL
			A1	REVISED PER ECR-14-000133	22JAN2014	YR	OL

NOTES:

1. MATERIAL: STAINLESS STEEL
2. MUST COMPLY WITH DIRECTIVE 2002/95/EC (ROHS)08 MAX.
3. TO BE USED INLINE WITH z50 ZHAGA COVERS.
4. TO BE USED OPTIC INTERFACE, SEE LAST SHEET.



SECTION Q-Q



PART NUMBER  
2213194-1

THIS DRAWING IS A CONTROLLED DOCUMENT.

DIMENSIONS:	TOLERANCES UNLESS OTHERWISE SPECIFIED:
mm	
	0 PLC ±-
	1 PLC ±-
	2 PLC ±-
	3 PLC ±-
	4 PLC ±-
	ANGLES ±-
MATERIAL -	FINISH -

DWN	P. POORTER	02NOV2012
CHK	O. LEIJNSE	06NOV2012
APVD	O. LEIJNSE	06NOV2012
PRODUCT SPEC	-	
APPLICATION SPEC	-	
WEIGHT	-	
CUSTOMER DRAWING		

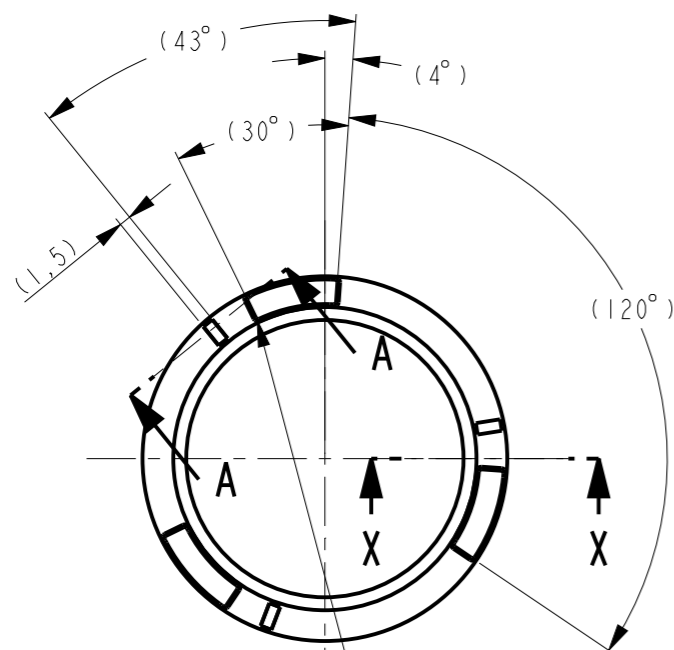
		TE Connectivity	
		NAME LUMAWISE LED HOLDER OPTIC CLIP Z50, TYPE I	
SIZE	CAGE CODE	DRAWING NO	RESTRICTED TO
A3	00779	C-2213194	-
SCALE 2:1		SHEET 1 OF 2	REV A1

THIS DRAWING IS UNPUBLISHED. RELEASED FOR PUBLICATION  
 © COPYRIGHT - BY TYCO ELECTRONICS CORPORATION. ALL RIGHTS RESERVED.

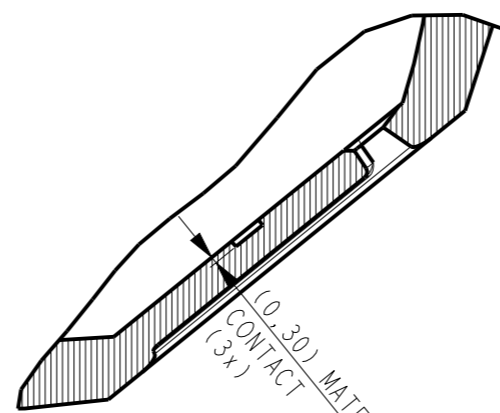
LOC	DIST	REVISIONS					
H	-	P	LTR	DESCRIPTION	DATE	DWN	APVD
				SEE SHEET 1			

### RECOMMENDED OPTIC INTERFACE:

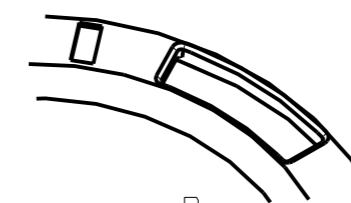
TOP VIEW



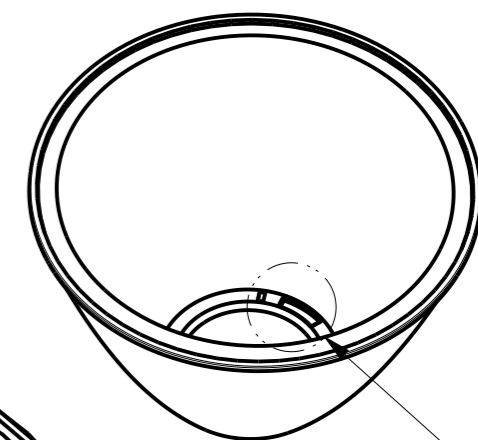
SCALE 1:1 CHAMFER 0.4 MIN. x 45°



SECTION A-A  
SCALE 3:1

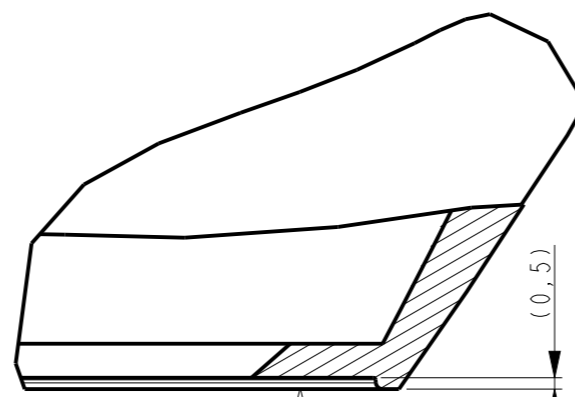
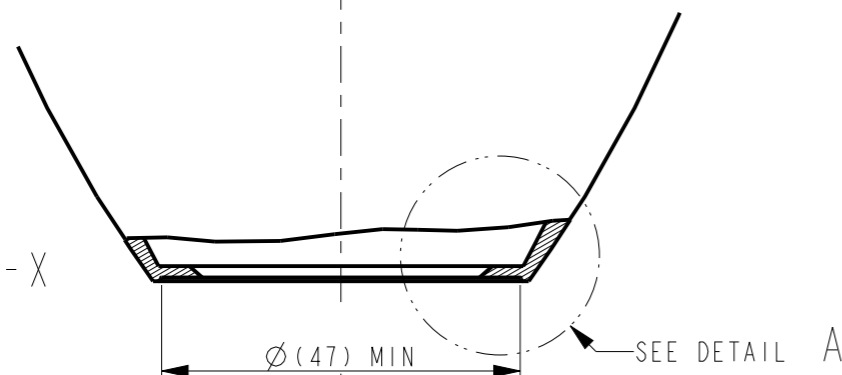


DETAIL B  
SCALE 2:1

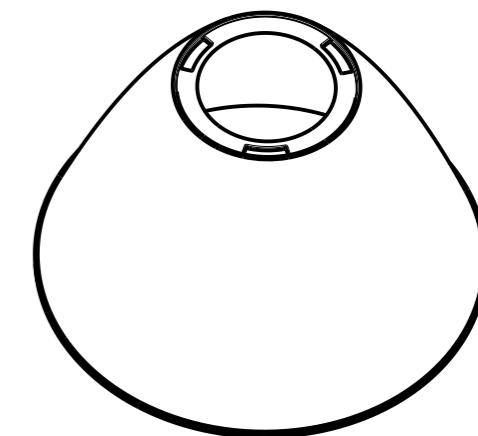


SEE DETAIL B

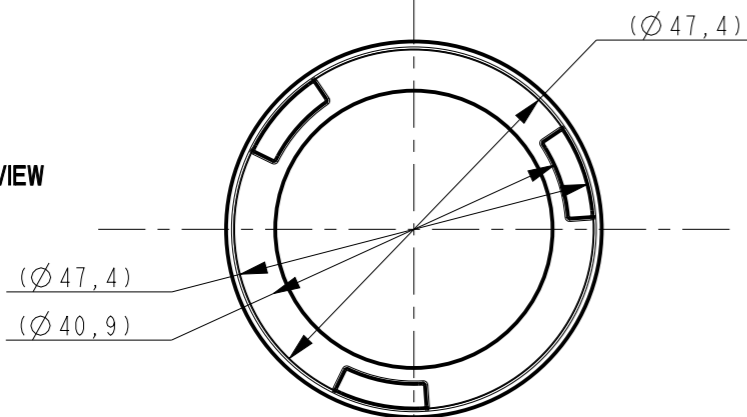
SECTION X-X



DETAIL A  
SCALE 3:1



BOTTOM VIEW



THIS DRAWING IS A CONTROLLED DOCUMENT.		DWN P. POORTER 02NOV2012	TE Connectivity	
DIMENSIONS: mm		CHK O. LEIJNSE 06NOV2012		
TOLERANCES UNLESS OTHERWISE SPECIFIED:		APVD O. LEIJNSE 06NOV2012	NAME LUMAWISE LED HOLDER OPTIC CLIP Z50, TYPE I	
0 PLC ±- 1 PLC ±- 2 PLC ±- 3 PLC ±- 4 PLC ±- ANGLES ±-		PRODUCT SPEC -	RESTRICTED TO	
MATERIAL -		FINISH -	APPLICATION SPEC -	SIZE A3
		WEIGHT -	CAGE CODE 00779	DRAWING NO C-2213194
		CUSTOMER DRAWING	SCALE 2:1	SHEET 2 OF 2
				REV A1