

THIS DRAWING IS UNPUBLISHED. RELEASED FOR PUBLICATION  
 © COPYRIGHT - BY TYCO ELECTRONICS CORPORATION. ALL RIGHTS RESERVED.

LOC	DIST	REVISIONS					
H	-	P	LTR	DESCRIPTION	DATE	DWN	APVD
			C	REVISED PER ECR-14-000978	22JAN2014	AB	OL
			D	REVISED PER ECR-14-008991	21JUL2014	PP	OL
			D1	REVISED PER ECR-14-012391	18AUG2014	FD	OL
			D2	REVISED PER ECR-18-007237	17MAY2018	SR	DD

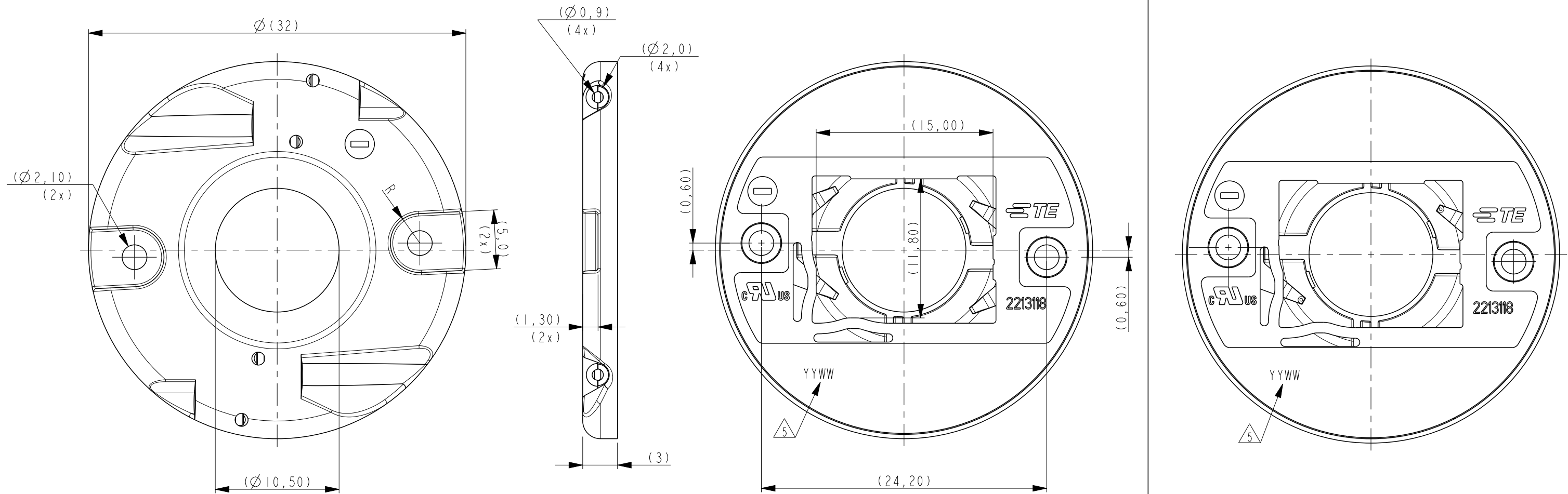
NOTES:


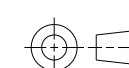
- MATERIALS:  
 - BASE & COVER: PBT,  
 COLOR: NATURAL,  
 - CONTACTS: COPPER ALLOY.
- FOR SOLID AND STRANDED WIRE AWG 22 - 20 USE.
- COMPLIES WITH DIRECTIVE 2002/95/EC (ROHS).
- SREWS TO BE USED: M2x6.

△ YEAR/WEEK CODING

P/N 2213118-1  
 2 PARALLEL CONTACT BEAM VERSION

P/N 2213118-2  
 SINGLE CONTACT BEAM VERSION



THIS DRAWING IS A CONTROLLED DOCUMENT.		DWN	P. POORTER	19JUL2012	 TE Connectivity	NAME		LUMAWISE LED HOLDER Z32 LOW PROFILE 1215				
DIMENSIONS: mm		CHK	O. LEIJNSE	19JUL2012		PRODUCT SPEC		108-133006				
		APVD	O. LEIJNSE	19JUL2012		APPLICATION SPEC		114-32045				
TOLERANCES UNLESS OTHERWISE SPECIFIED: 0 PLC ±- 1 PLC ±- 2 PLC ±- 3 PLC ±- 4 PLC ±- ANGLES ±- FINISH -		MATERIAL		WEIGHT		SIZE	A3	CAGE CODE	00779			
		Customer Drawing		SCALE		3:1	SHEET	1	OF	2	REV	D2

THIS DRAWING IS UNPUBLISHED.

RELEASED FOR PUBLICATION

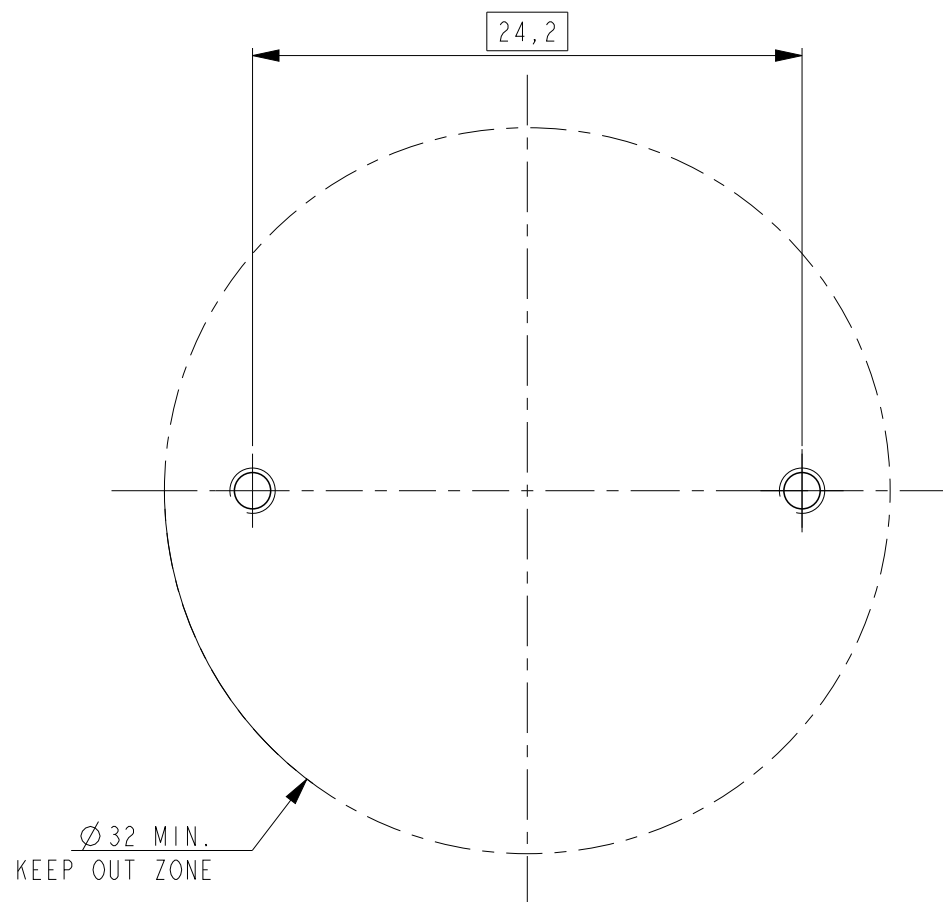
© COPYRIGHT - BY TYCO ELECTRONICS CORPORATION. ALL RIGHTS RESERVED.

LOC H DIST -

REVISIONS

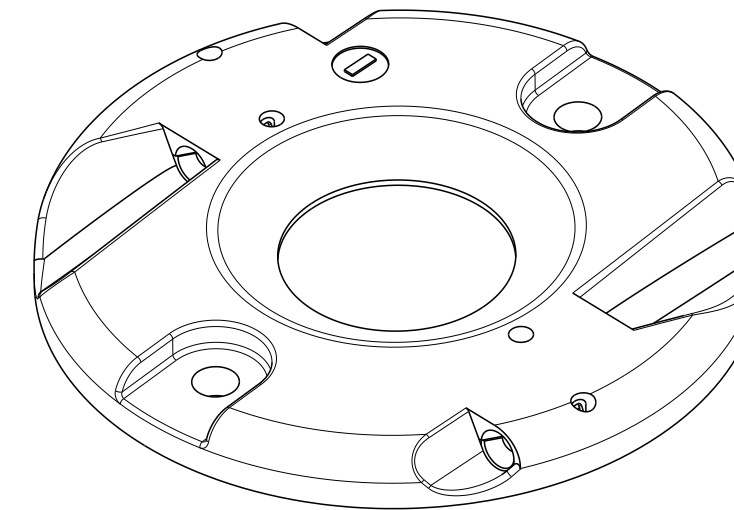
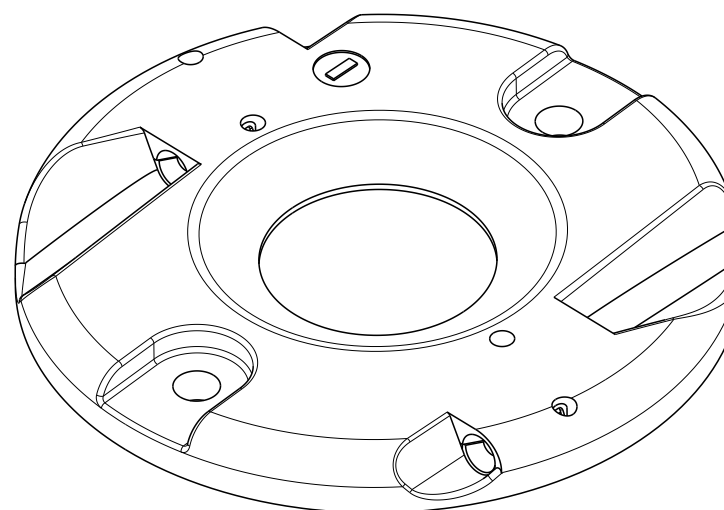
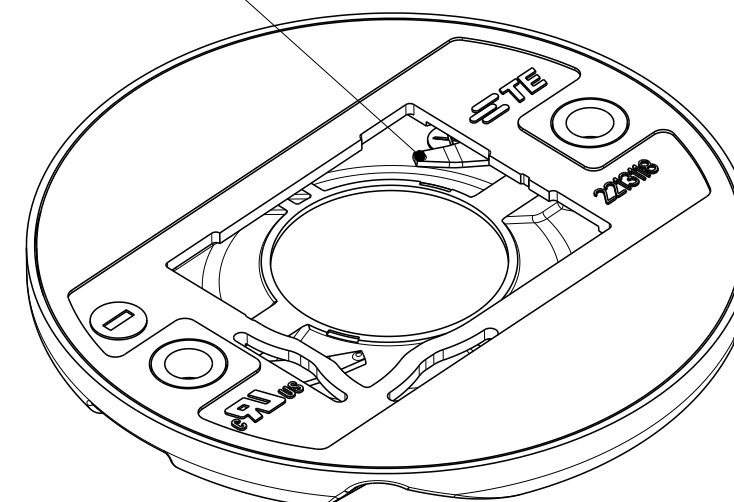
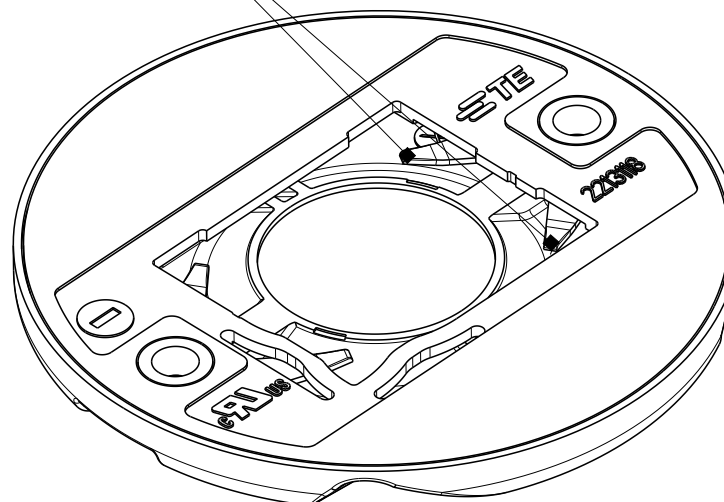
P	LTR	DESCRIPTION	DATE	DWN	APVD
	-	SEE SHEET 1	-	-	-

### RECOMMENDED DRILLING HOLE PATTERN



P/N 2213118-1  
2 paralel contacts

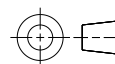
P/N 2213118-2  
single contact



RELEASED LEDs		
NAME	TYPE	TE PART NUMBER
LUMILEDS	1215	2213118-2
SHARP	MINI ZENIGATA	2213118-1

THIS DRAWING IS A CONTROLLED DOCUMENT.

DIMENSIONS:  
mm



TOLERANCES UNLESS OTHERWISE SPECIFIED:

- 0 PLC ±-
- 1 PLC ±-
- 2 PLC ±-
- 3 PLC ±-
- 4 PLC ±-
- ANGLES ±-
- FINISH -

MATERIAL -

DWN P. POORTER 19JUL2012

CHK O. LEIJNSE 19JUL2012

APVD O. LEIJNSE 19JUL2012

PRODUCT SPEC 108-133006

APPLICATION SPEC 114-32045

WEIGHT -

Customer Drawing



NAME LUMAWISE LED HOLDER Z32  
LOW PROFILE 1215

SIZE	CAGE CODE	DRAWING NO	RESTRICTED TO
------	-----------	------------	---------------

A3	00779	C-2213118	-
----	-------	-----------	---

SCALE 3:1	SHEET 2 OF 2	REV D2
-----------	--------------	--------