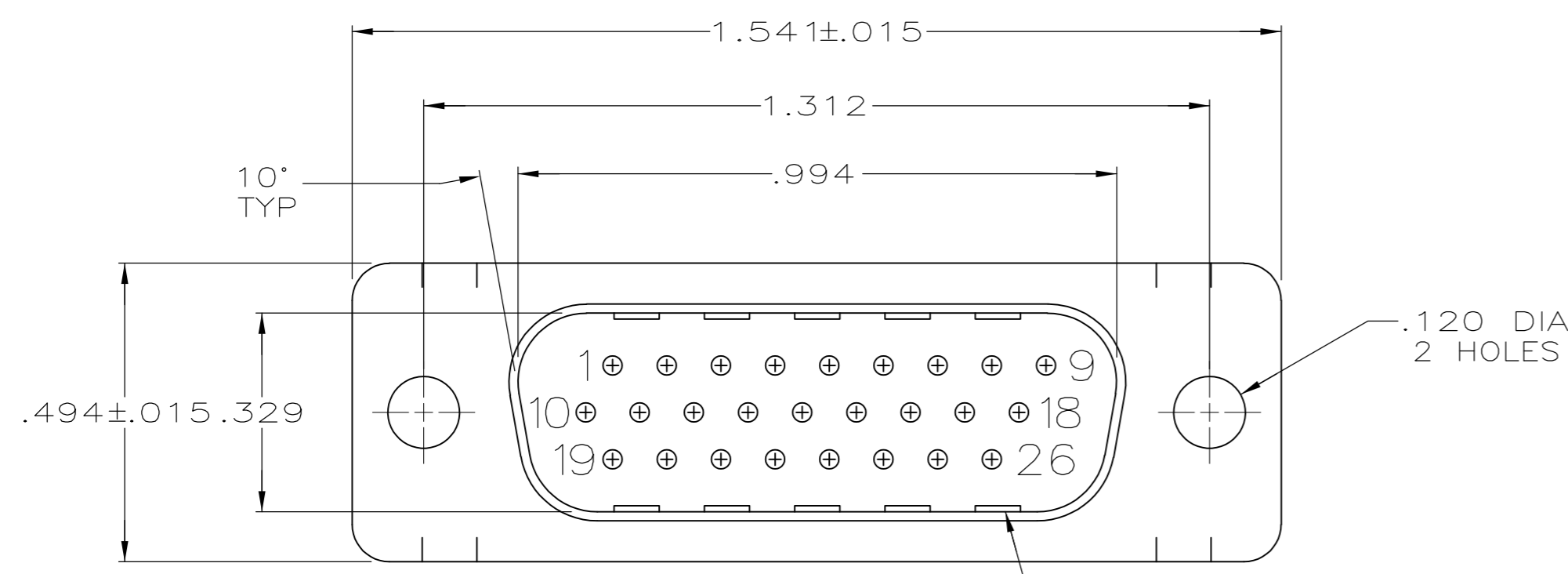
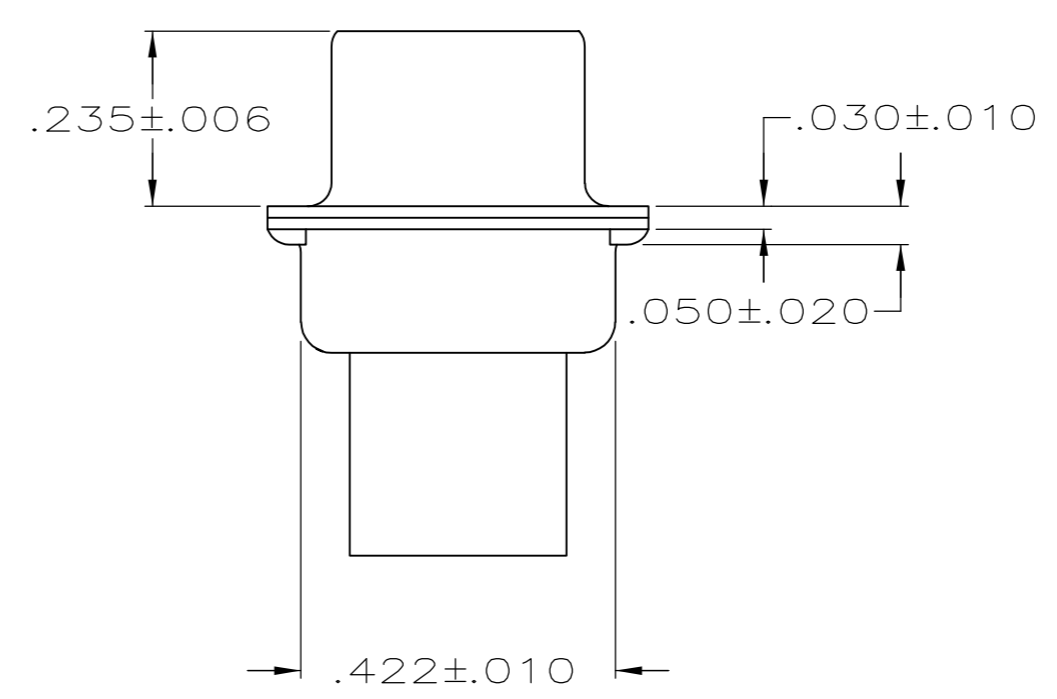
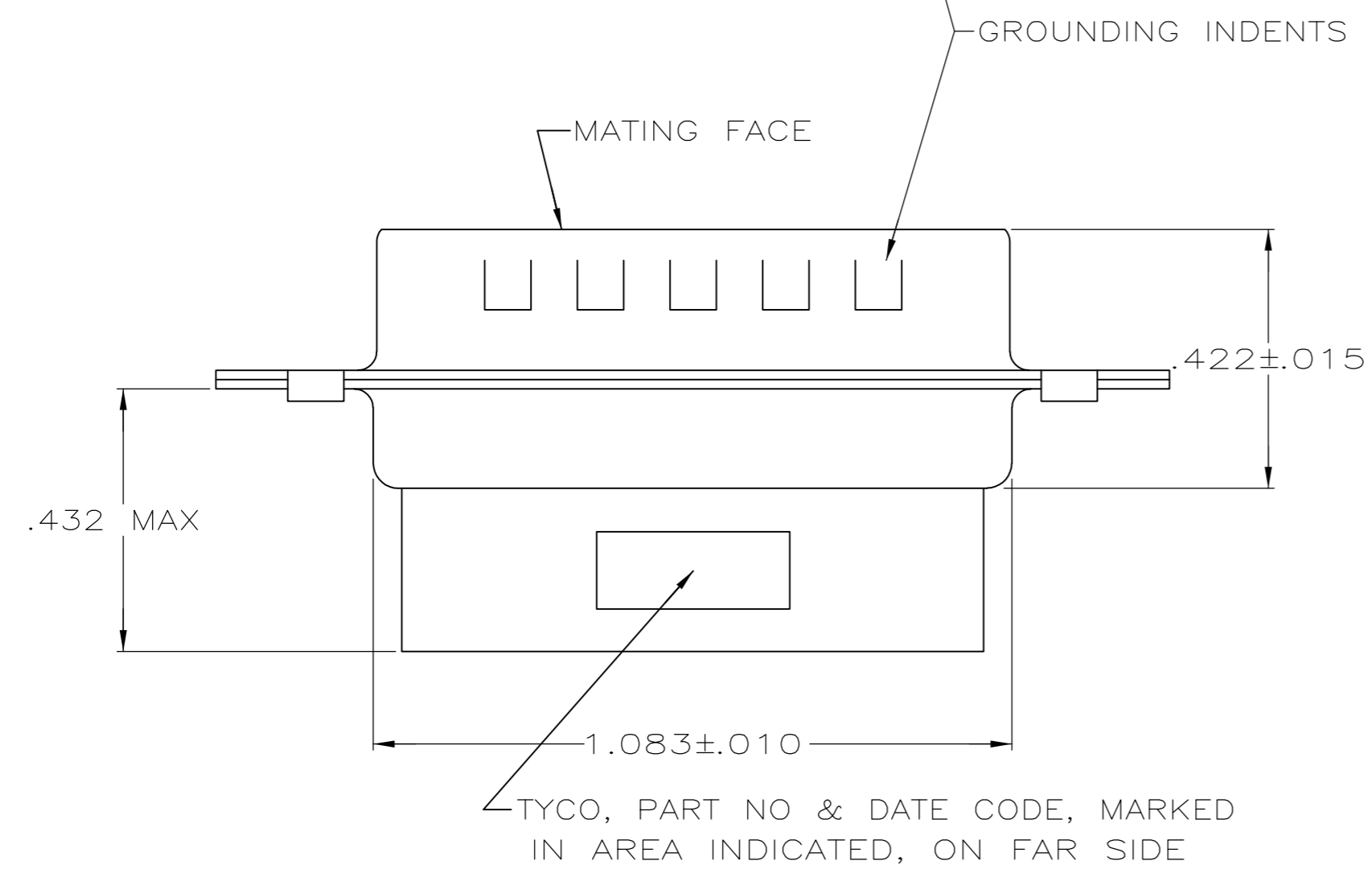


THIS DRAWING IS UNPUBLISHED. RELEASED FOR PUBLICATION
 © COPYRIGHT - By - ALL RIGHTS RESERVED.

LOC	DIST	REVISIONS			
P	LTR	DESCRIPTION	DATE	DWN	APVD
GP	00				
P		REVISED PER ECO-11-004835	11MAR11	RK	HMR



- 1. CONNECTOR ACCEPTS 22 DF PIN CONTACTS, RETENTION TINES ARE AN INTEGRAL PART OF INSERT.
- 2. FLAME RETARDANT 94V-0 RATED GLASS FILLED NYLON, COLOR: BLACK.
- 3. CARBON STEEL.
- 4. .000200 MIN. TIN PLATE OVER .00100. MIN. COPPER UNDERPLATE.



1658671-1
PART NUMBER

THIS DRAWING IS A CONTROLLED DOCUMENT.		DWN L. BAUM 02JAN04																
DIMENSIONS: INCHES		CHK S. BOLASH 02JAN04																
TOLERANCES UNLESS OTHERWISE SPECIFIED:		APVD M. WALMSLEY 02JAN04	NAME PLUG ASSEMBLY, SIZE 2, 26 POSN, HDP-22, AMPLIMITE®															
<table border="1"> <tr><td>0 PLC</td><td>± -</td></tr> <tr><td>1 PLC</td><td>± -</td></tr> <tr><td>2 PLC</td><td>± -</td></tr> <tr><td>3 PLC</td><td>± .005</td></tr> <tr><td>4 PLC</td><td>± -</td></tr> <tr><td>ANGLES</td><td>± 2°</td></tr> </table>		0 PLC	± -	1 PLC	± -	2 PLC	± -	3 PLC	± .005	4 PLC	± -	ANGLES	± 2°	PRODUCT SPEC 108-1268	SIZE A2	CAGE CODE 00779	DRAWING NO C=1658671	RESTRICTED TO -
0 PLC	± -																	
1 PLC	± -																	
2 PLC	± -																	
3 PLC	± .005																	
4 PLC	± -																	
ANGLES	± 2°																	
MATERIAL		APPLICATION SPEC 114-10001	SCALE 4:1		SHEET 1 of 1	REV P												
MOLDED PARTS: SHELLS:		WEIGHT -	CUSTOMER DRAWING															

1658671