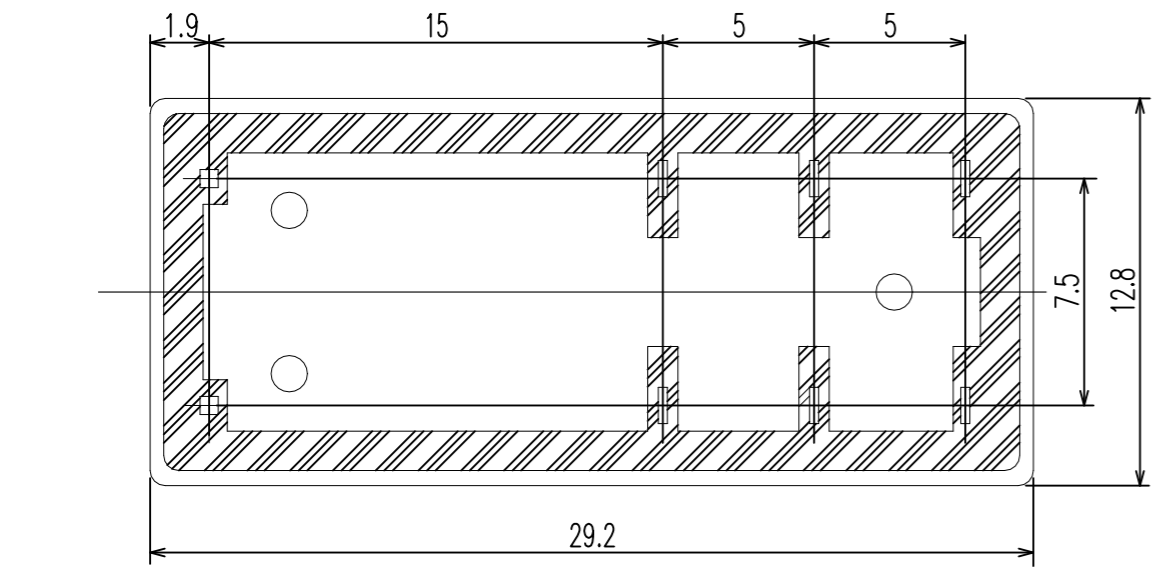
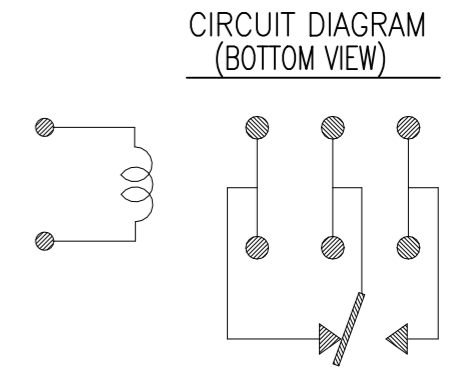
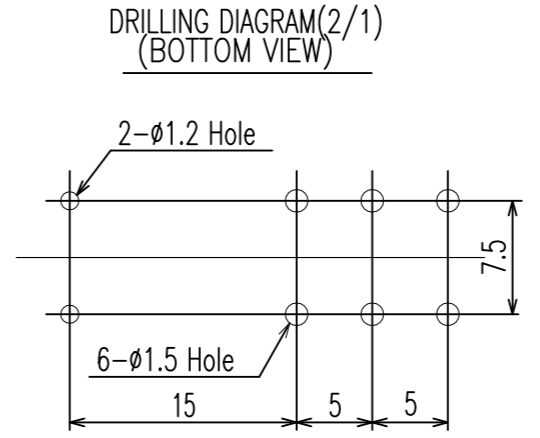
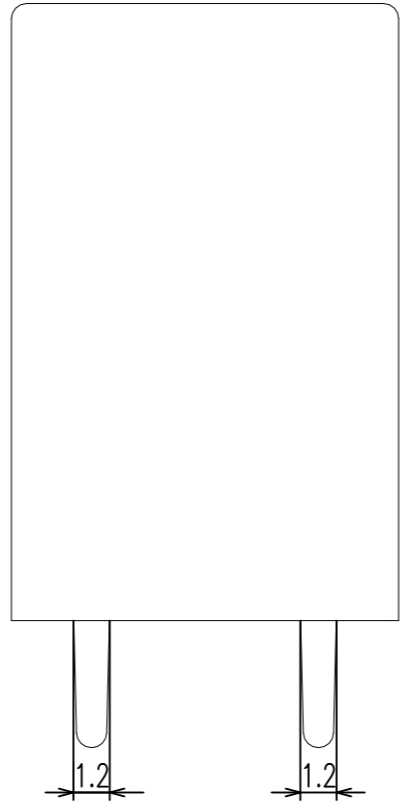
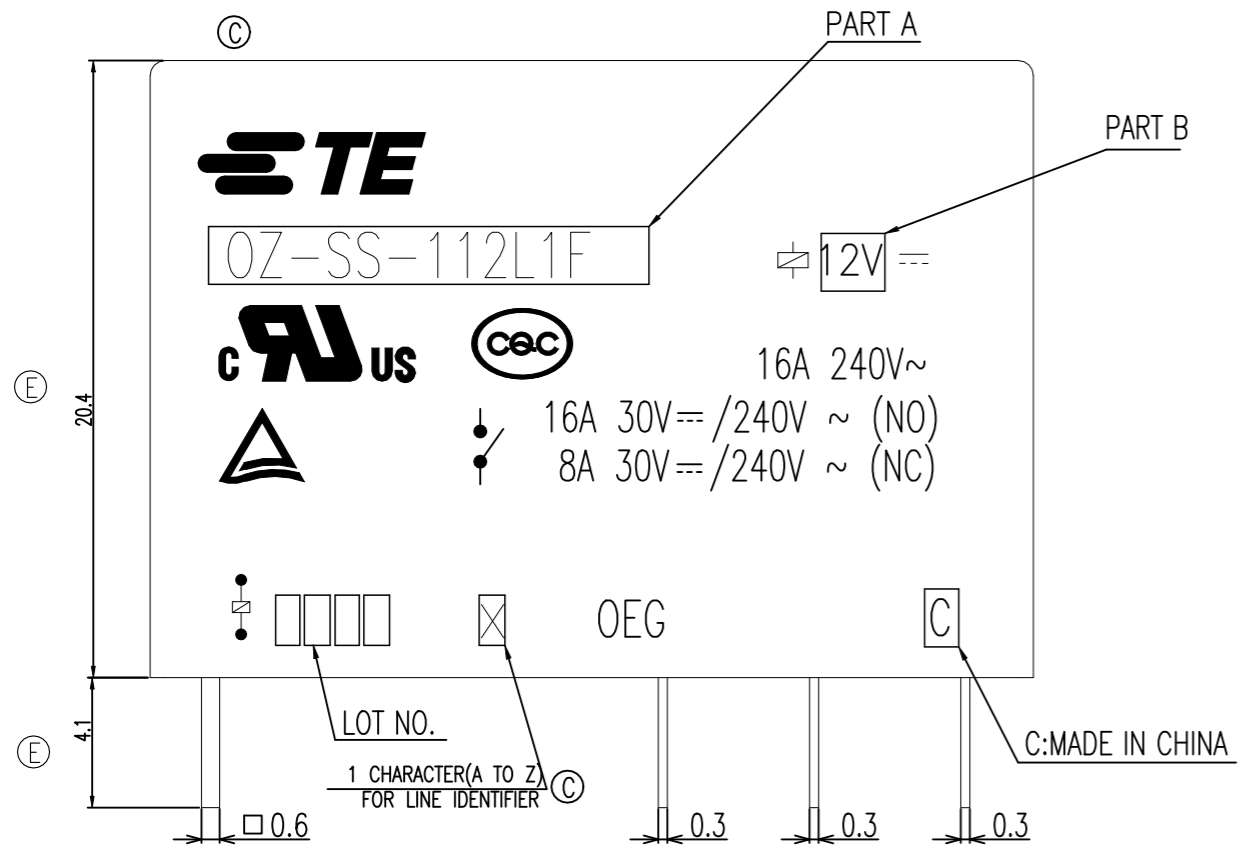
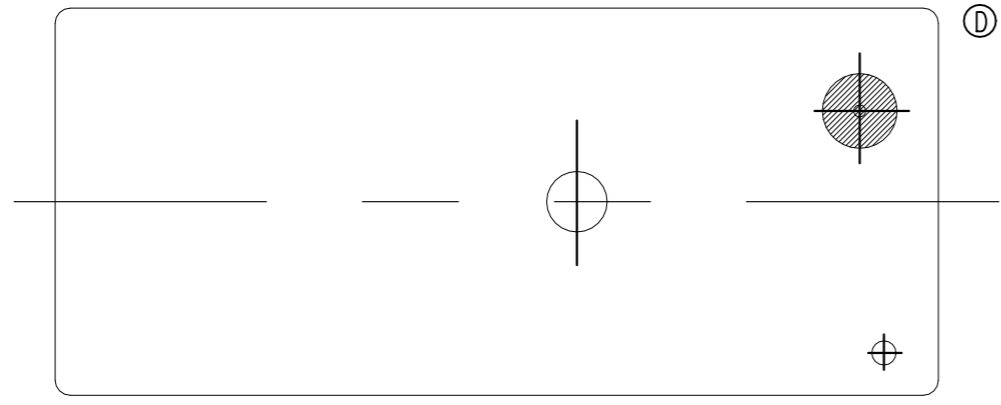


REVISIONS					
P	LTR	DESCRIPTION	DATE	DWN	APVD
E		DIMENSION CHANGE	ECO-21-004260	10-JUN-21	XR.L K.T

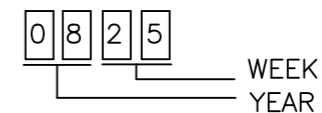


THIS DRAWING IS A CONTROLLED DOCUMENT.		DWN N.FUNAYAMA	TE TE Connectivity		
DIMENSIONS: mm		CHK T.FUKAYA			
TOLERANCES UNLESS OTHERWISE SPECIFIED:		APVD MJ.HO	NAME		
0 PLC ± -		PRODUCT SPEC	OZ CUSTOMER DRAWING		
1 PLC ± -		APPLICATION SPEC	RESTRICTED TO		
2 PLC ± -		SIZE	CAGE CODE	DRAWING NO	
3 PLC ± -		WEIGHT	A3	00779	C-1649399
4 PLC ± -		CUSTOMER DRAWING			
ANGLES ± -		SCALE	SHEET	REV	
FINISH		1:1	1 OF 2	E	

REVISIONS					
P	LTR	DESCRIPTION	DATE	DWN	APVD
-	-	SEE SHEET 1	-	-	-

NOTES:

1.LOT NO. SYSTEM AS FOLLOWING:



2.GENERAL TOLERANCE AS FOLLOWING:

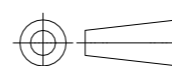
TOLERANCE	
0~0.99mm	±0.1
1mm~2.99mm	±0.2
3mm MIN.	±0.3

3.TERMINAL DIMENSION IS NOT INCLUDING SOLDER TIP.

④ 4.FOR THE TIN-PLATING OF THE PINS:
+0.1mm FOR WIDTH,THICKNESS AND DIAMETER.
+0.5mm FOR LENGTH.

3-1649399-0	OZ-SH-148D1	48V	OZ-SH-148D1
2-1649399-9	OZ-SH-124D1	24V	OZ-SH-124D1
2-1649399-8	OZ-SH-118D1	18V	OZ-SH-118D1
2-1649399-7	OZ-SH-112D1	12V	OZ-SH-112D1
2-1649399-6	OZ-SH-109D1	9V	OZ-SH-109D1
2-1649399-5	OZ-SH-106D1	6V	OZ-SH-106D1
2-1649399-4	OZ-SH-105D1	5V	OZ-SH-105D1
2-1649399-3	OZ-SS-148D1	48V	OZ-SS-148D1
2-1649399-2	OZ-SS-124D1	24V	OZ-SS-124D1
2-1649399-1	OZ-SS-118D1	18V	OZ-SS-118D1
2-1649399-0	OZ-SS-112D1	12V	OZ-SS-112D1
1-1649399-9	OZ-SS-109D1	9V	OZ-SS-109D1
1-1649399-8	OZ-SS-106D1	6V	OZ-SS-106D1
1-1649399-7	OZ-SS-105D1	5V	OZ-SS-105D1
1-1649399-6	OZ-SH-148L1	48V	OZ-SH-148L1
1-1649399-5	OZ-SH-136L1	36V	OZ-SH-136L1
1-1649399-4	OZ-SH-124L1	24V	OZ-SH-124L1
1-1649399-3	OZ-SH-118L1	18V	OZ-SH-118L1
1-1649399-2	OZ-SH-112L1	12V	OZ-SH-112L1
1-1649399-1	OZ-SH-109L1	9V	OZ-SH-109L1
1-1649399-0	OZ-SH-106L1	6V	OZ-SH-106L1
1649399-9	OZ-SH-105L1	5V	OZ-SH-105L1
1649399-8	OZ-SS-148L1	48V	OZ-SS-148L1
1649399-7	OZ-SS-136L1	36V	OZ-SS-136L1
1649399-6	OZ-SS-124L1	24V	OZ-SS-124L1
1649399-5	OZ-SS-118L1	18V	OZ-SS-118L1
1649399-4	OZ-SS-112L1	12V	OZ-SS-112L1
1649399-3	OZ-SS-109L1	9V	OZ-SS-109L1
1649399-2	OZ-SS-106L1	6V	OZ-SS-106L1
1649399-1	OZ-SS-105L1	5V	OZ-SS-105L1
PART NO	EC TYPE NAME	PART B	PART A

RELAY TYPE



THIS DRAWING IS A CONTROLLED DOCUMENT.		DWN N.FUNAYAMA	10JUN2021	TE Connectivity													
		CHK T.FUKAYA	-														
DIMENSIONS: mm		TOLERANCES UNLESS OTHERWISE SPECIFIED:		NAME -													
<table border="0"> <tr><td>0 PLC</td><td>± -</td></tr> <tr><td>1 PLC</td><td>± -</td></tr> <tr><td>2 PLC</td><td>± -</td></tr> <tr><td>3 PLC</td><td>± -</td></tr> <tr><td>4 PLC</td><td>± -</td></tr> <tr><td>ANGLES</td><td>± -</td></tr> </table>		0 PLC	± -	1 PLC	± -	2 PLC	± -	3 PLC	± -	4 PLC	± -	ANGLES	± -	APVD MJ.HO		PRODUCT SPEC -	
		0 PLC	± -														
		1 PLC	± -														
		2 PLC	± -														
3 PLC	± -																
4 PLC	± -																
ANGLES	± -																
MATERIAL -		FINISH -		APPLICATION SPEC -													
		WEIGHT -		SIZE A3	CAGE CODE 00779												
				DRAWING NO C-1649399													
				RESTRICTED TO -													
CUSTOMER DRAWING				SCALE 1:1	SHEET 2 OF 2												
				REV E													

INCOMBUSTIBILITY	TREATMENT	MATERIAL	DESCRIPTION	ITEM
		UV RESIN	UV SEAL	17
		EPOXY RESIN	SEAL	16
		Cu ALLOY	HINGE SPRING	15
UL94 V-0		PBT	CASE	14
		POLYURETHANE COPPER WIRE	MAGNETIC WIRE	13
UL94 V-0		PET	BASE	12
UL94 V-0		PBT	BOBBIN	11
	SOLDER DIP	HCP WIRE	COIL TERMINAL	10
UL94 V-0		PPS	CARD	9
		Ag ALLOY	MOVABLE CONTACT	8
		Ag ALLOY	STATIONARY CONTACT	7
	SOLDER DIP	Cu ALLOY	NC TERMINAL	6
	SOLDER DIP	Cu ALLOY	MOVABLE SPRING	5
	SOLDER DIP	Cu ALLOY	NO TERMINAL	4
	Ni PLATED	STEEL	CORE	3
	Ni PLATED	STEEL	ARMATURE	2
	Ni PLATED	STEEL	YOKE	1